


EXTERIOR PANEL KIT FOR BUILT-IN CEILING INSTALLATION WITH DUCTED OUTLET LC0618/LC0622

This instruction is an integral part of the booklet of the appliance on which the KIT is installed. Please consult this booklet for **GENERAL WARNINGS** and **FUNDAMENTAL SAFETY RULES**.

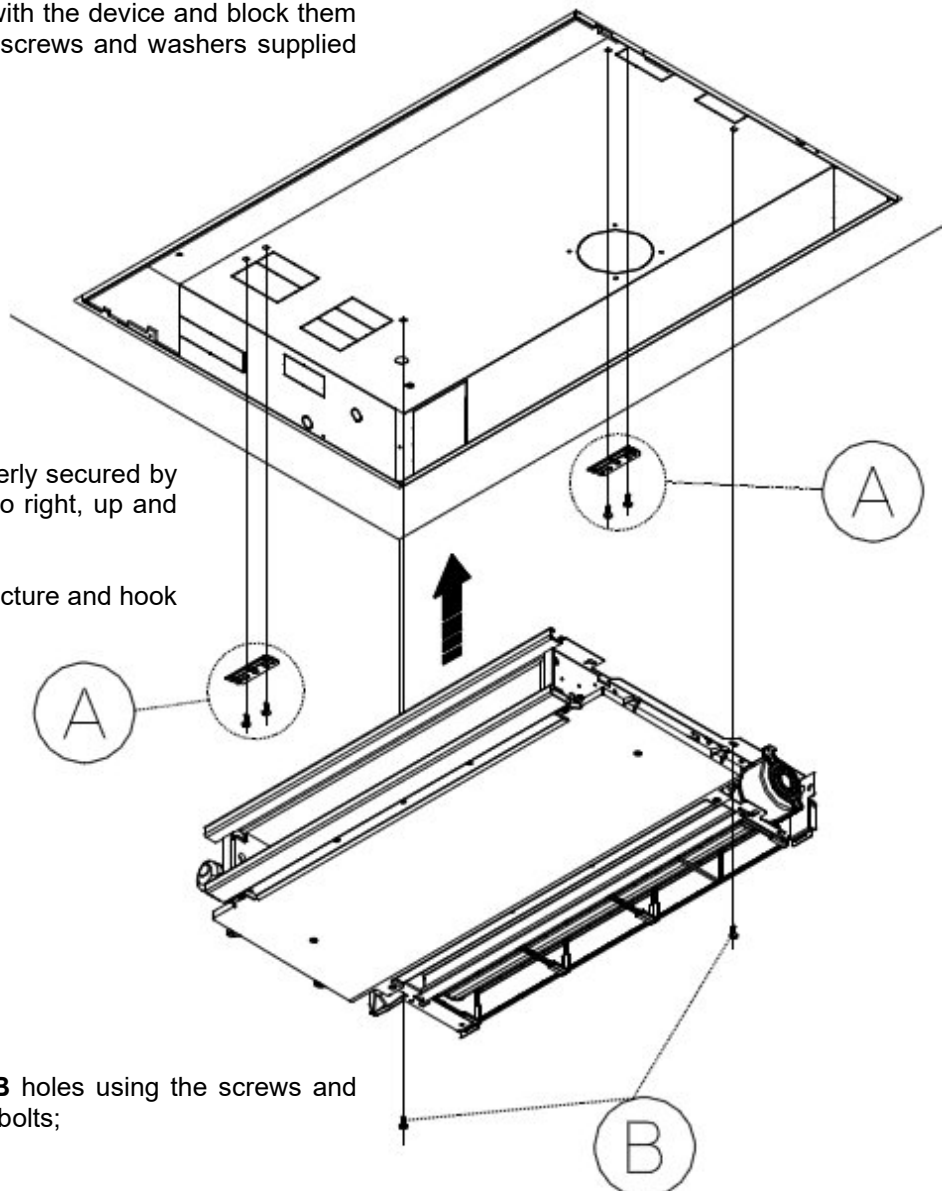
 All the operations must be performed by qualified personnel using the required **PERSONAL PROTECTIVE EQUIPMENT**.

 The kit can only be installed in a **HORIZONTAL POSITION WITH DUCTED OUTLET**. For installations in a **VERTICAL POSITION WITH FREE OUTLET**, an **EXTERIOR PANEL KIT FOR BUILT-IN INSTALLATION WITH FREE OUTLET LC0578/LC0582** must be purchased.

 Before installing the device, check that all necessary water and electrical connections have been set up **inside the metal structure**.

INSTALLATION OF DEVICE IN METAL STRUCTURE SECURED DIRECTLY TO THE CEILING:

- Toggle bolts with diameter 8mm must be inserted in the openings **A** and **B** when installing the metal structure. Install the two fixing brackets supplied with the device and block them through the 4 **A** holes using the screws and washers supplied with the toggle bolts;



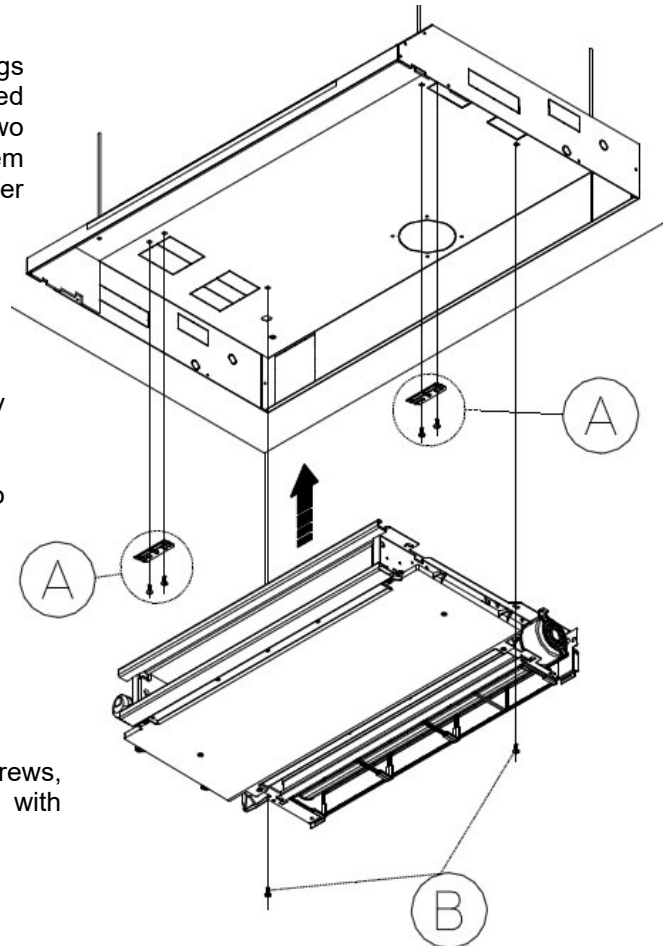
- Check that the brackets are properly secured by manually shifting them from left to right, up and down;
- Install the device in the metal structure and hook it onto the brackets;

- Block the device through the 2 **B** holes using the screws and washers supplied with the toggle bolts;
- Check the stability of the device.

INSTALLATION OF DEVICE IN METAL STRUCTURE SECURED USING ANCHORS DETACHED FROM THE CEILING:

- On the metal structure in correspondence with openings **A** and **B**, there should be M6 CAGE NUTS, installed during the installation of the structure itself. Install the two fixing brackets supplied with the device and block them through the 4 **A** holes using the M6 screws, the Grower elastic washers and the washers supplied with BUILT-IN INSTALLATION KITS L00568 / L00572;

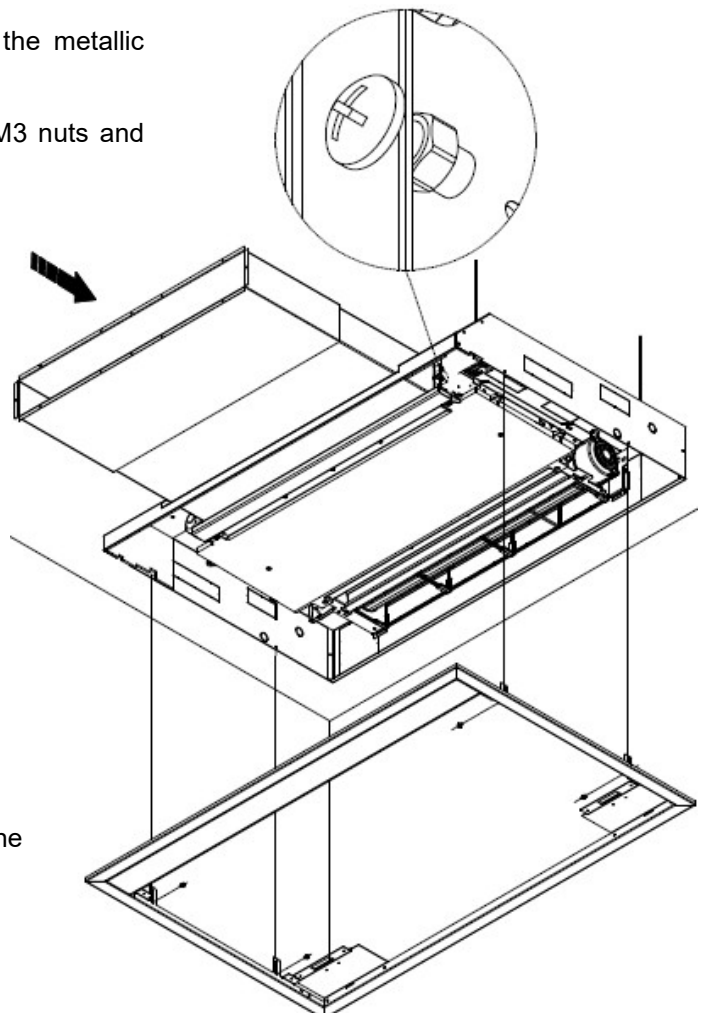
- Check that the brackets are properly secured by manually shifting them from left to right, up and down;
- Install the device in the metal structure and hook it onto the brackets;



- Block the device through the 2 **B** holes using the M6 screws, Grower elastic washers and the washers supplied with BUILT-IN INSTALLATION KITS L00568/L00572;
- Check the stability of the device.

INSTALLATION OF TELESCOPIC AIR OUTLET DUCT DB0160/DB0164;

- Insert the telescopic air duct into the opening of the metallic structure;
- Secure the duct to the device using the supplied M3 nuts and screws.

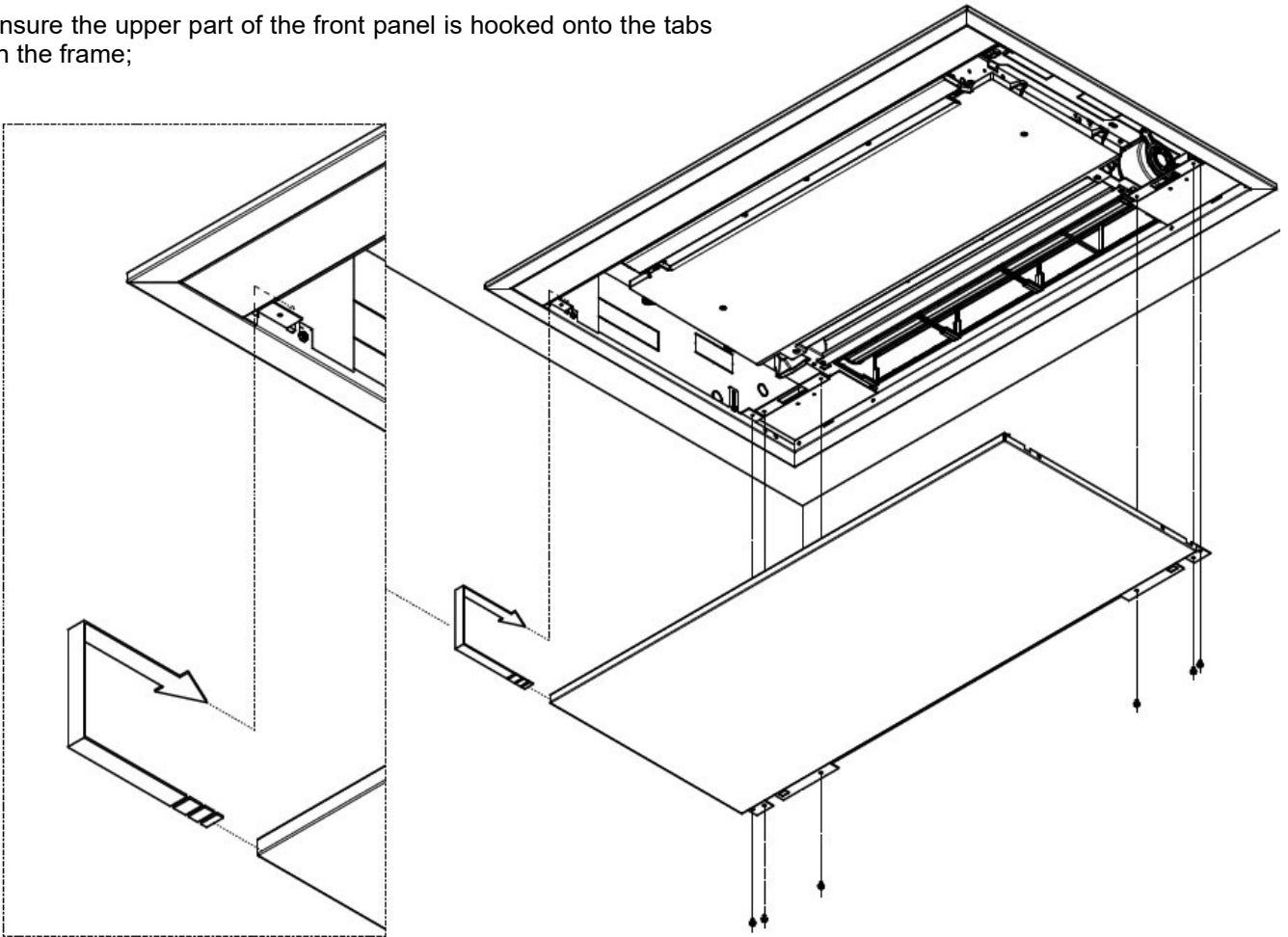


INSTALLATION OF EXTERIOR FRAME:

- Position the exterior frame near the built-in structure;
- Position it in such a way that it adheres to the wall;
- Secure it to the sides of the built-in structure using the 4 self-threading screws supplied with the kit.

INSTALLATION OF EXTERIOR FRONT PANEL:

- Position the exterior front panel near the built-in structure;
- Ensure the upper part of the front panel is hooked onto the tabs on the frame;

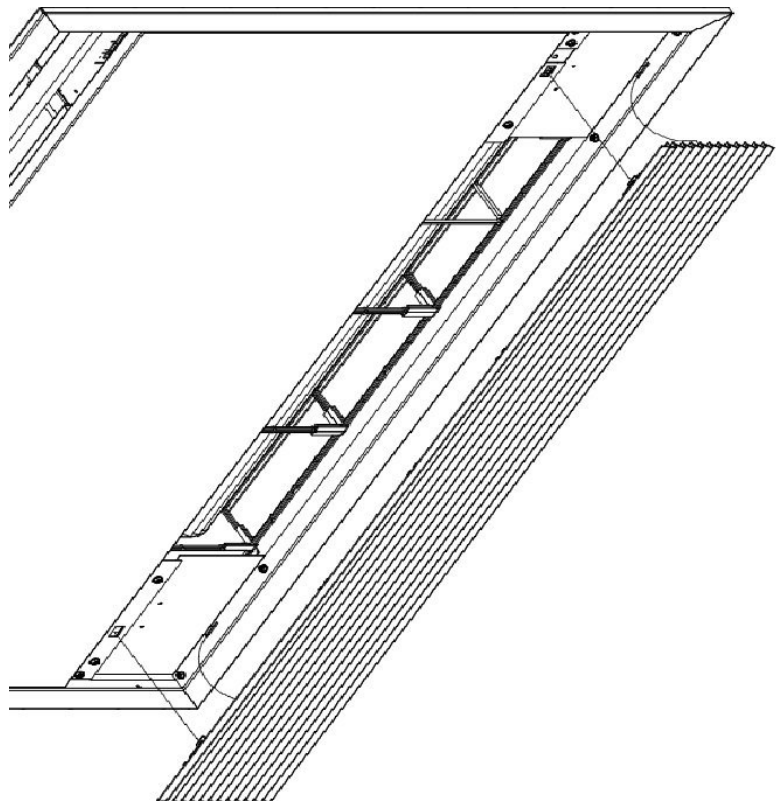


- Screw in the lower part of the panel using the 6 self-threading screws supplied with the kit.

INSTALLATION OF INTAKE GRILL:

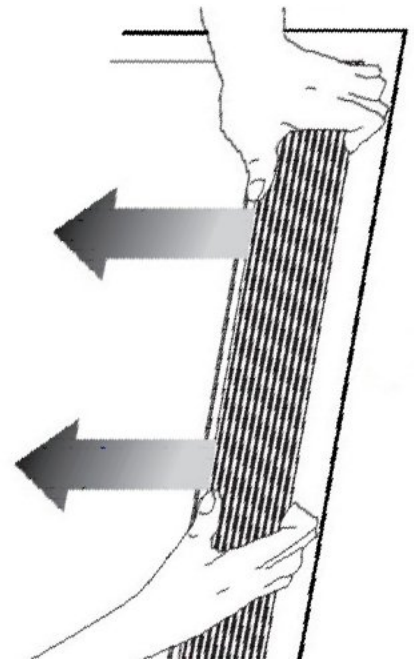
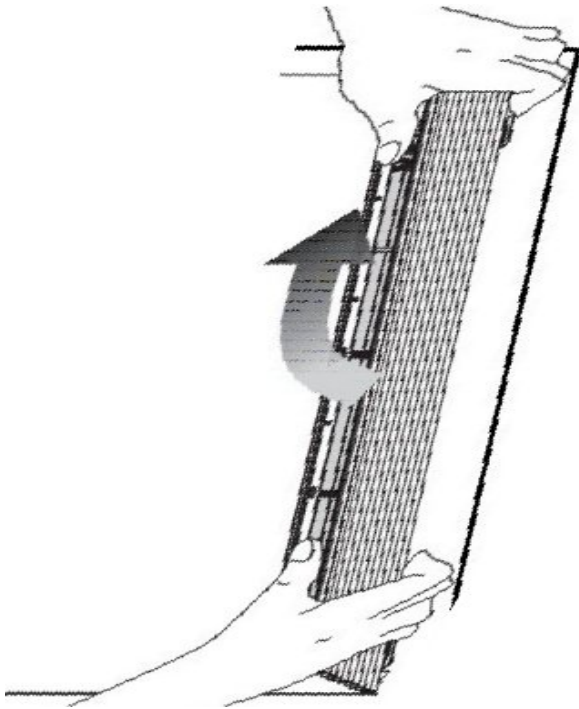
⚠ Install the front grill safety supports following the instructions reported in the relevant paragraph of the handbook supplied with the device.

- Position the intake grill near the built-in structure;
- Insert the two tabs in the designated slots on the lower part of the frame;
- Close the grill by turning it until the upper teeth are locked in.



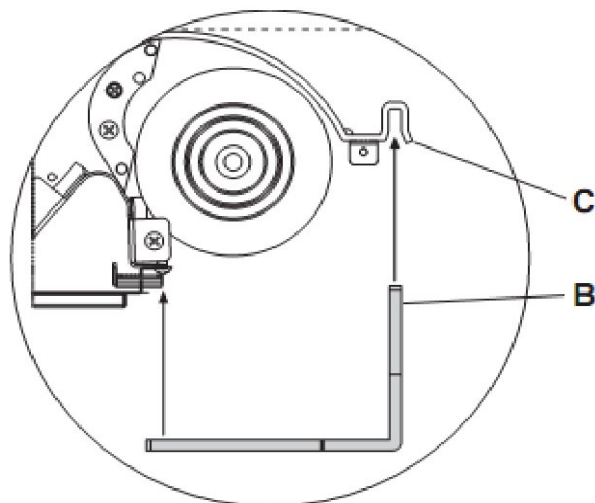
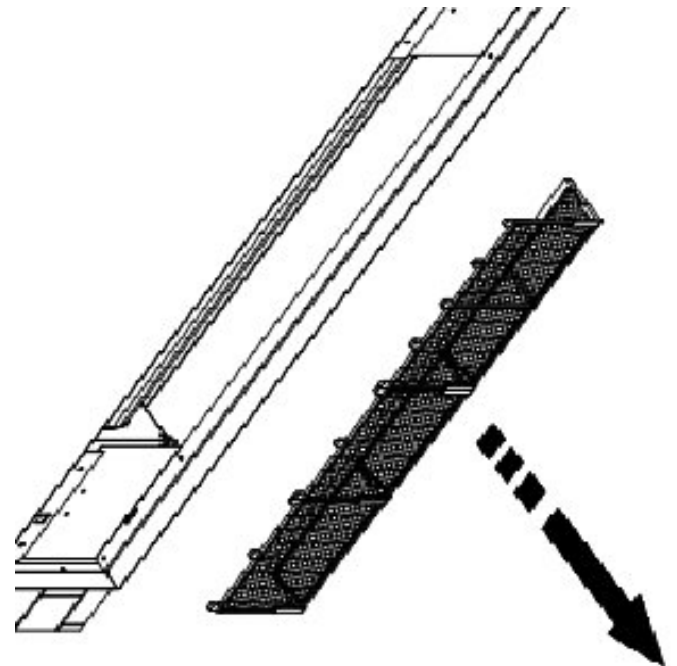
CLEANING THE NETWORK FILTER:

- Remove the front grill by lifting it slightly;



- Turn it until it completely lifts out of its housing;

- Extract the filters in a downward vertical direction and carry out the cleaning operations in accordance with the maintenance instructions supplied with the device;



- Replace the filters, taking particular care to insert the lower edge (B) into its housing (C);

- Close the grill again by turning it until the upper teeth are locked in.