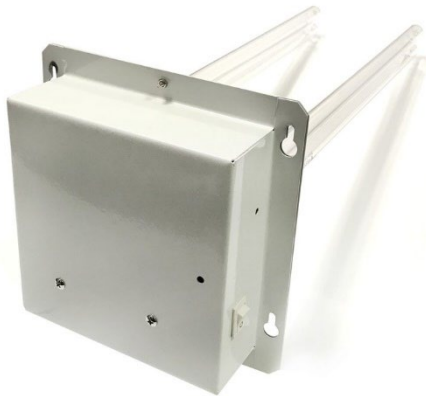


# UV LAMPS FOR AIR TREATMENT SYSTEMS

DATA SHEET

## UVC

### UV lamps for air treatment systems



## GENERAL FEATURES

### STRUCTURE

Structure in painted steel



### POWER SUPPLY

Built-in long life power supply



### ON OFF SELECTOR

On off selector for maintenance



### PLUG AND PLAY

The module provides for quick installation and easy connection to the power grid;

## UNIT CONFIGURATION

	-1-	-2-
UVC	01	S.

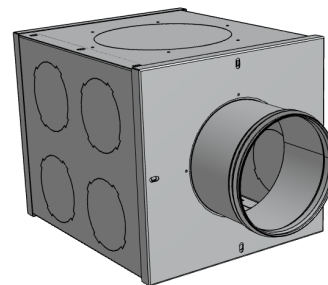
<p><b>(1) Defines the size</b> Models 01 to 04</p>	<p><b>2) Type of installation</b> S: UV unit complete with power supply and mounting box B: UV unit installed in AIR BOX with circular diameters</p>
--	--

The installation possibilities of the unit are illustrated below:

### VERSIONS S - UVR UV PLUG AND PLAY SYSTEM FOR FREE INSTALLATION



### VERSIONS B - UVR COMPLETE WITH BOX WITH CIRCULAR ATTACHMENTS FOR IN-LINE INSTALLATION



The unit is supplied complete with box, insulated with insulating material  
Installation takes place through in-line positioning on existing channels

### OPERATION DESCRIPTION

UV-C light inhibits the growth and reproduction of germs and bacteria that circulate through a home's ventilation system. The treatment is a safe, silent and proven way to make the ventilation system even more filtered and free from germs and bacteria,

Ultraviolet light is part of the light spectrum, which is classified into three wavelength ranges: UV-C, from 100 nanometers (nm) to 280 nm; UV-B, from 280 nm to 315 nm; and UV-A, from 315 nm to 400 nm. UV-C wavelengths ranging from 100 nm to 280 nm are germicidal.

Germicidal ultraviolet (UV-C) light deactivates the DNA of bacteria, viruses and other pathogens, destroying their ability to multiply and cause disease. In particular, UV-C light causes damage to the nucleic acid of microorganisms by forming covalent bonds between certain adjacent bases in the DNA. The formation of these bonds prevents the DNA from being decompressed for replication and the organism is unable to reproduce. In fact, when the organism tries to replicate itself, it dies.

The UV-C air and surface disinfection models contain one or more germicidal ultraviolet lamps. Germicidal lamps are low-pressure short-wave tubes that produce ultraviolet wavelengths that are lethal to microorganisms. About 95% of the ultraviolet energy emitted is 254 nanometers. This wavelength is in the region of maximum germicidal efficacy and is highly lethal to virus, bacteria and mold spores. When air passes through the UV-C purifier chamber or the surface is exposed to germicidal UV light, the genetic material of the microorganisms is deactivated, preventing them from reproducing and rendering them harmless.

UVC units are designed to emit powerful UVC light rays that sterilize and reduce microorganisms in the air as they pass through a heating, ventilation and air conditioning system. The version complete with box (B) amplifies the radiated intensity of the UVC lamp through the construction with highly reflective material;

This product is not sold as a medical device and is not intended to diagnose any disease or condition or to use it in the mitigation, treatment or prevention of any disease or condition.

### PERFORMANCE UNIT

#### GENERAL TECHNICAL DATA

Size	01	02	03	04
------	----	----	----	----

#### PERFORMANCE DATA

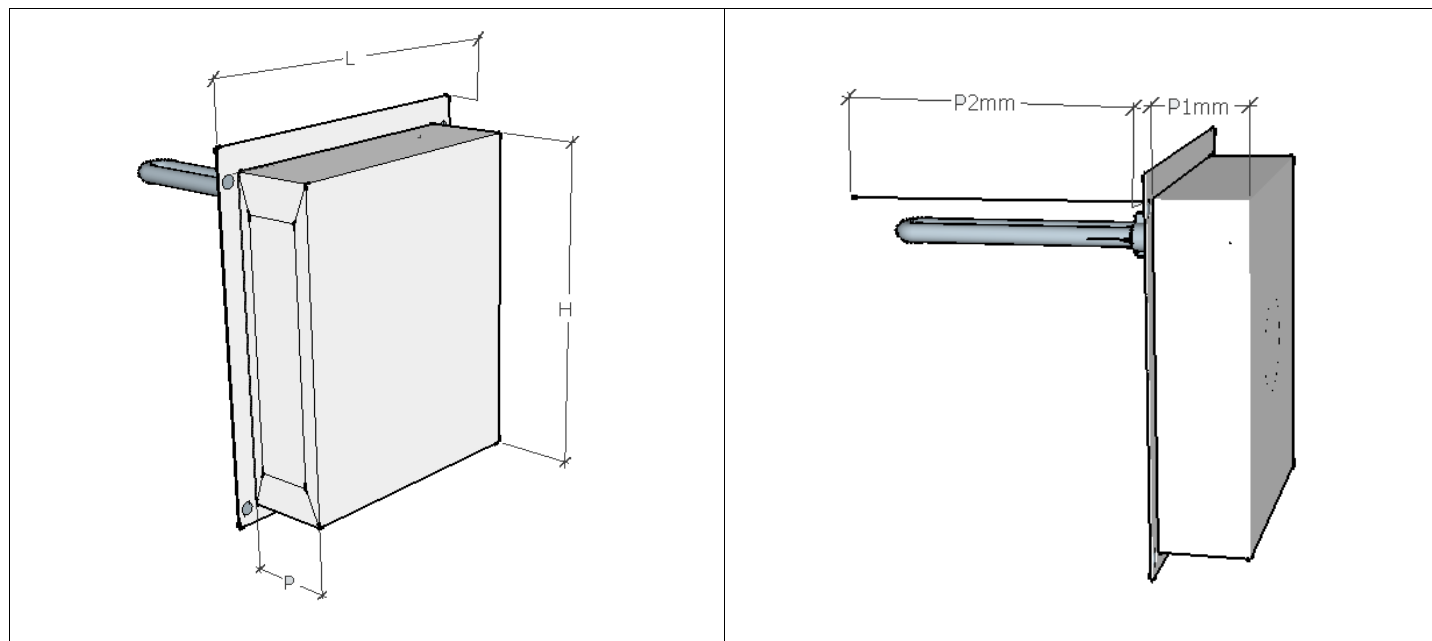
	mc / h	50	80	100	200
Nominal air flow min	mc / h	200	300	500	900
Nominal air flow max	mc / h	0.018	0.024	0.036	0.072
Max absorbed power	kW	0.09	0.11	0.15	0.31
Max absorbed current	TO				

#### ELECTRICAL DATA

Diet	V / Ph / Hz	230/1/50			
Max absorbed power	kW	0.018	0.024	0.036	0.072
Max absorbed current	TO	0.09	0.11	0.15	0.31

## DIMENSIONAL DATA

### VERSIONS S



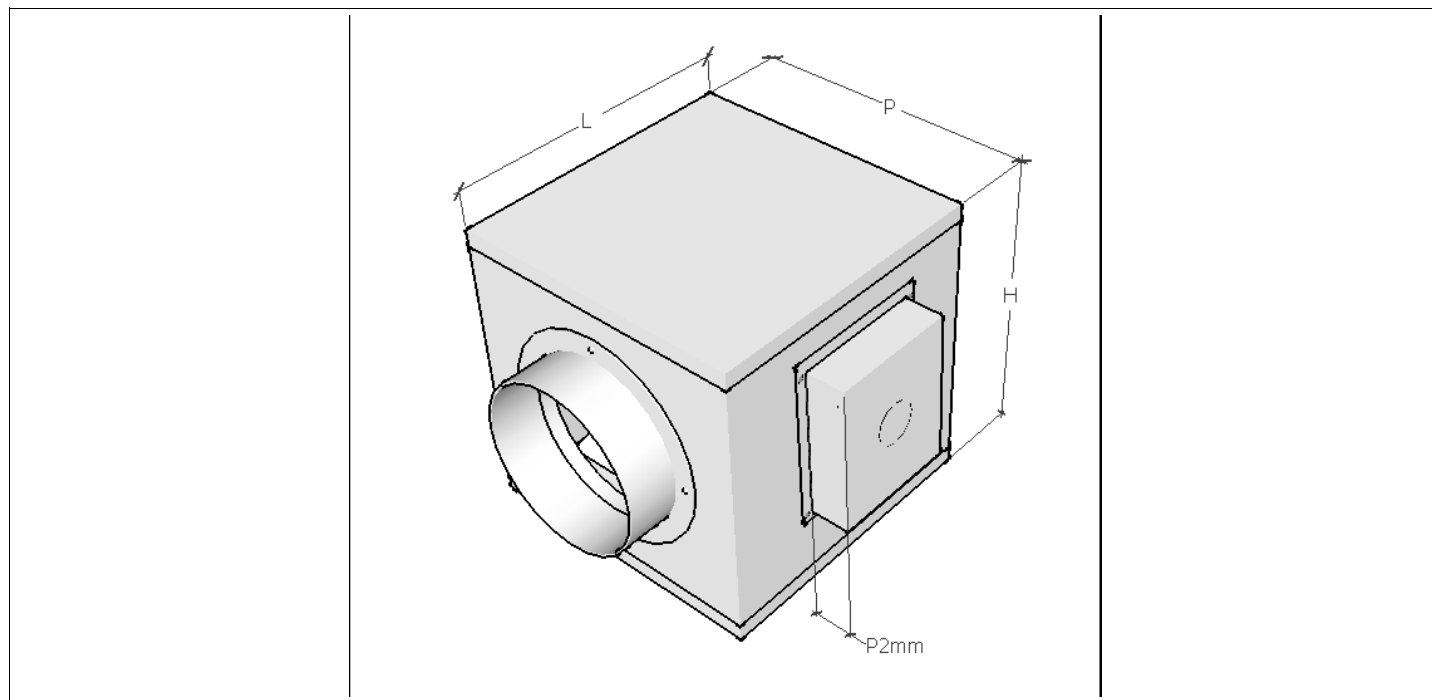
Template	UVC S	01	02	03	04
Width L	mm	120	120	120	120
Depth P	mm	50	50	50	50
Depth P2	mm	220	320	420	420
Height H.	mm	195	195	195	195
Air connections	OR	125	160	200	250
Weight	kg	1.3	1.4	1.5	1.5

# UV LAMPS FOR AIR TREATMENT SYSTEMS

DATA SHEET



## VERSIONS B



Template	UVC B	01	02	03	04
Width L	mm	275	275	295	295
Depth P	mm	235	450	675	800
Depth P2	mm	50	50	50	50
Height H.	mm	225	225	295	295
Air connections	OR	125	160	200	250
Weight	kg	16	22	28	34

UNIT VIEW FROM ABOVE

# UV LAMPS FOR AIR TREATMENT SYSTEMS

DATA SHEET



## UNIT ORDER CODES

### S version models

Template	Description	Code
UVC module	UVC module to be inserted in ducts up to 200 m <sup>3</sup> / h	GR1208II
UVC module	UVC module to be inserted in ducts up to 300 m <sup>3</sup> / h	GR1209II
UVC module	UVC module to be inserted in ducts up to 500 m <sup>3</sup> / h	GR1210II
UVC module	UVC module to be inserted in ducts up to 900 m <sup>3</sup> / h	GR1211II

### Version B models

Template	Description	Code
UVC box	Air passage box complete with UVC lamp to be inserted in the line for ranges up to 200 m <sup>3</sup> / h	GR1212II
UVC box	Air passage box complete with UVC lamp to be inserted in the line for ranges up to 300 m <sup>3</sup> / h	GR1213II
UVC box	Air passage box complete with UVC lamp to be inserted in the line for ranges up to 500 m <sup>3</sup> / h	GR1214II
UVC box	Air passage box complete with UVC lamp to be inserted in the line for ranges up to 900 m <sup>3</sup> / h	GR1215II

### ACCESSORIES

Template	Description	Code
Replacement lamp	Spare lamp for GR1208II unit	GR1216II
Replacement lamp	Spare lamp for GR1209II unit	GR1217II
Replacement lamp	Spare lamp for GR1210II / GR1211II units	GR1218II
Replacement power	Spare power supply for GR1208II unit	GR1219II
Replacement power	Spare power supply for GR1209II unit	GR1220II
Replacement power	Replacement power supply for GR1210II unit	GR1221II
Replacement power	Spare power supply for GR1211II unit	GR1222II

**\*Warranty**

1 Year / lamp bulb

2 Years / Power Supply

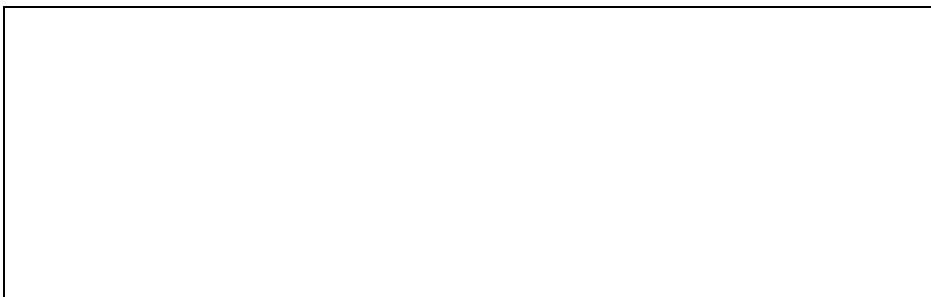


## CE marking

The CE marking (present on each machine) certifies compliance with the following Community standards:

- Low Voltage Directive 2014/35 / EC
- Electromagnetic Compatibility Directive 2014/30 / EC

*Rev. 2 04 -2021*



The data contained in this technical catalog can be changed by the manufacturer without prior notice.