

AESTHETIC KIT LOWER SIDE COVER

Warnings

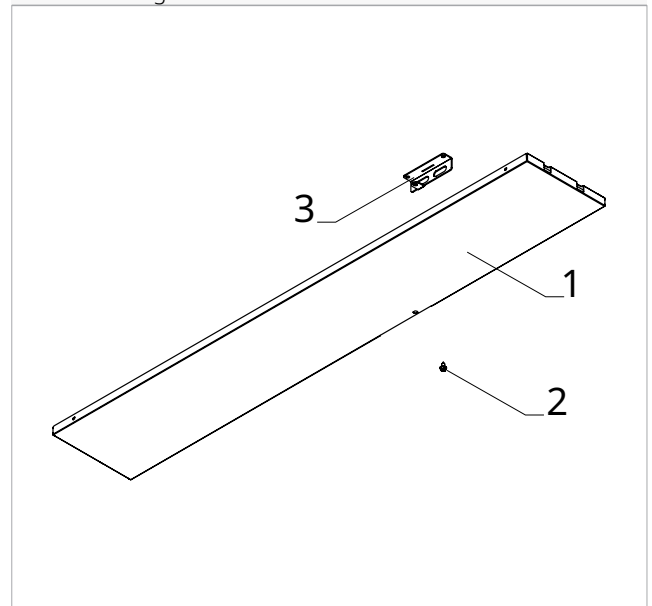
- ⚠ This instruction is an integral part of the booklet of the appliance on which the kit is installed. Please consult this booklet for general warnings and fundamental safety rules.
- ⚠ For a rapid and right assembly of the components follow carefully the sequences described in the various sections.
- ⚠ All the operations must be performed by qualified personnel using the required Personal Protective Equipment.
- ⚠ It is necessary, for right functioning of the device, that during the whole installation phase the working space remains clean.

Standard supply

The accessory is supplied as follows:

- aesthetic kit lower side cover
- plastic rivet
- locking bracket for lower closure

- | | |
|-----------|-----------------------------------|
| 1. | Aesthetic kit lower side cover |
| 2. | Plastic rivet. |
| 3. | Locking bracket for lower closure |



Description

The aesthetic lower side cover kit is to be used in installations where the lower part of the device is visible, such as for ceiling-mounted installations.

GB0737II - GB1105II - Aesthetic kit lower side cover

Combinable products

For models:

- GB0737II - Aesthetic kit lower side cover for ..2.0 - 12 HP DC INVERTER / ..2.0 - 10 HP DC INVERTER / ..2.0 - 15 HP DC INVERTER - MAXI / ..2.0 ELEC 2 kW - 12 HP DC INVERTER / ..2.0 ELEC 2 kW - 15 HP DC INVERTER / ..2.0 ELEC 2 kW - 18 HP AMERICA
- GB1105II - Aesthetic kit lower side cover for ..2.0 MINI - 09 HP DC INVERTER - MINI

Mounting

Device preparation

Before proceeding with the installation of the aesthetic lower side cover kit, it is necessary to remove some elements from the appliance.

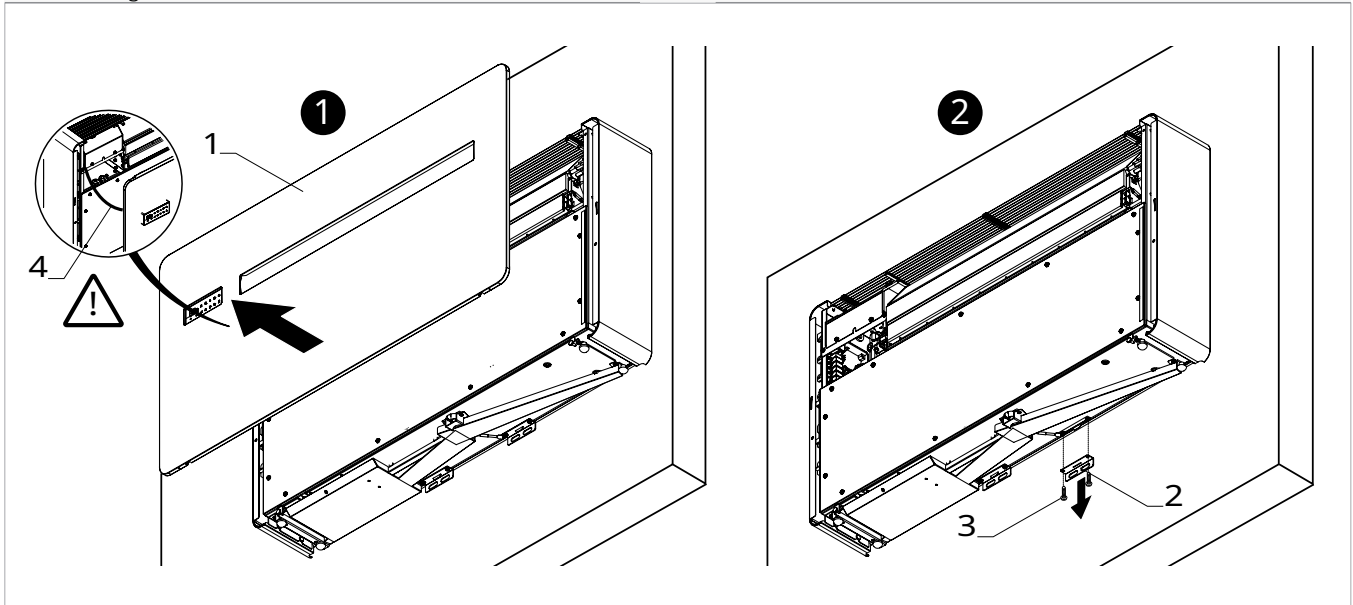
⚠ Before carrying out any works, please ensure the power supply is disconnected.

⚠ The control panel is fixed on the front panel and is connected to the device by a connector.

⚠ Disconnect the connector when opening the front panel.

- 1. Front panel
- 2. Fixing bracket

- 3. Fixing screws
- 4. Connectors



► remove the aesthetic front panel

⚠ For the removal of the front panel, please refer to the unit's installation manual.

► disconnect the on-board display connector (if present)

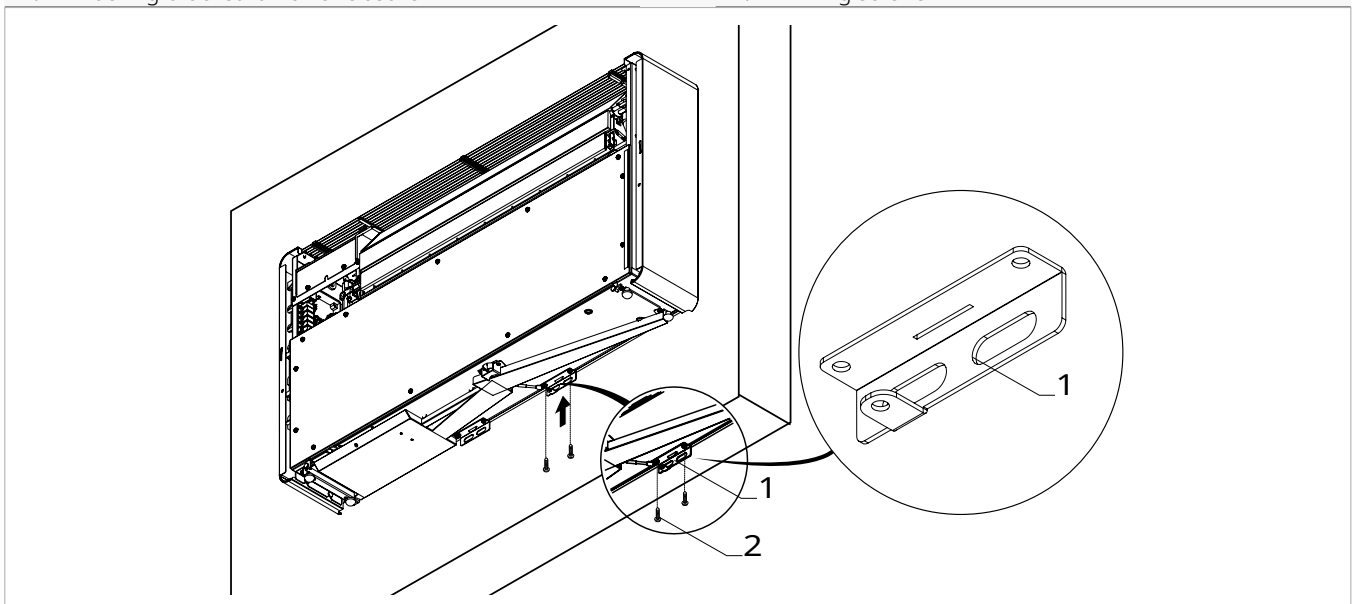
► remove the screws securing the lower bracket

► remove the right lower mounting bracket

Mounting of the locking bracket for lower closure

- 1. Locking bracket for lower closure

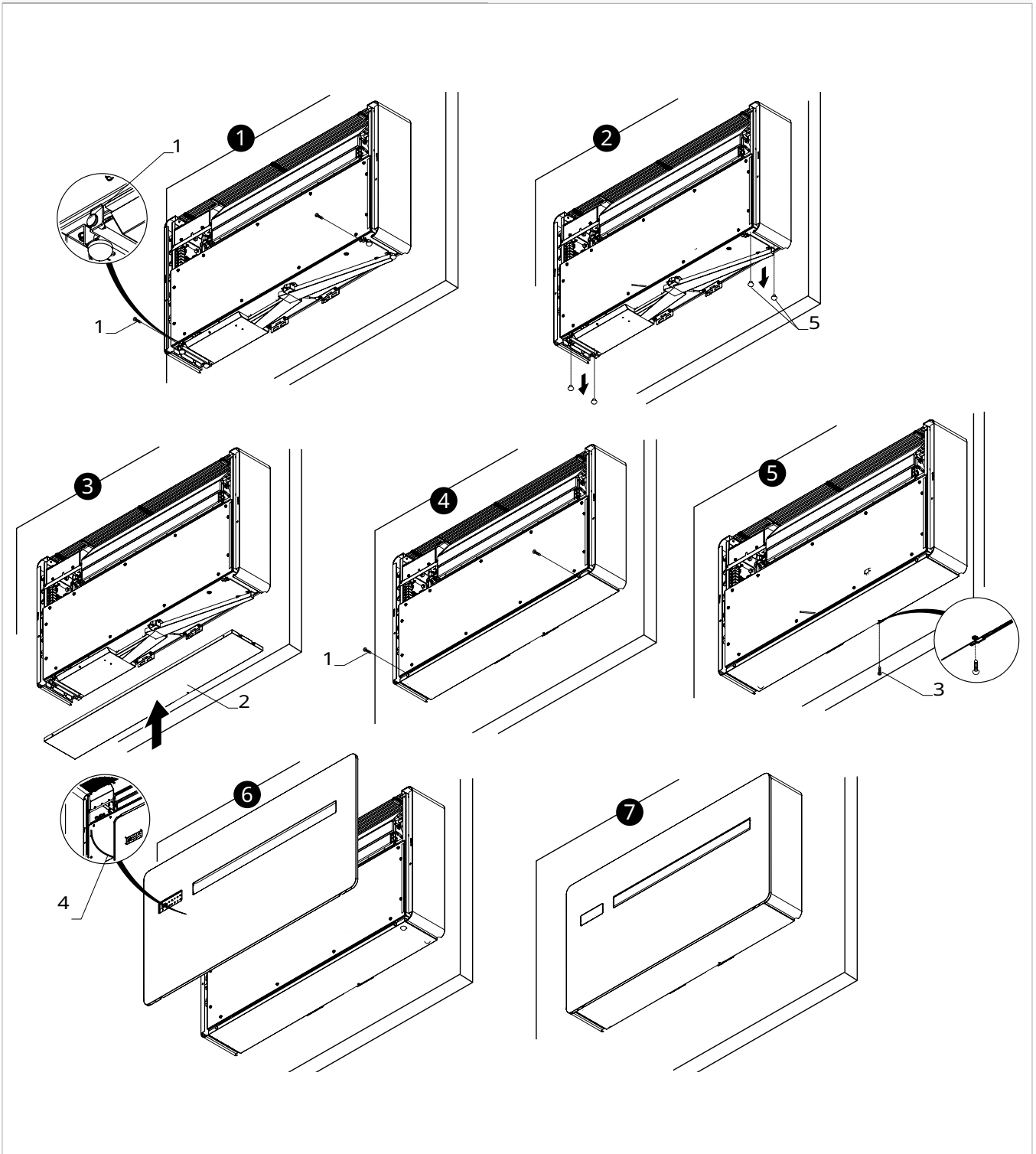
- 2. Fixing screws



► secure the locking bracket for the lower closure, provided with the kit, using the screws previously removed

Installation of the aesthetic lower side cover kit

- | | |
|-----------------------------------|----------------|
| 1. Fixing screws | 4. Connectors |
| 2. Aesthetic kit lower side cover | 5. Rubber feet |
| 3. Plastic rivet. | |



To install the aesthetic lower side cover kit on the unit:

- ▶ remove the fixing screws
 - ▶ Remove the rubber feet
 - ▶ Place the lower aesthetic cover kit.
 - ▶ secure the aesthetic lower cover kit with the screws previously removed
 - ▶ secure the kit on the lower side using the plastic rivet provided with the kit
 - ▶ connect the connector of the on-board control
 - ▶ secure the front panel with screws
- ⚠ For the installation of the front panel, refer to the unit's installation manual.