

REAR AESTHETIC PANEL KIT

Warnings

- ⚠ This instruction is an integral part of the booklet of the appliance on which the kit is installed. Please consult this booklet for general warnings and fundamental safety rules.
- ⚠ For a rapid and right assembly of the components follow carefully the sequences described in the various sections.
- ⚠ All the operations must be performed by qualified personnel using the required Personal Protective Equipment.
- ⚠ It is necessary, for right functioning of the device, that during the whole installation phase the working space remains clean.

Standard supply

The accessory is supplied as follows:

- aesthetic rear panel

Description

The aesthetic rear panel is to be used when the back of the fan coil is visible.

LC1110II - LC1111II - LC1112II - LC1113II - LC1114II - Rear aesthetic panel kit

Combinable products

For SL and RS models:

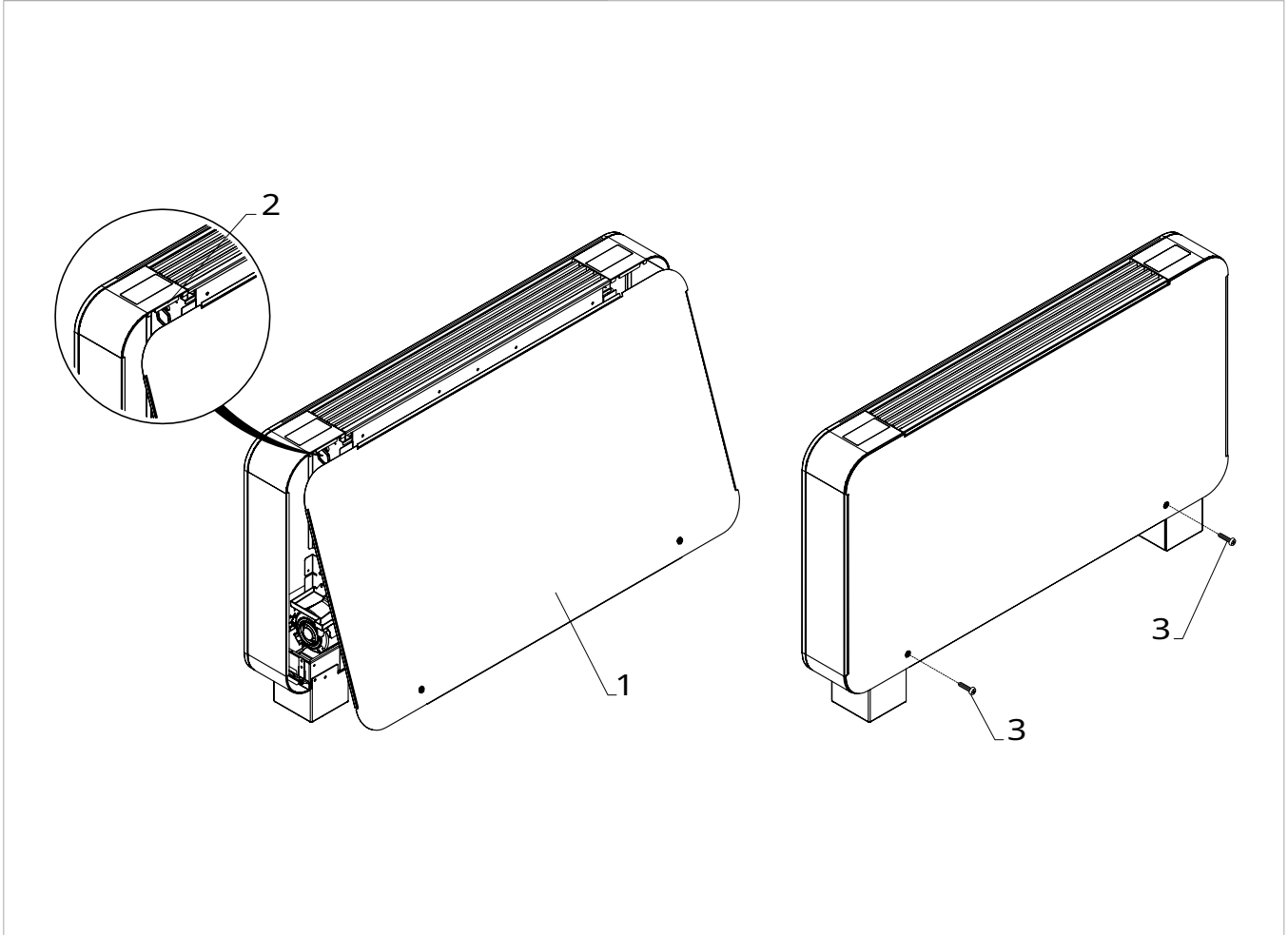
- LC1110II - Rear aesthetic panel kit for SL/RS 200 models
- LC1111II - Rear aesthetic panel kit for SL/RS 400 models
- LC1112II - Rear aesthetic panel kit for SL/RS 600 models
- LC1113II - Rear aesthetic panel kit for SL/RS 800 models
- LC1114II - Rear aesthetic panel kit for SL/RS 1000 models

Mounting

- ⚠ Make sure the area where the unit is placed is clean to avoid damaging the cover panel.

1. Aesthetic rear panel
2. Top part

3. Fixing screws



To install the aesthetic rear panel on the unit:

- ▶ place the device on a horizontal plane
- ▶ remove the rear screws of the brackets
- ▶ place the aesthetic rear panel on the back of the unit
- ▶ slot the aesthetic rear panel onto the top part of the unit
- ▶ secure the aesthetic rear panel with screws
- ▶ return the appliance in a vertical position