

## FEET KIT FOR FLOOR MOUNTING LC0606

### Warnings

- ⚠ This instruction is an integral part of the booklet of the appliance on which the kit is installed. Please consult this booklet for general warnings and fundamental safety rules.
- ⚠ For a rapid and right assembly of the components follow carefully the sequences described in the various sections.
- ⚠ All the operations must be performed by qualified personnel using the required Personal Protective Equipment.
- ⚠ It is necessary, for right functioning of the device, that during the whole installation phase the working space remains clean.

### Standard supply

The accessory is supplied as follows:

- 4 locking tabs on the floor
- self-tapping screws
- installation template

### Description

The floor-fixing foot kit is for use when the device is to be placed in front of display cases or where wall installation is not possible.

LC0606- Feet for anchoring the unit to the floor. Colour white

- ⚠ For masking the appliance's plumbing connection pipes coming from the floor, use the special aesthetic LC0606 feet.

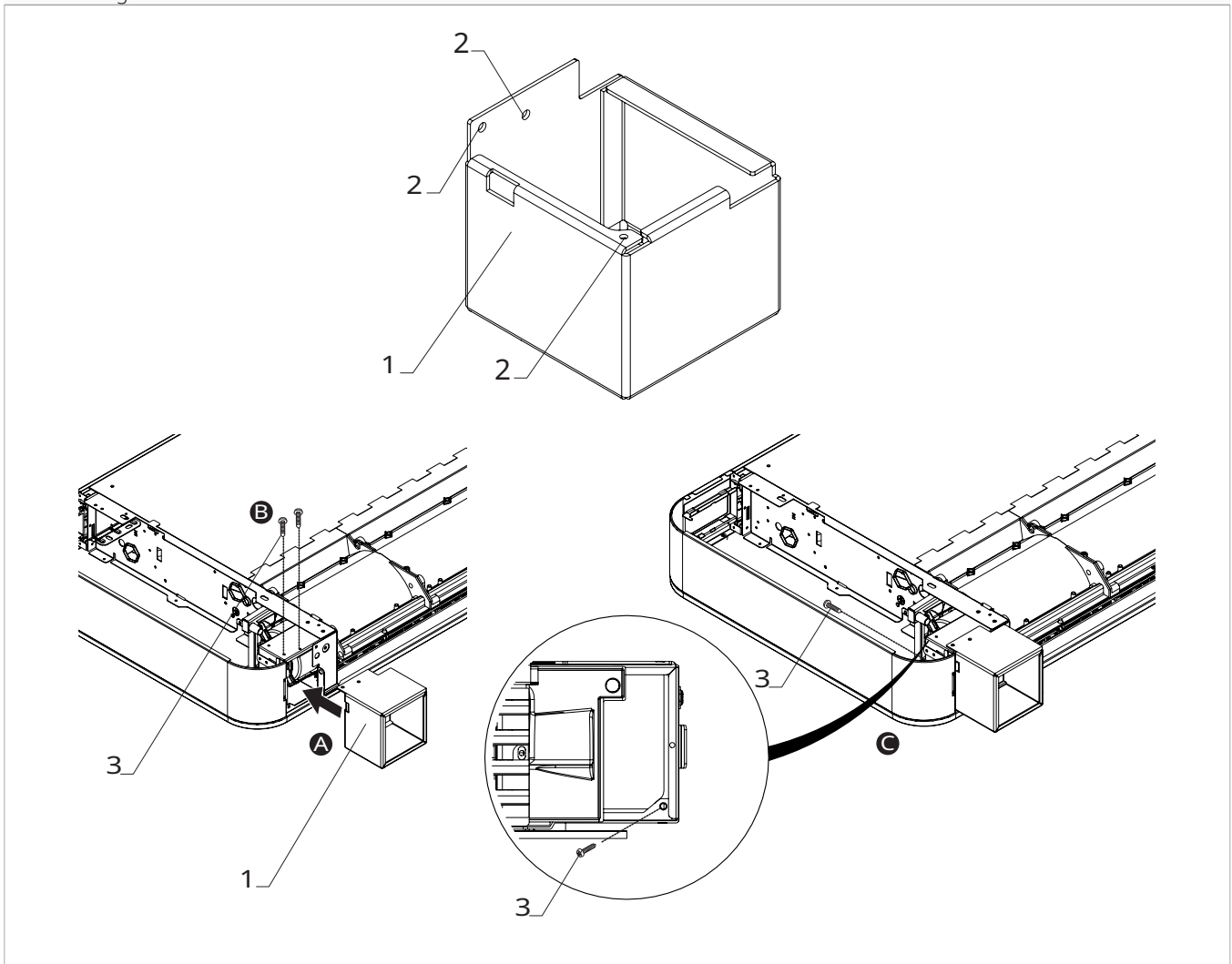
### Combinable products

The LC0606 accessory can be installed for all sizes of >OSMO<.

### Mounting

- ⚠ For mounting the floor-fixing foot kit, place the unit with the cover cabinet resting on the floor.
- ⚠ Make sure the area where the unit is placed is clean to avoid damaging the cover cabinet.

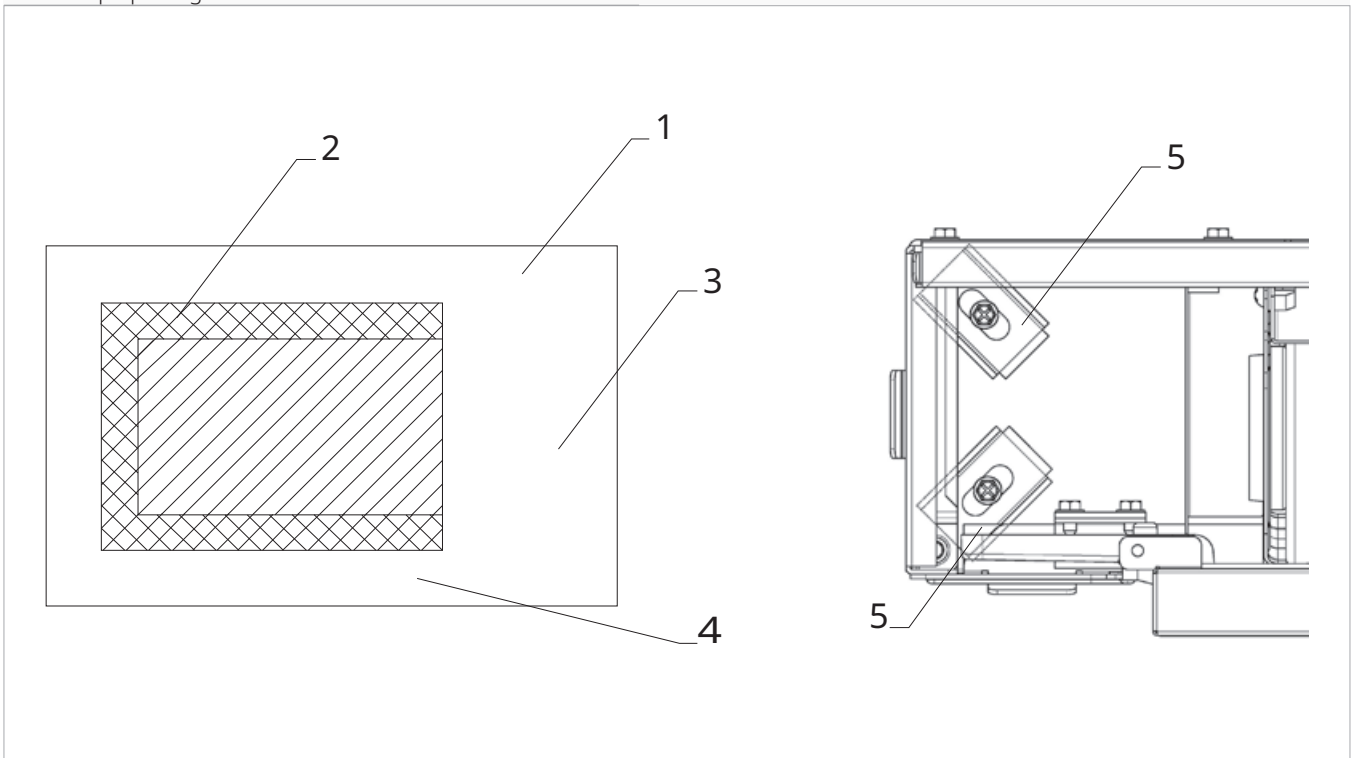
1. Foot for floor fixing
2. Holes for kit mounting
3. Fixing screws



**To install the floor-fixing feet kit to the unit:**

- ▶ place the device on a horizontal plane
- ▶ place the presser foot in the correct position
- ▶ engage the floor locking tabs to the bottom of the structure
- ▶ fix the back of the presser foot to the unit with 2 fixing screws, inserted from the outside
- ▶ insert 1 fixing screw from the inside to anchor the presser foot

- |    |                           |    |                                |
|----|---------------------------|----|--------------------------------|
| 1. | Installation template     | 4. | Appliance support bracket area |
| 2. | Area of possible drilling | 5. | Floor locking tabs             |
| 3. | Pipe passage area         |    |                                |



#### To finalize the mounting:

- ▶ Use the paper template provided to check the drilling area
  - ▶ drill the 4 holes of the anchor plugs in the floor
  - ▶ verify that plumbing and electrical connections are allowed to pass through
- ⚠ Use anchors appropriate for the floor material and the weight of the appliance.
- ⚠ Check that the appliance is properly fixed and that the dowels ensure its perfect stability.
- ▶ return the appliance in a vertical position
  - ▶ secure the appliance to the floor using the 4 floor locking tabs (supplied)
  - ▶ screw in the 4 anchor plugs