

CONDENSATE COLLECTION TRAY KIT

Warnings

- ⚠ This instruction is an integral part of the booklet of the appliance on which the kit is installed. Please consult this booklet for general warnings and fundamental safety rules.
- ⚠ For a rapid and right assembly of the components follow carefully the sequences described in the various sections.
- ⚠ All the operations must be performed by qualified personnel using the required Personal Protective Equipment.
- ⚠ It is necessary, for right functioning of the device, that during the whole installation phase the working space remains clean.
- ⚠ Regularly clear away waste offcuts, debris or dirt.

Description

The condensate collection tray kit is used to collect condensate for ceiling installation.

GB0520 - Horizontal tray kit for positioning the unit on the ceiling. Dimensions: 481x365x40 mm. For AirLeaf SL 200 models.

GB0521 - Horizontal tray kit for positioning the unit on the ceiling. Dimensions: 681x365x40 mm. For AirLeaf SL 400 models.

GB0522 - Horizontal tray kit for positioning the unit on the ceiling. Dimensions: 881x365x40 mm. For AirLeaf SL 600 models.

GB0523 - Horizontal tray kit for positioning the unit on the ceiling. Dimensions: 1081x365x40 mm. For AirLeaf SL 800 models.

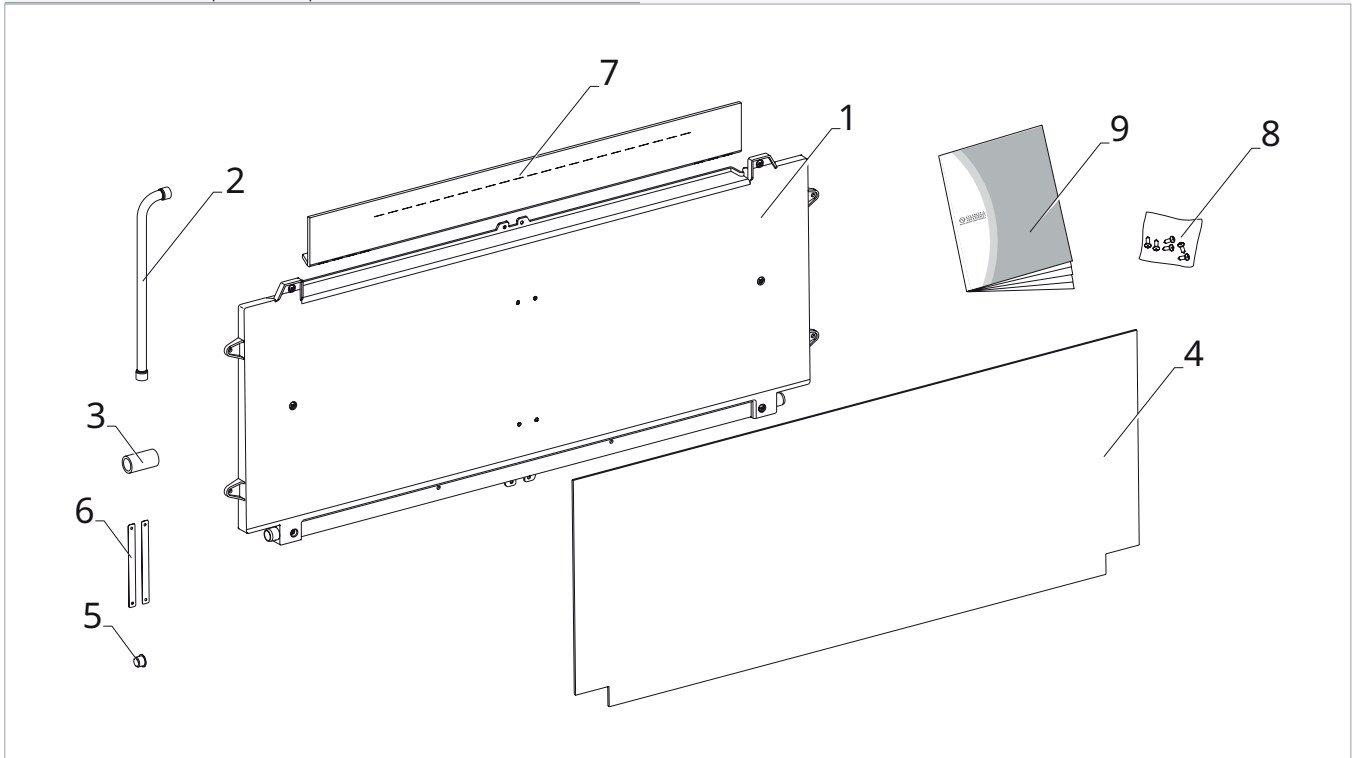
GB0524 - Horizontal tray kit for positioning the unit on the ceiling. Dimensions: 1281x365x40 mm. For AirLeaf SL 1000 models.

The kit consist of:

- 1 condensate collection tray
- 1 Copper pipe
- 1 Adapter connection
- 1 Condensate collection tray insulation
- 1 upper battery insulator
- 1 transparent 13 mm cap
- 2 front grille safety supports
- 6 cylindrical head screws 4,2x13
- 1 instruction sheet

Components

1.	Condensate drain tray	6.	front grille safety supports
2.	Copper pipe	7.	Upper battery insulator
3.	Adapter connection	8.	Cylindrical head screws 4,2x13
4.	Condensate collection tray insulation	9.	Instruction sheet
5.	13 mm transparent cap		

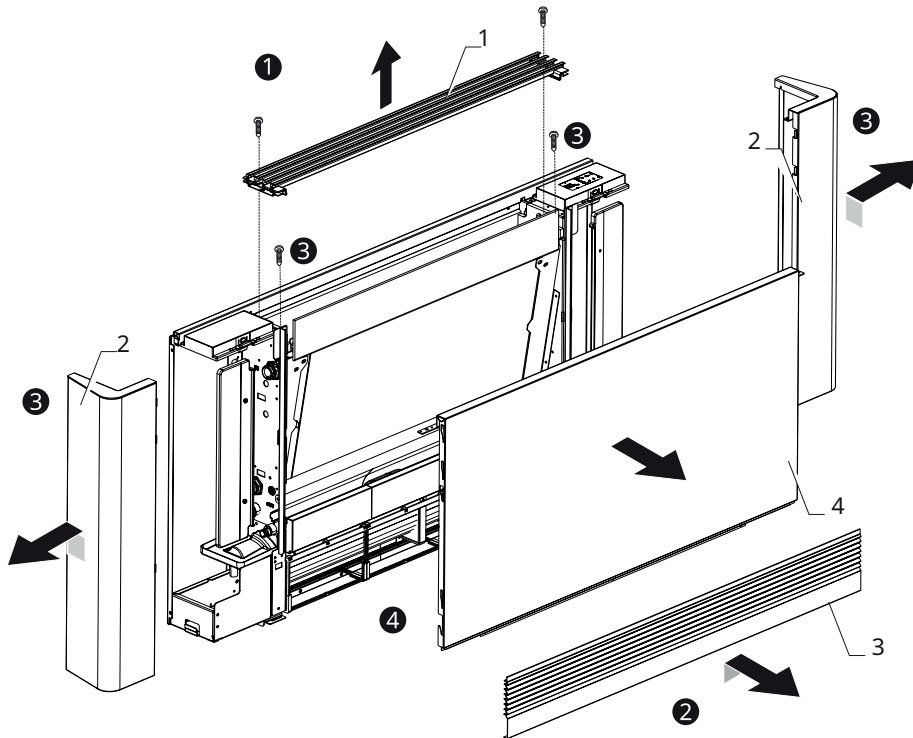


Installation

- (i)** The assembly steps described below and their drawings refer to a version of the machine with connections on the left side.

Mounting

1. Upper grille	3. Front grid
2. Side panels	4. Front panel



⚠ To proceed with the installation of the condensate collection tray kit, it is first necessary to remove some components of the unit.

To remove the upper grid:

- ▶ remove the fixing screws
- ▶ lift up and remove the upper grille

To remove the front grid:

- ▶ lift the front grille
- ▶ pull and remove the grille

⚠ The front grille is not always present in all versions.

To remove the aesthetic side panels:

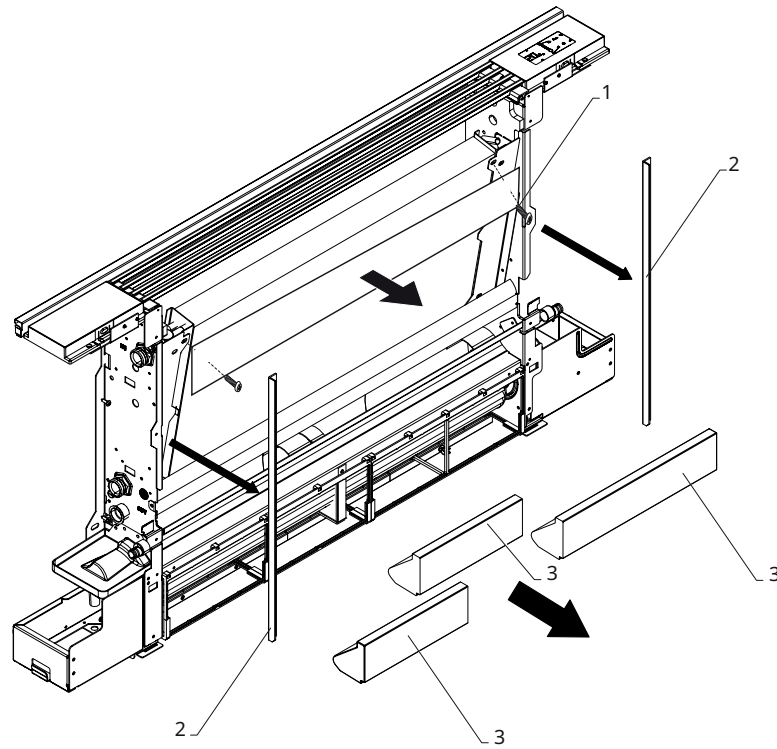
- ▶ lift the screw covers on the top of the appliance
- ▶ remove the fixing screws
- ▶ lift and remove the side

To remove the front panel:

- ▶ remove the fixing screws
- ▶ remove the aesthetic front panel

1. Upper battery insulator
2. Front closure brackets

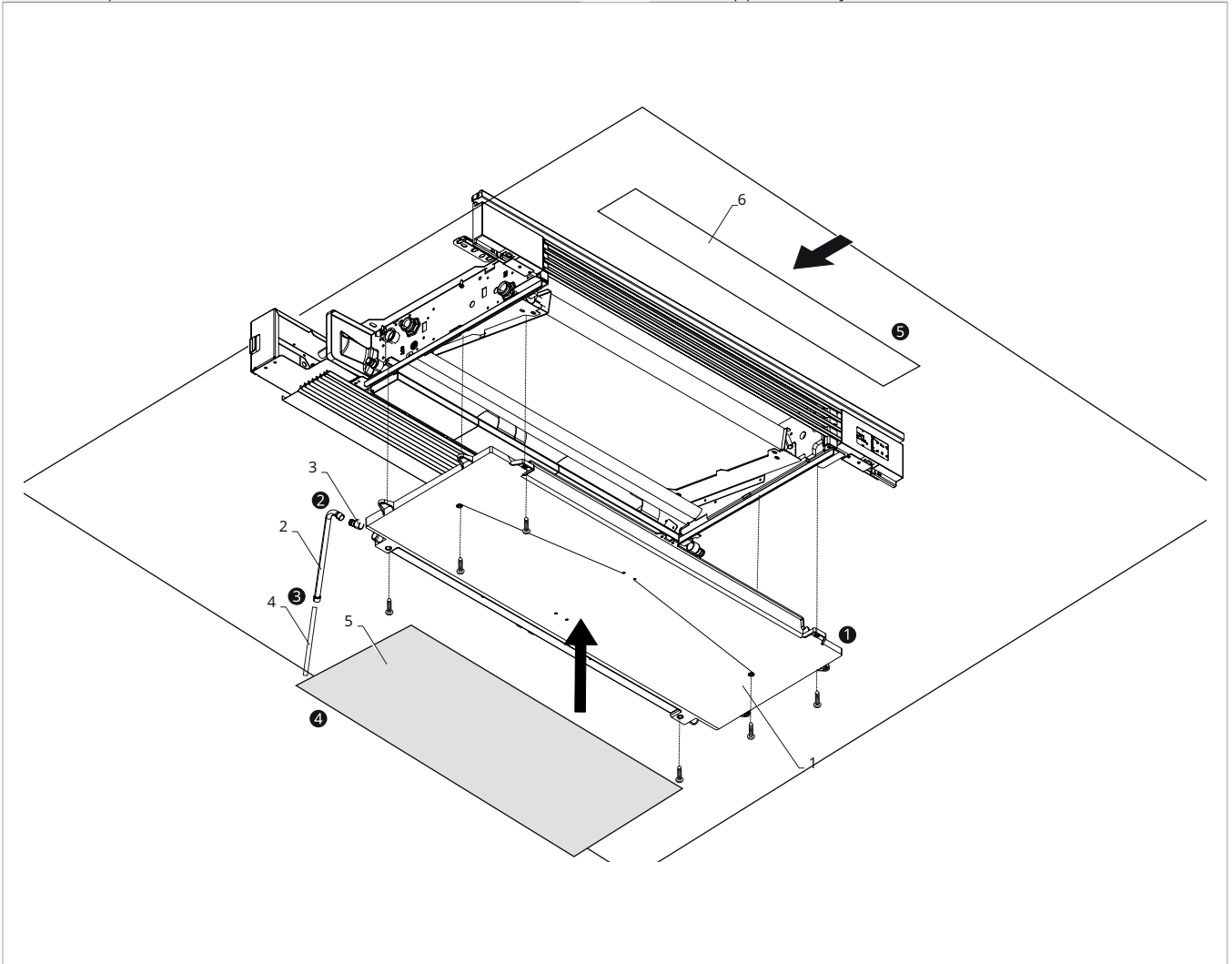
3. Polystyrene insulators



To remove the insulators and brackets:

- ▶ remove the fixing screws
- ▶ remove the upper battery insulator
- ▶ remove the brackets by pulling them towards you
- ▶ remove the polystyrene insulators

- | | |
|--------------------------|--|
| 1. Condensate drain tray | 4. Liquid drain pipe |
| 2. Copper pipe | 5. Condensate collection tray insulation |
| 3. Adapter connection | 6. Upper battery insulator |



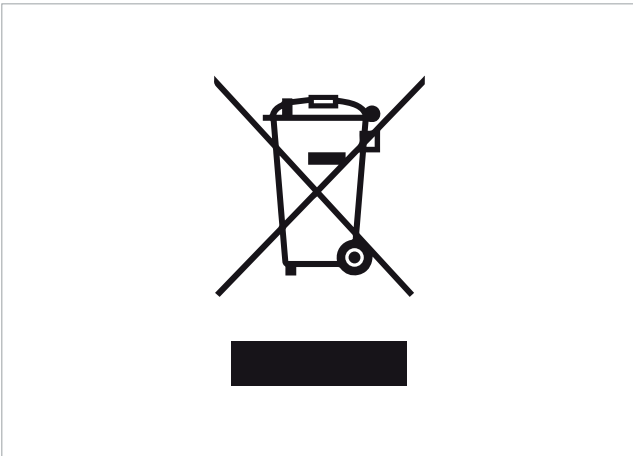
To install the condensate collection tray kit:

- ▶ place the condensate collection tray against the unit
- ▶ secure the tray with the 6 screws provided
- ⚠ Ensure that the unit is tilted towards the condensate drainage area.
- ▶ Connect the adapter fitting to the condensate drain connection
- ▶ Connect the copper pipe to the adapter fitting
- ▶ connect the condensate drain pipe to the copper pipe
- ▶ direct the liquid drain pipe towards a suitable location for drainage
- ▶ keep a minimum slope of 3% towards the drain location
- ▶ insulate fitting points
- ⚠ Condensate drainage pipes must be insulated for both indoor and outdoor sections of the house to avoid condensation on the surface and/or freezing problems. The insulation must be fitted until the condensate drain pipe is plugged into the connection provided on the unit.
- ⚠ Avoid counter-slope sections.
- ⚠ Check for the transparent cap in the inlet of the drainage pipe opposite to where the connections for condensate drainage will be made.
- ▶ position the condensate collection tray insulation

- ▶ position the upper battery insulator

- ⚠ To reassemble the unit, proceed in reverse order
- ⚠ For the installation of the front grille, refer to the unit's installation manual.

Disposal



The symbol on the product or packaging indicates that the product must not be treated as normal household waste, but must be taken to the appropriate collection point for recycling of used electrical and electronic equipment and batteries.

Proper disposal of this product avoids harm to humans and the environment and promotes the reuse of valuable raw materials.

For more detailed information about the recycling of this product, contact your local authority, your household waste disposal service or the shop where you purchased the product.

Illegal disposal of the product by the user involves the application of the administrative sanctions provided for by the regulations in force.

This provision is valid in the EU Member States.

⚠️ Avoid disassembling the unit yourself.

⚠️ **Contact an authorised Technical Assistance Centre to disassemble the appliance.**