

# CONDENSATE DRAIN PIPE HEATER KIT

## Warnings

- ⚠ This instruction is an integral part of the booklet of the appliance on which the kit is installed. Please consult this booklet for general warnings and fundamental safety rules.
- ⚠ For a rapid and right assembly of the components follow carefully the sequences described in the various sections.
- ⚠ All the operations must be performed by qualified personnel using the required Personal Protective Equipment.
- ⚠ It is necessary, for right functioning of the device, that during the whole installation phase the working space remains clean.
- ⚠ Regularly clear away waste offcuts, debris or dirt.

## Description

GB1119 - Heating element kit for condensate drain pipe.

The GB1119 Resistor Kit (supplied separately) consists of:

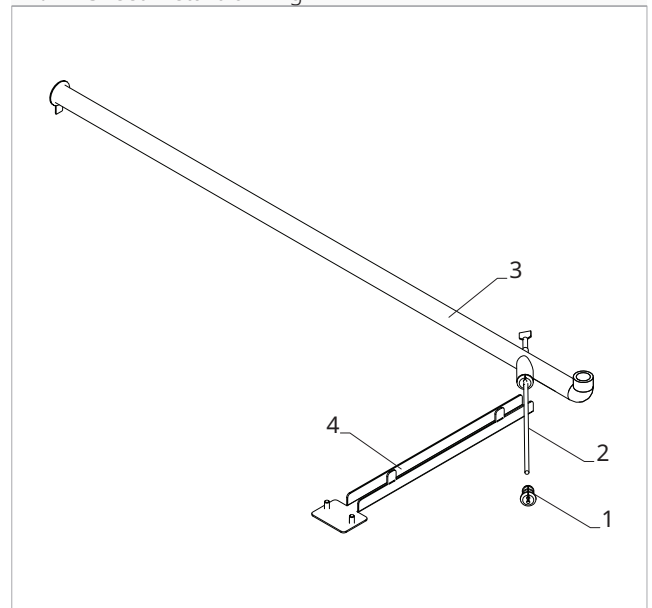
- silicone tube
- Resistance cable
- end cap
- sheet metal conduit
- 2 fixing screws
- tie

⚠ The resistance cable is marked with marks to mark the hot part, you can adjust its length according to the size you need.

⊘ It is forbidden to cut or damage the resistance cable in any way

## Components

- |    |                      |
|----|----------------------|
| 1. | End cap              |
| 2. | Resistance cable     |
| 3. | Liquid drain pipe    |
| 4. | Sheet metal trunking |



## Installation

### Preliminary warnings

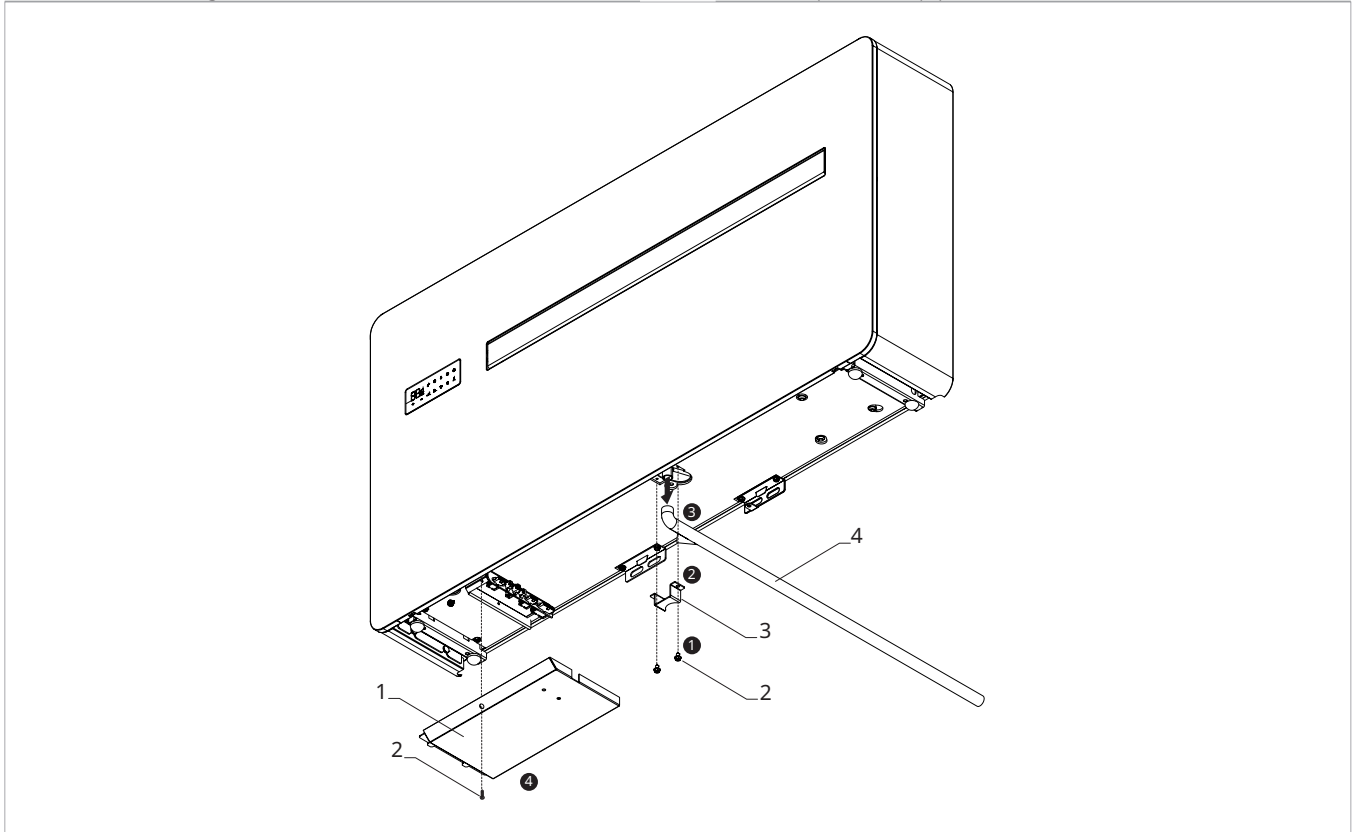
- ⚠ The resistance cable must not be accessible to the user.
- ⚠ The resistance cable must not protrude from the silicone tube.
- ⚠ Do not crush the cable.
- ⊘ It is forbidden to cut the resistance cable.

## Removal of condensate drain pipe

⚠ To install the heating element kit, it is first necessary to remove the condensate drain pipe already on the appliance.

1. Connector cover bracket
2. Bracket fixing screw

3. Omega protection
4. Liquid drain pipe



### To remove the cover bracket from the connectors

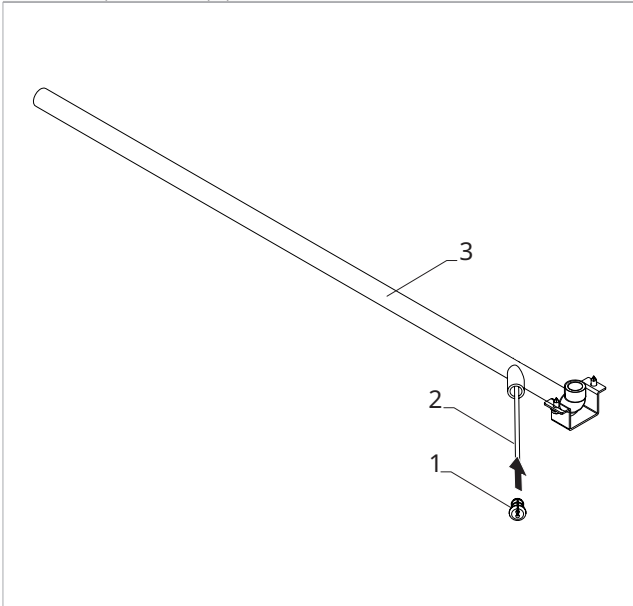
- ▶ unscrew the fixing screw
- ▶ remove the cover bracket

### To remove the condensate drain pipe

- ▶ unscrew the 2 screws securing the protective omega
- ▶ remove the protective Omega
- ▶ Remove the silicone tube through the spring clamp on the end of the tube

## Installation of condensate drain pipe heater kit

1. End cap
2. Resistance cable
3. Liquid drain pipe

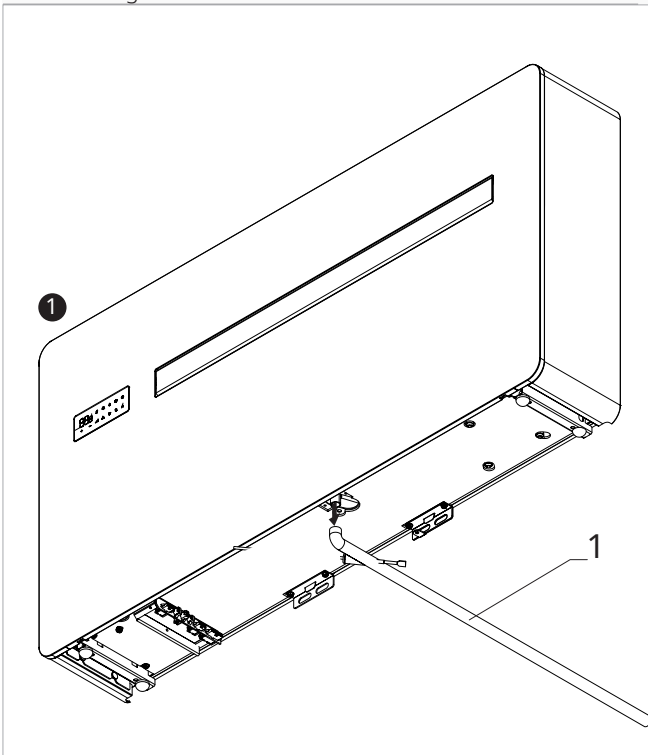


- ▶ cut the pipe to the necessary length according to the depth of the wall
- ▶ insert the resistance cable into the tube
- ▶ close the end of the pipe with the condensate drainage end cap
- ▶ fix with the supplied clamp on the cap

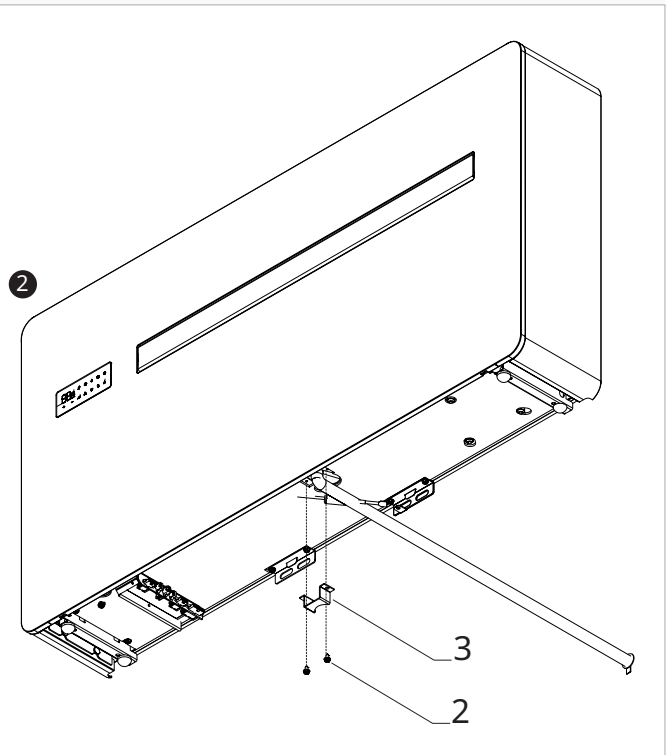
⚠ The resistance cable must not protrude from the condensate drain pipe.

⚠ After securing the cap with the supplied clamp, check for water leakage.

1. Liquid drain pipe
2. Fixing screws



3. Relay



- ▶ attach the condensate drain pipe to the appliance using the clip provided on the pipe
- ▶ mount the previously removed bracket with 2 screws
- ▶ attach the bracket with the 2 screws previously removed

⚠ The resistance cable must not protrude from the condensate drain pipe.

⚠ Any leftover cable should be placed inside the connector cover bracket and routed through the sheet metal resistance cable channel.

## Electric connections

### Preliminary warnings

⚠ To prevent any risk of electrocution, always disconnect the main circuit breaker before making electric connections or performing any maintenance on the units.

⚠ Access to the electrical panel is only permitted to qualified personnel.

⚠ Before carrying out any works, please ensure the power supply is disconnected.

### Connections

⚠ For proper installation, run the resistance cable inside the cable channel.

⚠ The condensate drain resistance cable must not protrude from the pipe.

⚠ Any leftover cable should be inserted inside the connector cover bracket and routed through the sheet metal raceway.

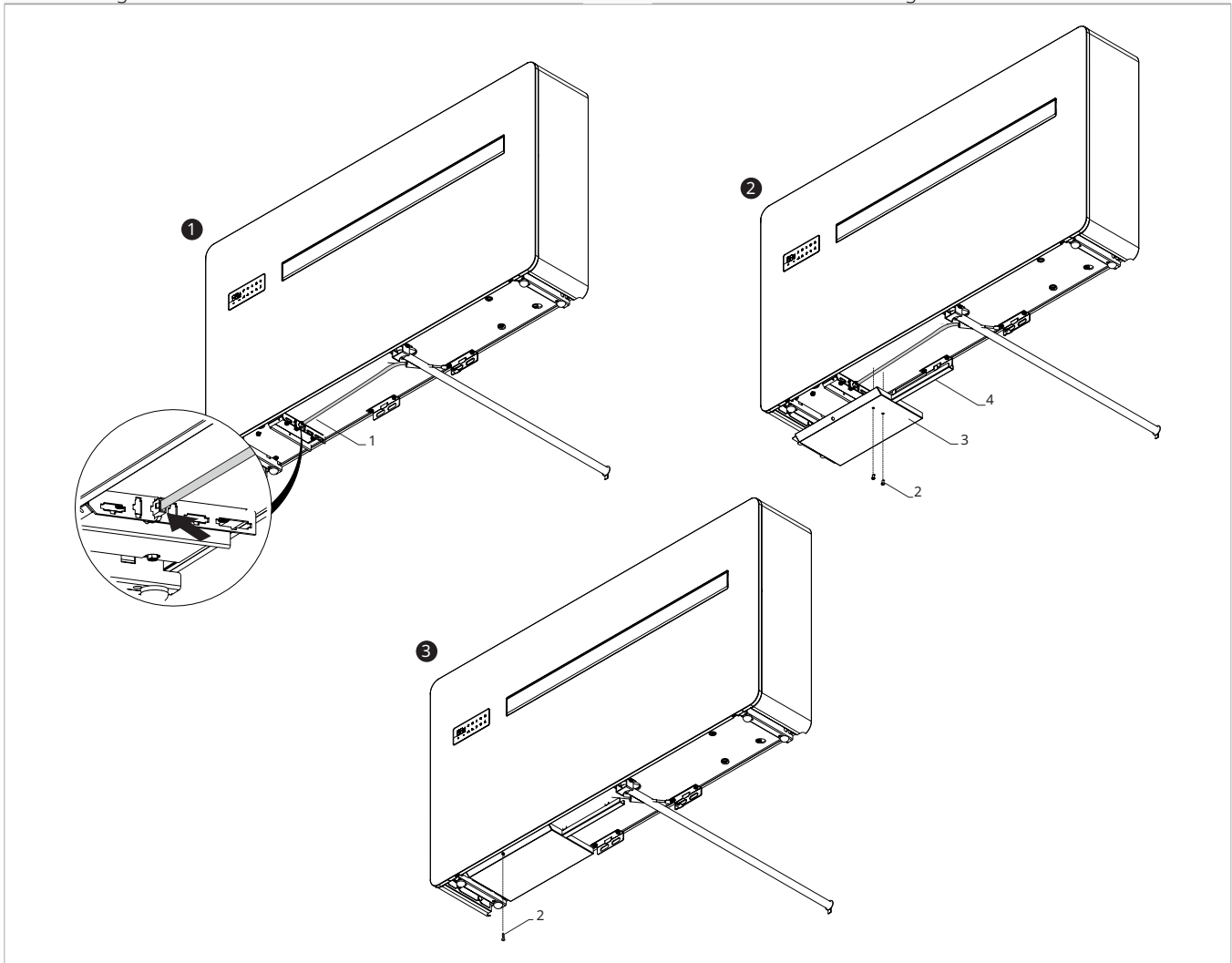
⚠ Do not crush the cable.

⚠ The condensate drain resistance cable must not be accessible to the user.

⊘ It is forbidden to cut the condensate drain resistance cable.

1. Resistance cable
2. Fixing screws

3. Connector cover bracket
4. Sheet metal trunking



### To connect the resistance cable

- ▶ attach the resistance cable routing channel to the terminal block cover bracket
- ▶ Connect the resistance wire into the appropriate terminal

- ▶ reinstall the cover bracket and the sheet metal channel, with the fixing screw

## Disposal



The symbol on the product or packaging indicates that the product must not be treated as normal household waste, but must be taken to the appropriate collection point for recycling of used electrical and electronic equipment and batteries.

Proper disposal of this product avoids harm to humans and the environment and promotes the reuse of valuable raw materials.

For more detailed information about the recycling of this product, contact your local authority, your household waste disposal service or the shop where you purchased the product.

Illegal disposal of the product by the user involves the application of the administrative sanctions provided for by the regulations in force.

This provision is valid in the EU Member States.

⚠ Avoid disassembling the unit yourself.

⚠ **Contact an Authorised Service Centre to disassemble the appliance.**