

METAL CASING KIT FOR BUILT-IN INSTALLATION L00568 / L00572 E L00700 / L00704

Warnings

- ⚠ This instruction is an integral part of the booklet of the appliance on which the kit is installed. Please consult this booklet for general warnings and fundamental safety rules.
- ⚠ For a rapid and right assembly of the components follow carefully the sequences described in the various sections.
- ⚠ All the operations must be performed by qualified personnel using the required Personal Protective Equipment.

Standard supply

The kit consist of:

- 1 Sheet metal backrest
- 1 Sheet metal base
- 2 Sheet metal shoulders
- Fixing screws
- 1 Instruction sheet
- 1 Formwork back insulation
- 2 Formwork side insulation

- ⚠ The formwork arrives disassembled, to be assembled during installation.

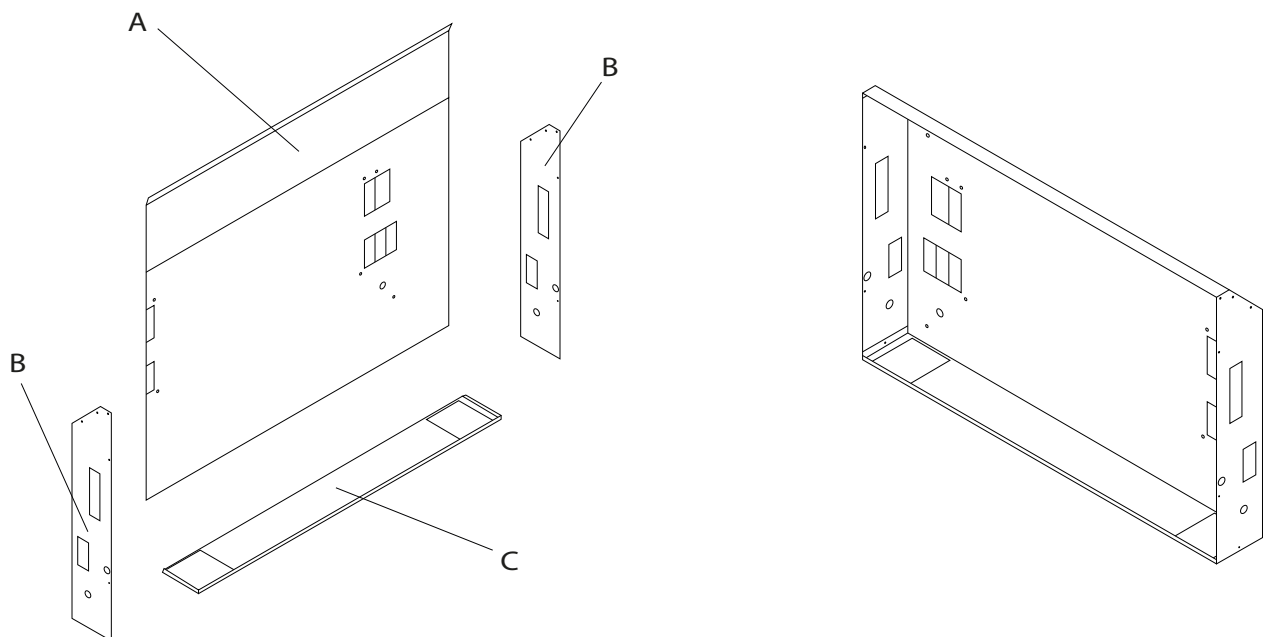
The following devices are required for assembling the formwork:

- gloves
- screwdriver
- screwdriver

A Sheet metal backrest

B Sheet metal shoulder

C Sheet metal base



Match

For SLI and RSI models:

- L00568II - Metal casing for built-in installation for SLI and RSI 200 models
- L00569II - Metal casing for built-in installation for SLI and RSI 400 models
- L00570II - Metal casing for built-in installation for SLI and RSI 600 models
- L00571II - Metal casing for built-in installation for SLI and RSI 800 models
- L00572II - Metal casing for built-in installation for SLI and RSI 1000 models

For SLSI models:

- L00700II - Metal casing for built-in installation for SLSI 200 models
- L00701II - Metal casing for built-in installation for SLSI 400 models
- L00702II - Metal casing for built-in installation for SLSI 600 models
- L00703II - Metal casing for built-in installation for SLSI 800 models
- L00704II - Metal casing for built-in installation for SLSI 1000 models

Installation mode

Available installations:

- vertical with horizontal air flow direction (for all models)
- horizontal with vertical air flow direction (for SLI models only)
- horizontal above false ceiling with ducted air flow outlet (only for SLI models)

Ducted above false ceiling horizontal installation is available in two options:

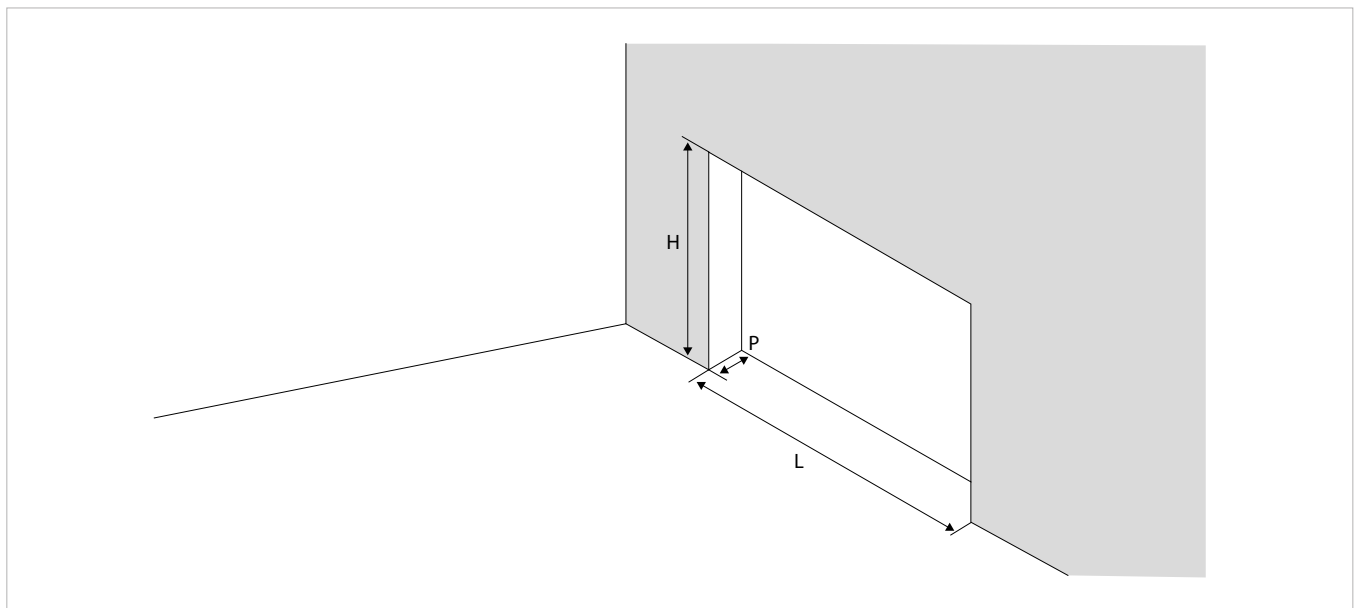
- close to ceiling
- above false ceiling with distancers from ceiling

Installation arrangement

For metal casing installation get ready the wall concealing or false ceiling.

⚠ Make sure that the support wall or ceiling are able to support the weight of the appliance.

⚠ Make sure that the wall or ceiling are not crossed by pipelines, load-bearing construction elements or power lines.



| Code | | L00568II | L00569II | L00570II | L00571II | L00572II |
|---------------|----|---------------|---------------|---------------|---------------|----------------|
| Target device | | SLI / RSI 200 | SLI / RSI 400 | SLI / RSI 600 | SLI / RSI 800 | SLI / RSI 1000 |
| L | mm | 740 | 940 | 1140 | 1340 | 1540 |
| H | mm | 730 | 730 | 730 | 730 | 730 |
| P | mm | 142 | 142 | 142 | 142 | 142 |

| Code | | L00700II | L00701II | L00702II | L00703II | L00704II |
|---------------|----|----------|----------|----------|----------|-----------|
| Target device | | SLSI 200 | SLSI 400 | SLSI 600 | SLSI 800 | SLSI 1000 |
| L | mm | 740 | 940 | 1140 | 1340 | 1540 |
| H | mm | 530 | 530 | 530 | 530 | 530 |
| P | mm | 142 | 142 | 142 | 142 | 142 |

Component assembly

Preparation

Pre-cut lines

⚠ The metal casing is equipped with pre-cuts in correspondence with the hydraulic and electrical connections of the appliance. Break the pre-cut necessary for through of pipes and electric cables.

⚠
– detach the part intended for the passage of the connections by breaking the pre-cuts

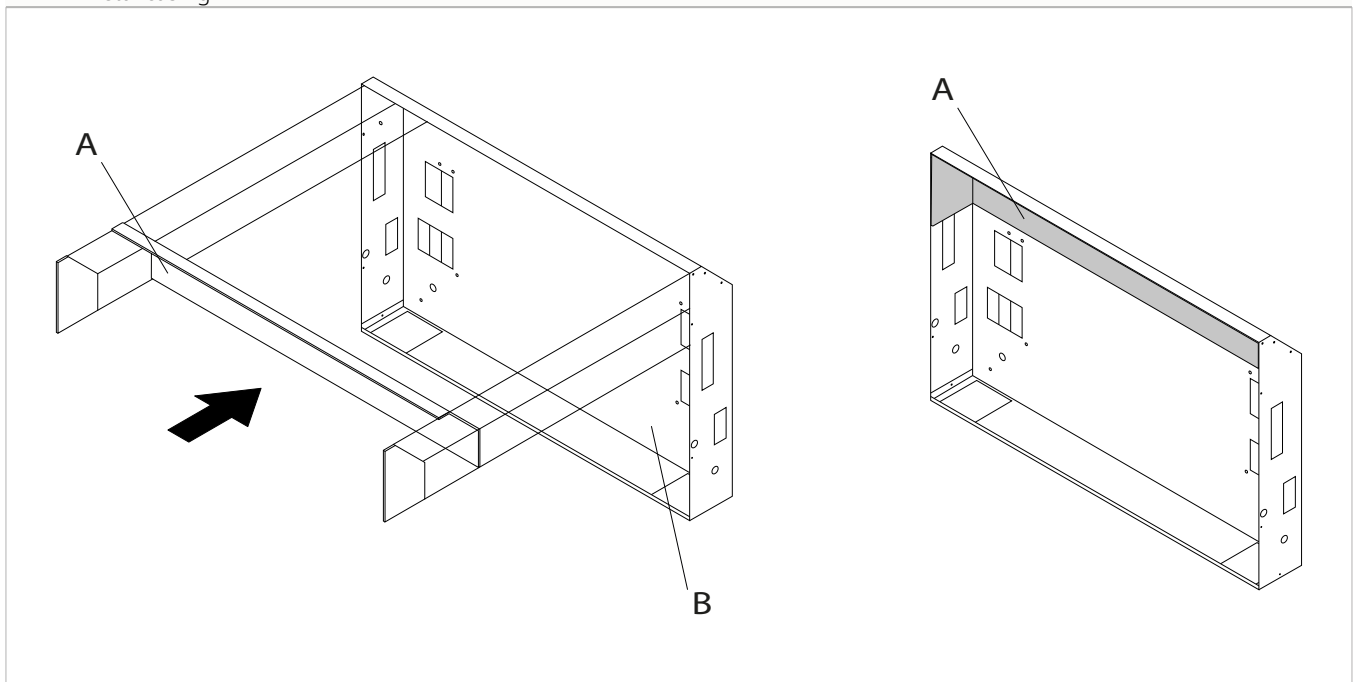
Insulating

– apply the supplied insulation

⚠ Apply the supplied insulation before assembling the formwork.

⚠ Insulation must not be applied when installing the metal case in the ducted air flow mode.

- A** Insulating
B Metal casing

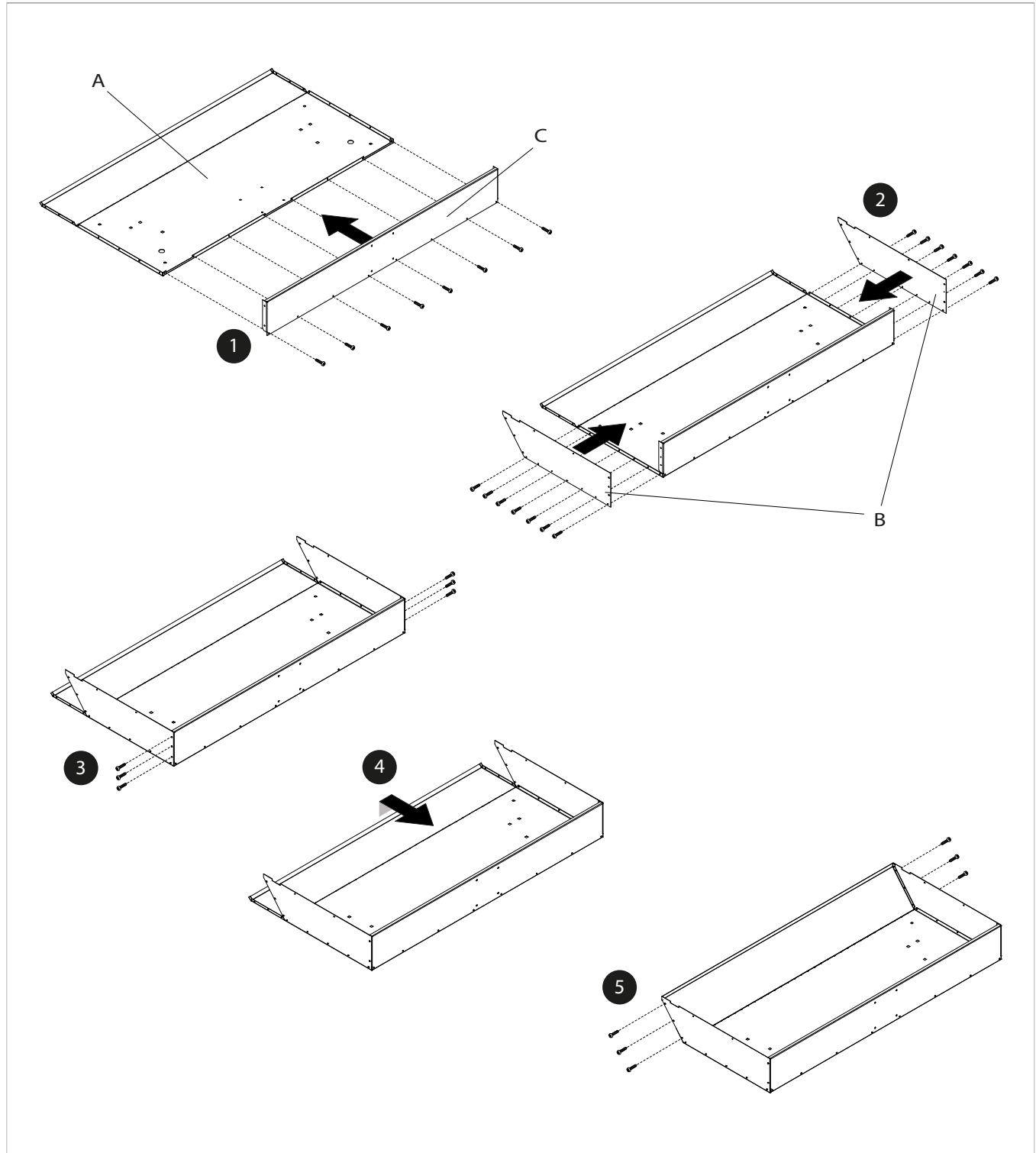


Assembly

⚠ The formwork arrives disassembled, to be assembled during installation.

The formwork components must be assembled before installation.

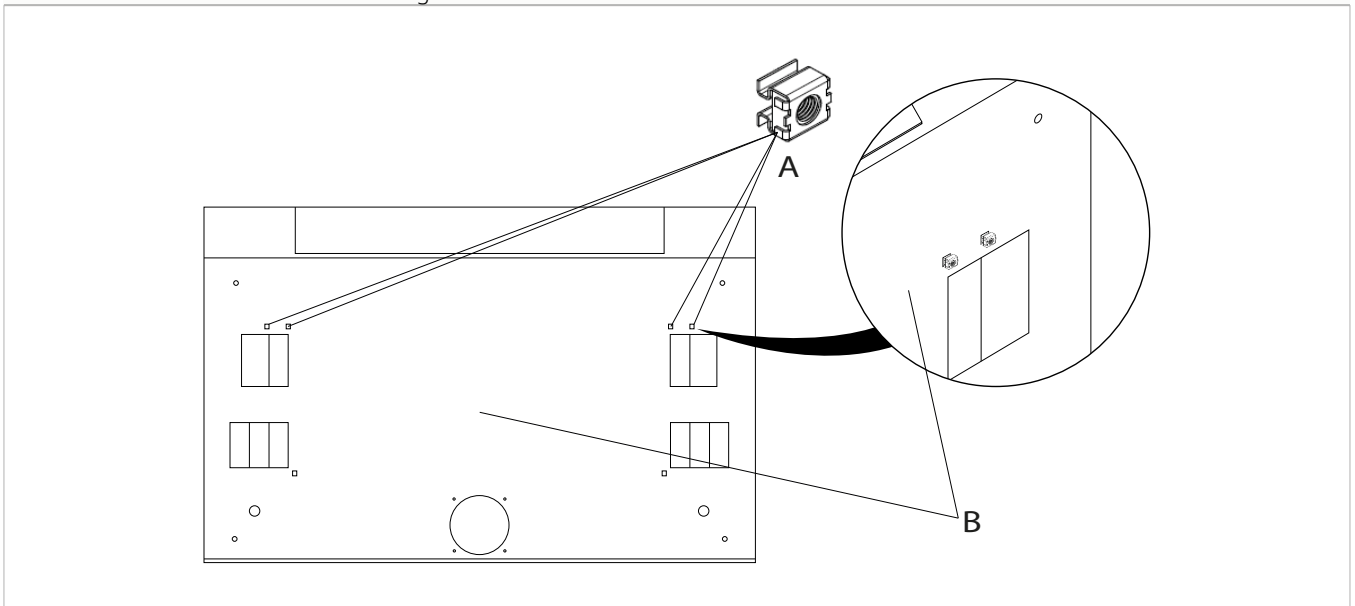
- A** Sheet metal backrest
- B** Sheet metal shoulder
- C** Sheet metal base



Vertical installation with horizontal air flow direction

- fit the 6 M6 cage nuts on the rear of the metal casing

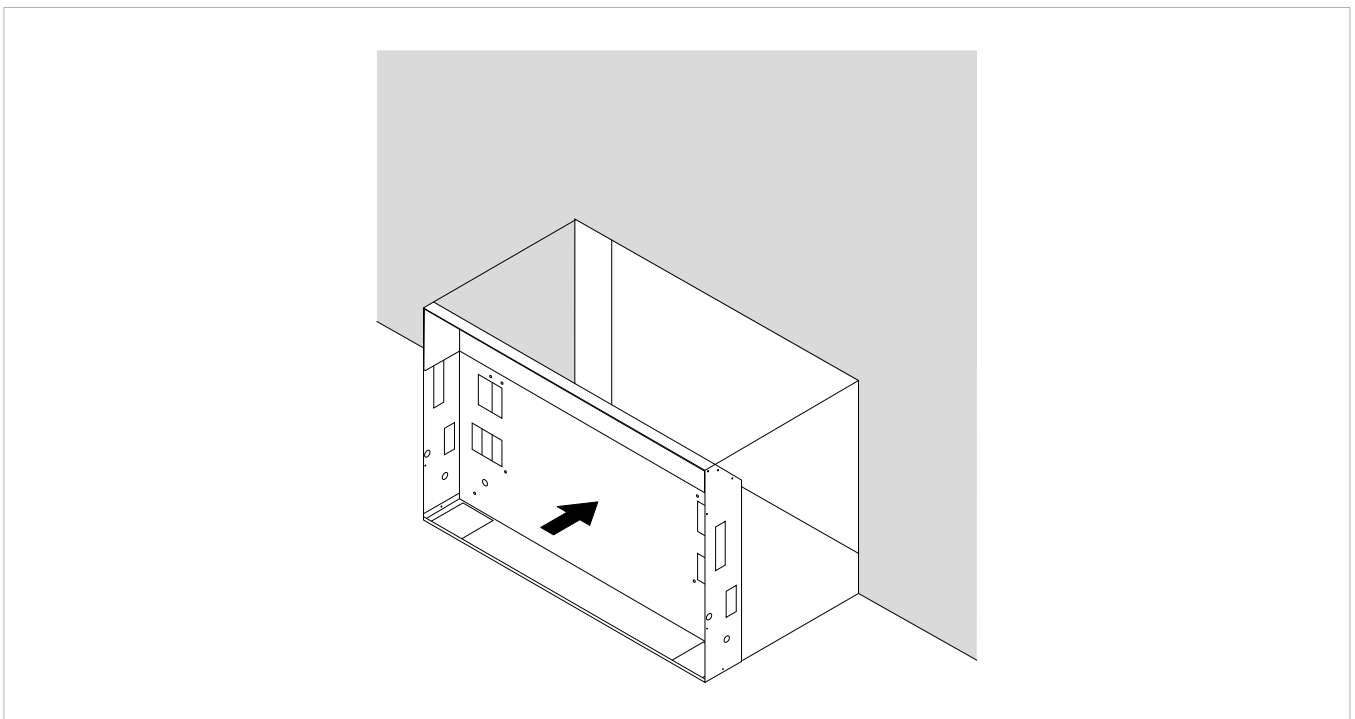
- A** Cage nut insertion holes
B Back / Exterior of the metal casing



- insert metal casing on wall
 - fix into the wall the metal casing
- ⚠ Make sure that the metal casing does not deform during installation.

⚠ It is necessary, for right functioning of the device, that during the whole installation phase the working space remains clean.

⚠ Regularly clear away waste offcuts, debris or dirt in the metal casing.

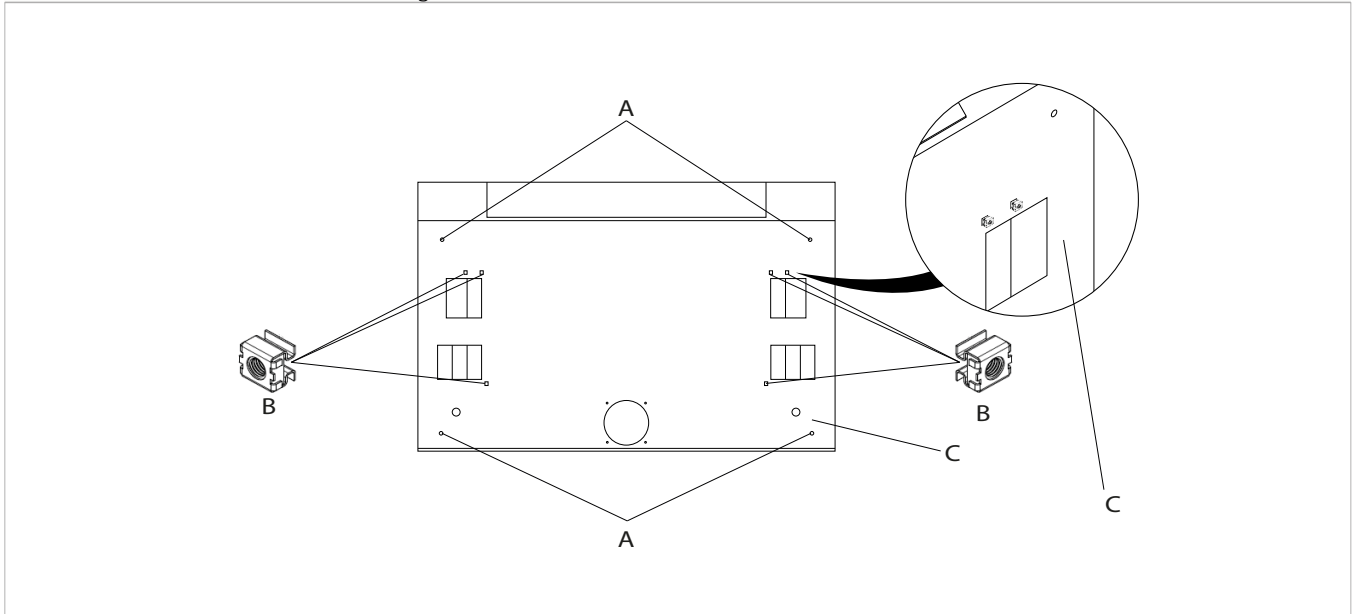


For the installation of built-in version and aesthetic panel kit, refer to their specific instructions.

Horizontal installation with free discharge

- drill holes in the ceiling at the cage nuts
- drill holes in the ceiling for fixing the unit

- A** Metal casing fixing holes
- B** Caged nuts
- C** Back / Exterior of the metal casing



- insert the plugs
- insert metal casing on ceiling hole
- fix metal casing to ceiling
- lock the structure with fixing screws

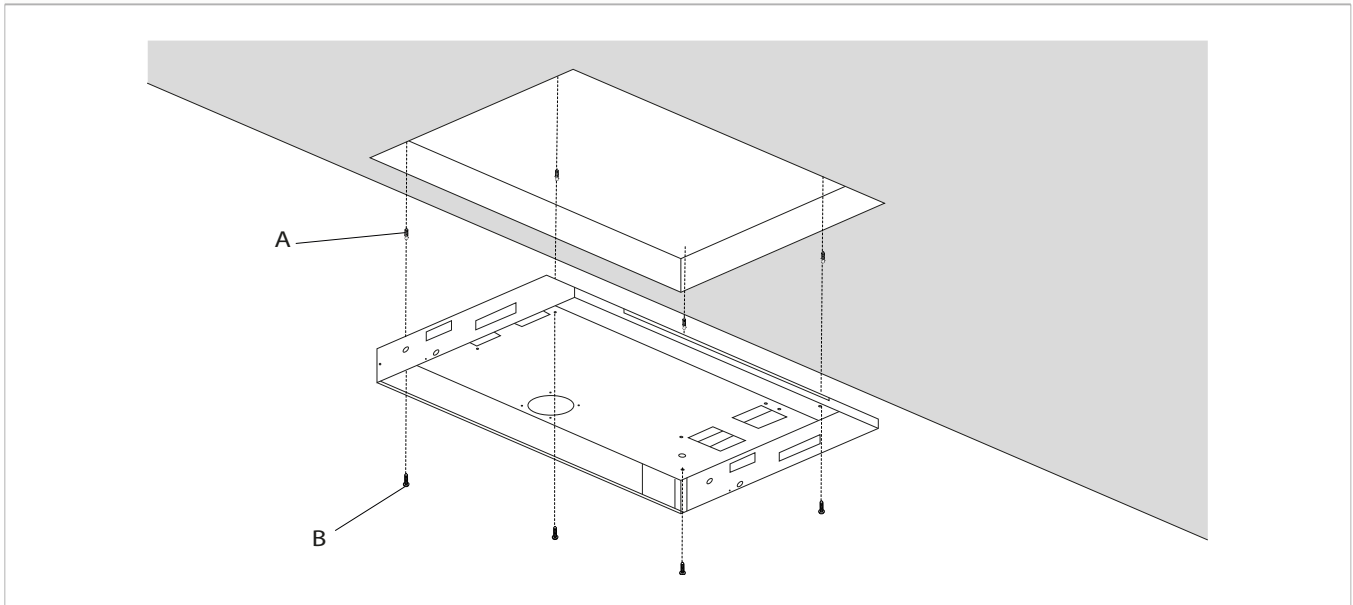
- ⚠ Apply right plugs relating structure weight.
- ⚠ Use nuts and washers provided with plugs.

⚠ Make sure that the metal casing does not deform during installation.

⚠ It is necessary, for right functioning of the device, that during the whole installation phase the working space remains clean.

⚠ Regularly clear away waste offcuts, debris or dirt in the metal casing.

- A** Plugs
- B** Screws and washers

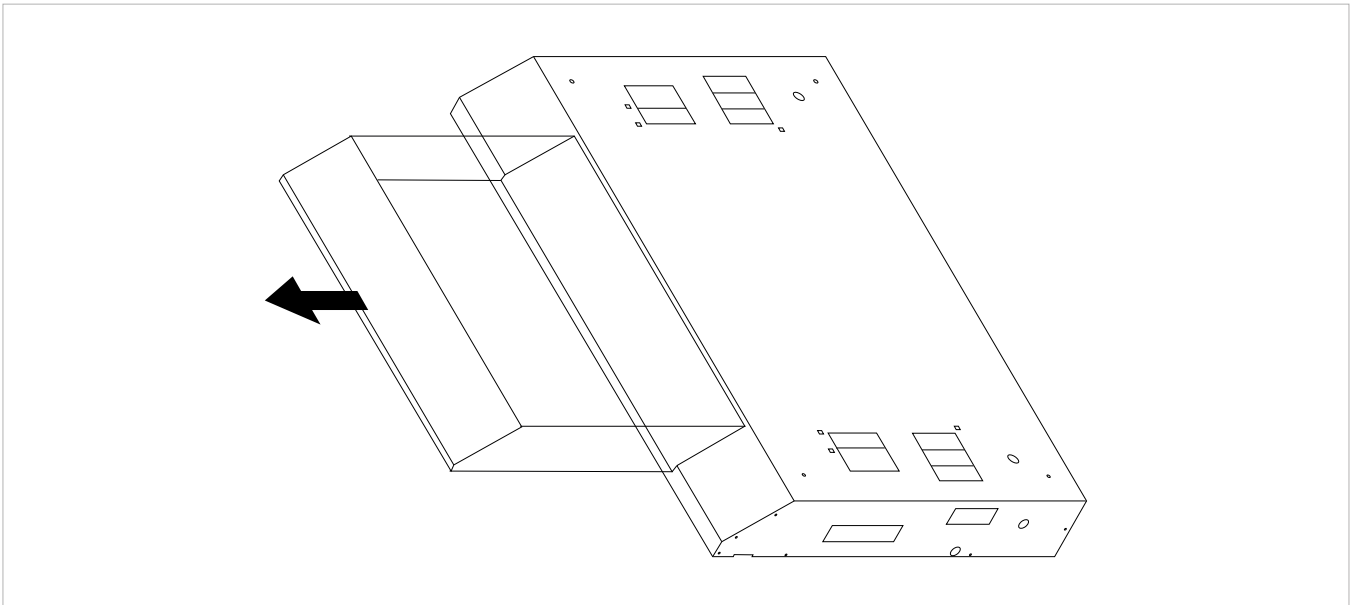


For the installation of built-in version and aesthetic panel kit, refer to their specific instructions.

Horizontal installation in false ceiling direct with ducted outlet

Preparation

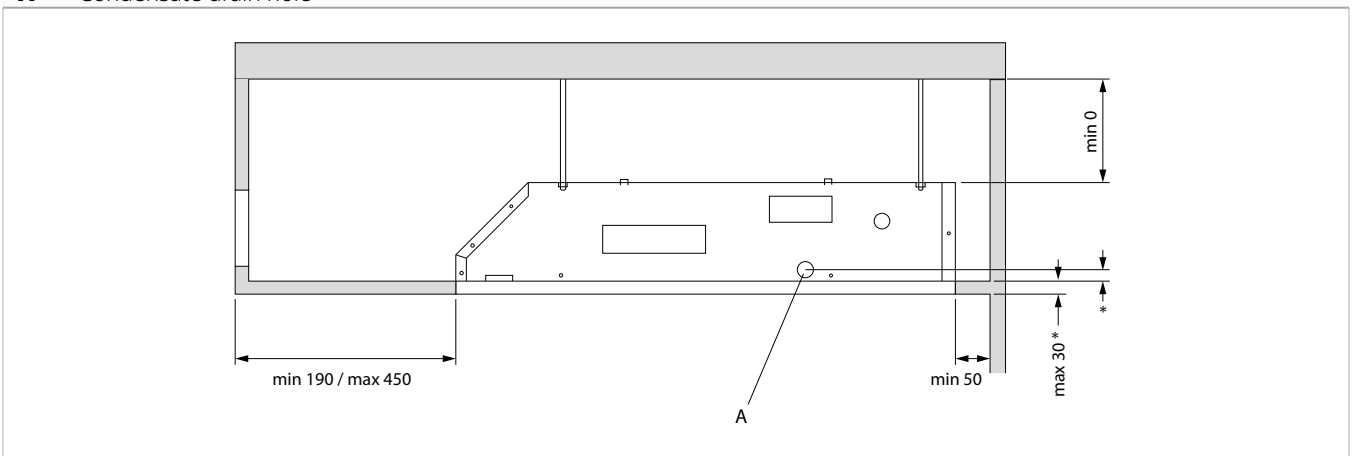
- remove sheet metal portion reserved to duct on the top



- drill the holes in the wall and in the ceiling, respecting the minimum spaces

⚠ If fancoil works in cooling, gypsum board thickness shall be under gypsum brackets, so that condensate drain will be rightly sloped. (*)

A Condensate drain hole

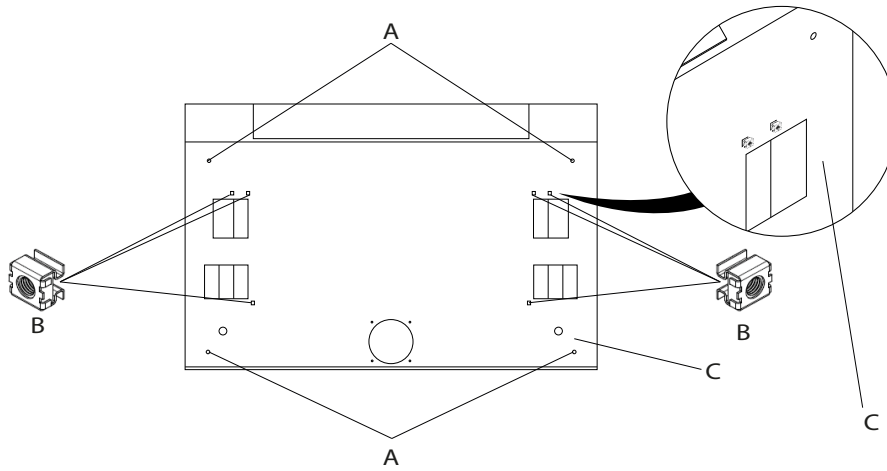


Installation directly to ceiling

If gypsum metal casing will be fix directly to ceiling (without distanceres), proceed as following:

- drill holes in the ceiling at the cage nuts
- drill holes in the ceiling for fixing the unit

- A** Metal casing fixing holes
- B** Caged nuts
- C** Back / Exterior of the metal casing



- insert the plugs
- insert metal casing on ceiling hole
- fix metal casing to ceiling
- lock the structure with fixing screws

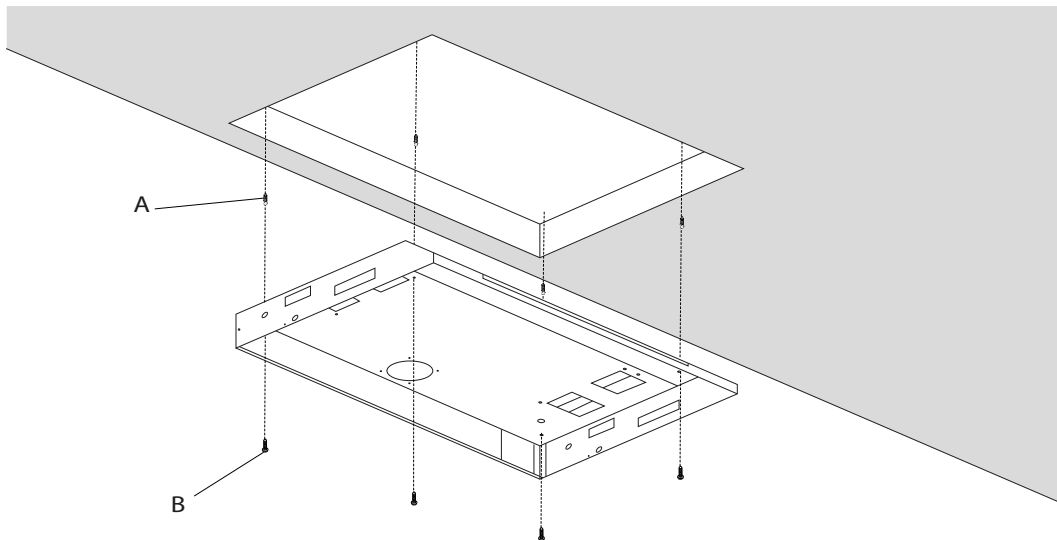
- ⚠ Apply right plugs relating structure weight.
- ⚠ Use nuts and washers provided with plugs.

⚠ Make sure that the metal casing does not deform during installation.

⚠ It is necessary, for right functioning of the device, that during the whole installation phase the working space remains clean.

⚠ Regularly clear away waste offcuts, debris or dirt in the metal casing.

- A** Plugs
- B** Screws and washers

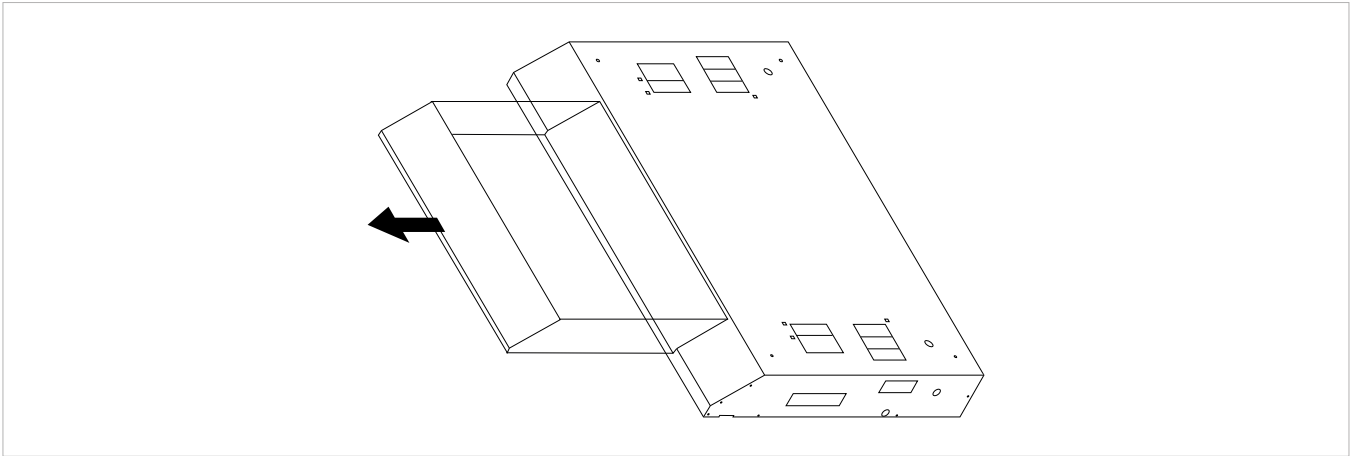


For the installation of built-in version and aesthetic panel kit, refer to their specific instructions.

Horizontal installation in false ceiling with anchors detached from the ceiling and ducted outlet

Preparation

remove sheet metal portion reserved to duct on the top



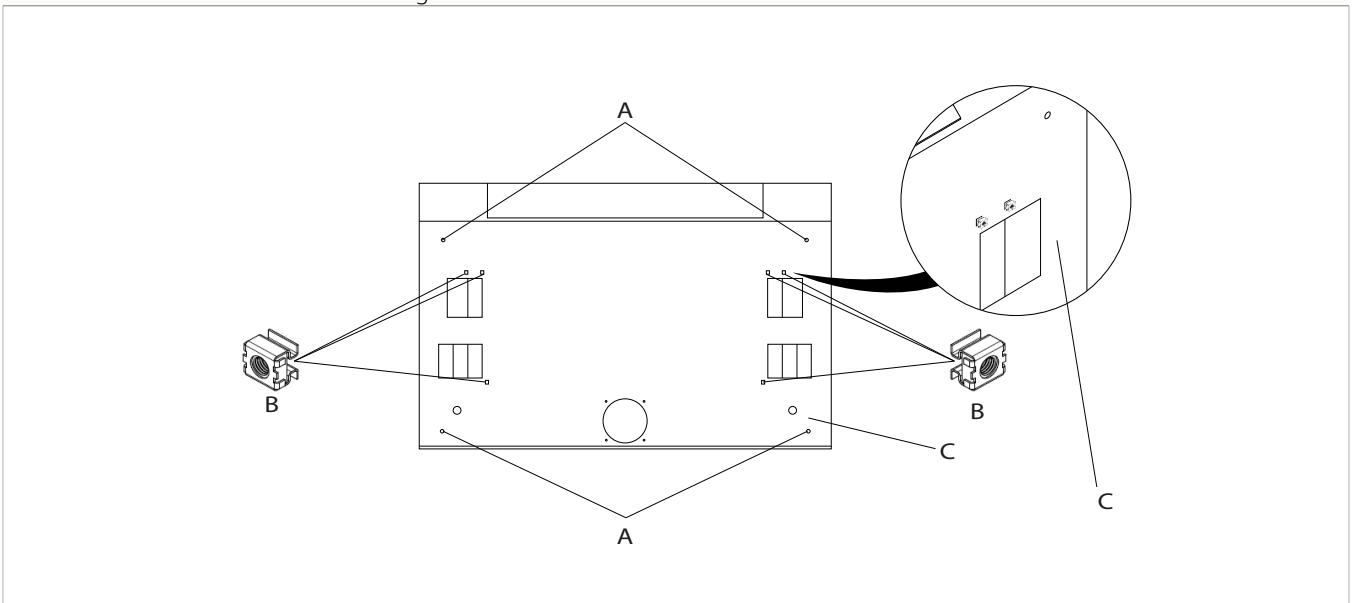
Installation with suspended false ceiling

If metal casing will fix suspended, proceed as following:

- drill holes in the ceiling at the cage nuts

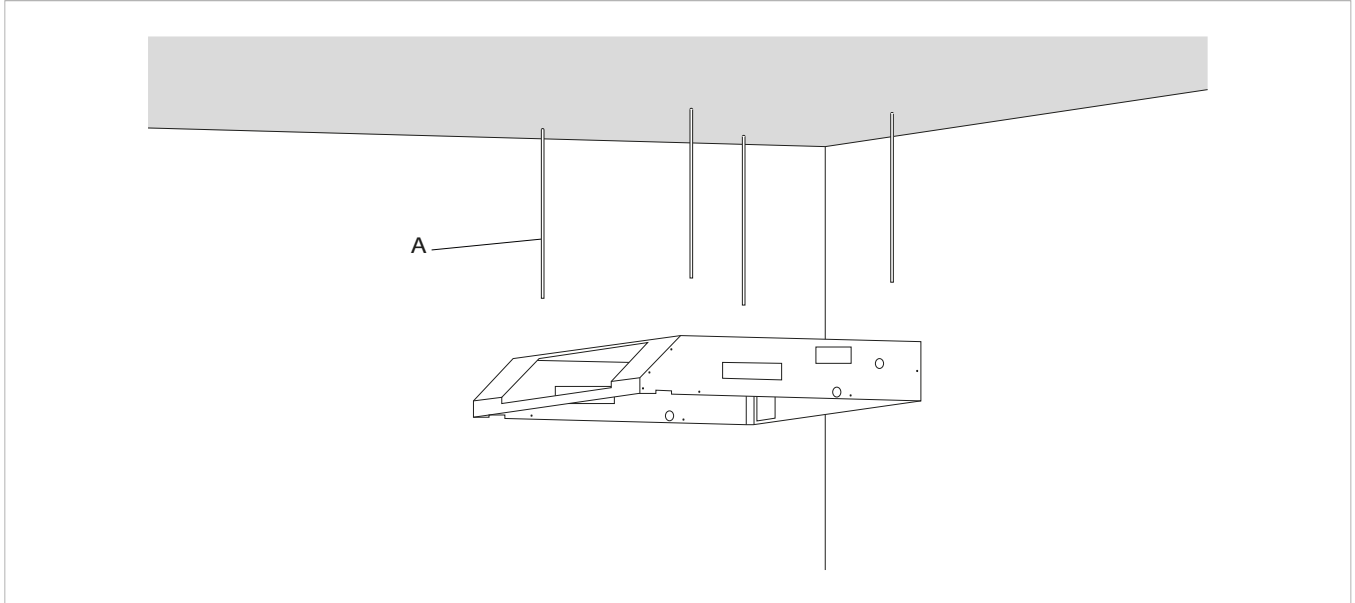
- drill holes in the ceiling for fixing the unit

- A** Metal casing fixing holes
- B** Caged nuts
- C** Back / Exterior of the metal casing



- fix metal casing with rods
- lock structure with 4 holes in metal casing
- use nuts and washers suitable with rods

- A** Distancers
B Metal casing



- ⚠ Apply right plugs relating structure weight.
- ⚠ Use nuts and washers provided with plugs.
- ⚠ Make sure that the metal casing does not deform during installation.
- ⚠ It is necessary, for right functioning of the device, that during the whole installation phase the working space remains clean.
- ⚠ Regularly clear away waste offcuts, debris or dirt in the metal casing.

For the installation of built-in version and aesthetic panel kit, refer to their specific instructions.