

# METAL CASING FOR BUILT-IN INSTALLATION FULLY ALIGNED WITH THE WALL KIT L01040II - L01041II - L01042II - L01043II - L01044II - L01049II - L01050II - L01051II - L01052II - L01053II

## Warnings

- ⚠ This instruction is an integral part of the booklet of the appliance on which the kit is installed. Please consult this booklet for general warnings and fundamental safety rules.
- ⚠ For a rapid and right assembly of the components follow carefully the sequences described in the various sections.
- ⚠ All the operations must be performed by qualified personnel using the required Personal Protective Equipment.
- ⚠ It is necessary, for right functioning of the device, that during the whole installation phase the working space remains clean.
- ⚠ Regularly clear away waste offcuts, debris or dirt.

## Match

### For SLI and RSI models:

- L01040II - Metal casing for built-in installation fully aligned with the wall for SLI/ RSI 200 models
- L01041II - Metal casing for built-in installation fully aligned with the wall for SLI/ RSI 400 models
- L01042II - Metal casing for built-in installation fully aligned with the wall for SLI/ RSI 600 models
- L01043II - Metal casing for built-in installation fully aligned with the wall for SLI/ RSI 800 models
- L01044II - Metal casing for built-in installation fully aligned with the wall for SLI/ RSI 1000 models

### For SLSI models:

- L01049II - Metal casing for built-in installation fully aligned with the wall for SLSI 200 models
- L01050II - Metal casing for built-in installation fully aligned with the wall for SLSI 400 models
- L01051II - Metal casing for built-in installation fully aligned with the wall for SLSI 600 models
- L01052II - Metal casing for built-in installation fully aligned with the wall for SLSI 800 models
- L01053II - Metal casing for built-in installation fully aligned with the wall for SLSI 1000 models

## Installation mode

### Available installations:

- vertical with horizontal air flow direction
- horizontal above false ceiling with ducted air flow outlet (only for SLI models)

### Ducted above false ceiling horizontal installation is available in two options:

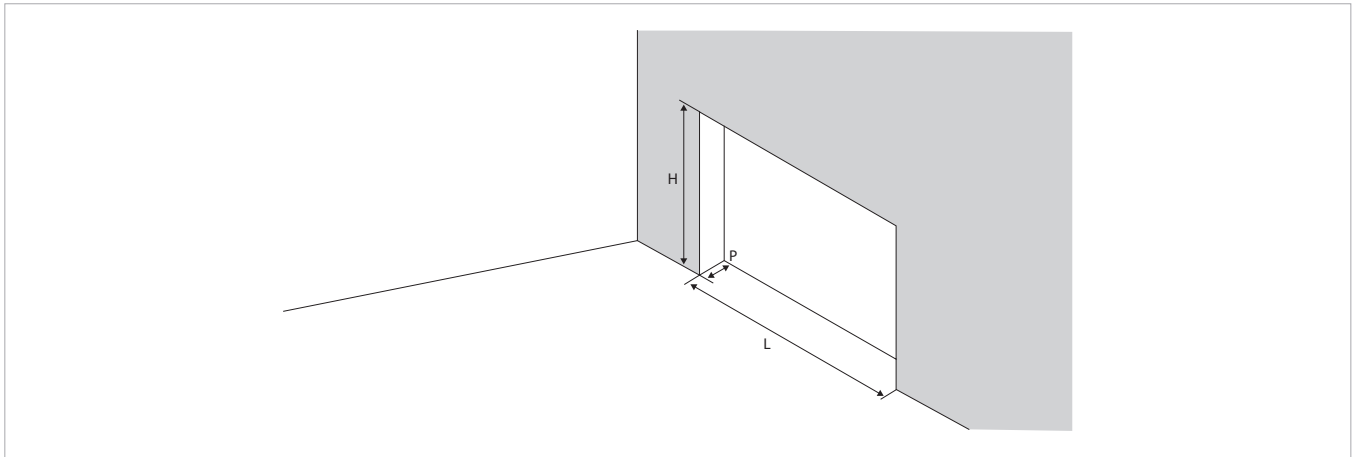
- close to ceiling
- above false ceiling with distancers from ceiling

- ⚠ In case of ceiling installation, in order to allow a proper disposal of the condensate, provide for the installation of a disposal pump inside the formwork.

## Installation arrangement

For metal casing installation get ready the wall concealing or false ceiling.

- ⚠ Leave adequate perimeter space for proper installation of the plaster holder nets.
- ⚠ Make sure that the support wall or ceiling are able to support the weight of the appliance.
- ⚠ Make sure that the wall or ceiling are not crossed by pipelines, load-bearing construction elements or power lines.
- ⚠ Make sure that the metal casing does not deform during installation.



Code		L01040II	L01041II	L01042II	L01043II	L01044II
Target device		SLI 200	SLI 400	SLI 600	SLI 800	SLI 1000
L	mm	734	934	1134	1334	1534
H	mm	745	745	745	745	745
P	mm	162	162	162	162	162

Code		L01049II	L01050II	L01051II	L01052II	L01053II
Target device		SLSI 200	SLSI 400	SLSI 600	SLSI 800	SLSI 1000
L	mm	734	934	1134	1334	1534
H	mm	545	545	545	545	545
P	mm	142	142	142	142	142

### Internal dimensions

⚠ When leveling the wall, check that the following internal dimensions of the metal casing are present.

		AirLeaf SLI				
Models	m.u.	200	400	600	800	1000
<b>Dimensioni interne cassaforma</b>						
Width	mm	708	908	1108	1308	1508
Height	mm	718	718	718	718	718

		AirLeaf SLSI				
Models	m.u.	200	400	600	800	1000
<b>Dimensioni interne cassaforma</b>						
Width	mm	708	908	1108	1308	1508
Height	mm	518	518	518	518	518

## Device preparation

### Supporting panel

The metal casing is supplied with a supporting panel. The supporting panel is required during transport and installation operations to prevent the formwork from deforming. It is still necessary to remove the supporting panel during certain operations.

#### Operations during which it is necessary to remove the supporting panel:

- adhesive plaster holder nets installation

- metal casing installation

#### Operations during which the supporting panel must not be removed:

- transport
- skimming

⚠ **Only remove the supporting panel permanently when the unit is to be inserted.**

### Pre-cut lines

⚠ The metal casing is equipped with pre-cuts in correspondence with the hydraulic and electrical connections of the appliance. Break the pre-cut necessary for through of pipes and electric cables.

- ▶ detach the part intended for the passage of the connections by breaking the pre-cuts

### Adhesive plaster holder nets

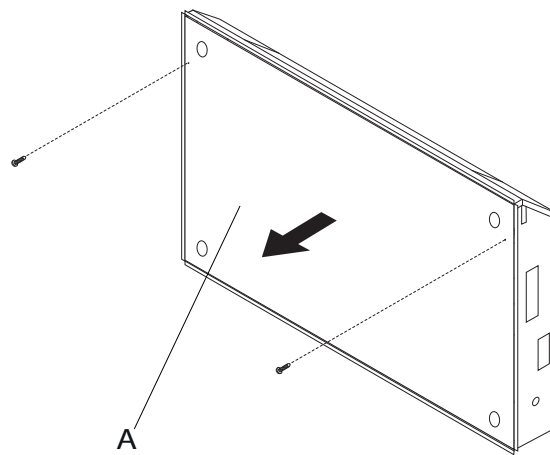
The adhesive plaster nets must be attached to the formwork before installation.

⚠ **The metal casing cannot be installed without the adhesive plaster holder nets.**

To attach the adhesive plaster holder mesh, the supporting panel must be removed

- ▶ unscrew the fixing screw
- ▶ remove the supporting panel

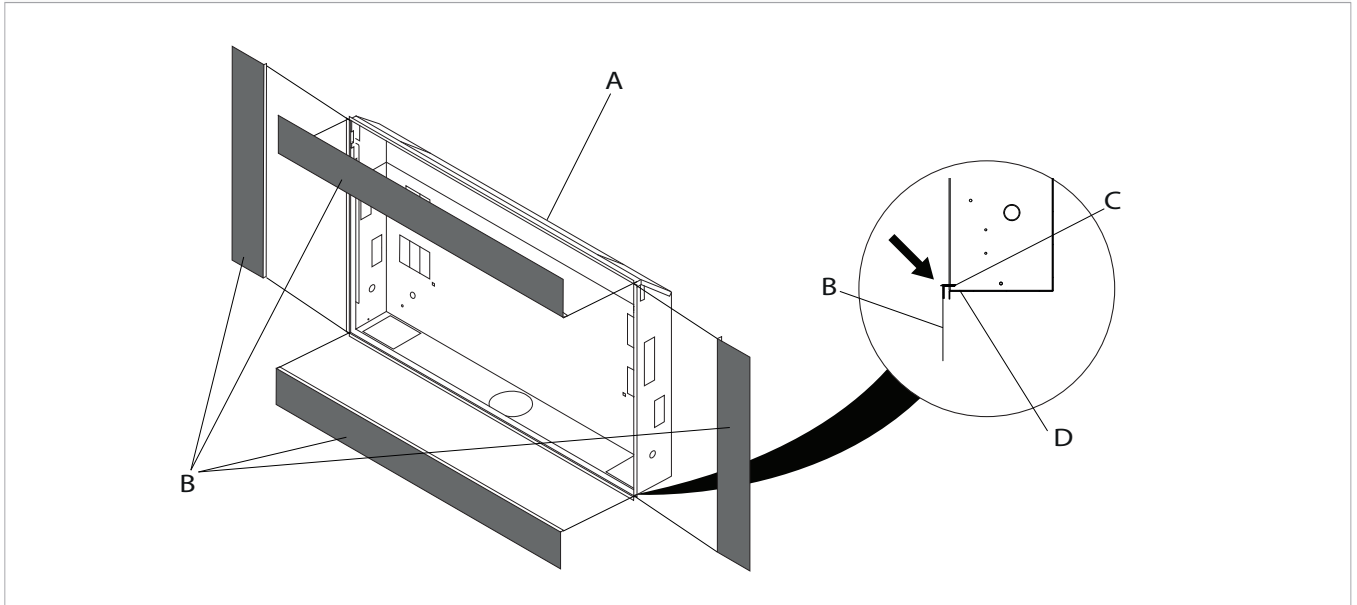
#### A Supporting panel



Installing the plaster holder nets

- ▶ remove the cover from the adhesive tape attached to the top of the net
- ▶ bring the net closer to the side of the formwork
- ▶ fixing the net
- ▶ proceed in this way for all sides of the formwork

- A** Metal casing
- B** Plaster holder mesh
- C** Adhesive tape
- D** Bottom side of formwork



## Vertical installation with horizontal air flow direction

⚠ The metal casing is equipped with pre-cuts in correspondence with the hydraulic and electrical connections of the appliance. Break the pre-cut necessary for through of pipes and electric cables.

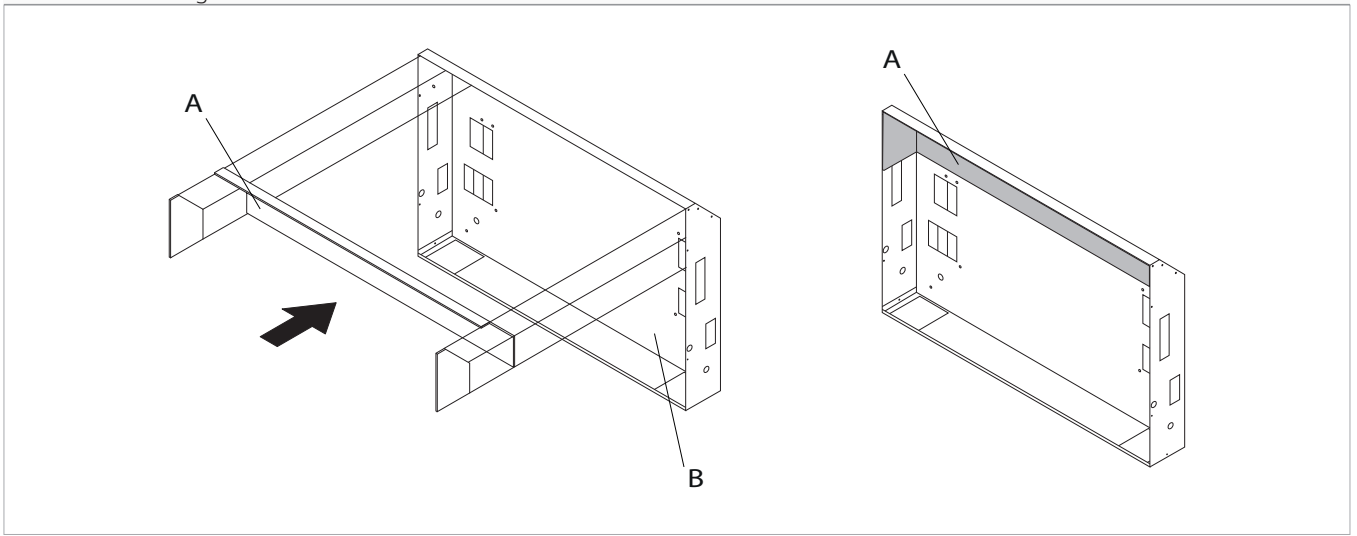
⚠ The metal casing cannot be installed without the adhesive plaster holder nets.

⚠ During the installation of the formwork, keep the edge of the plaster-holder mesh levelled with the finished wall.

### Preparation

► apply the supplied insulation

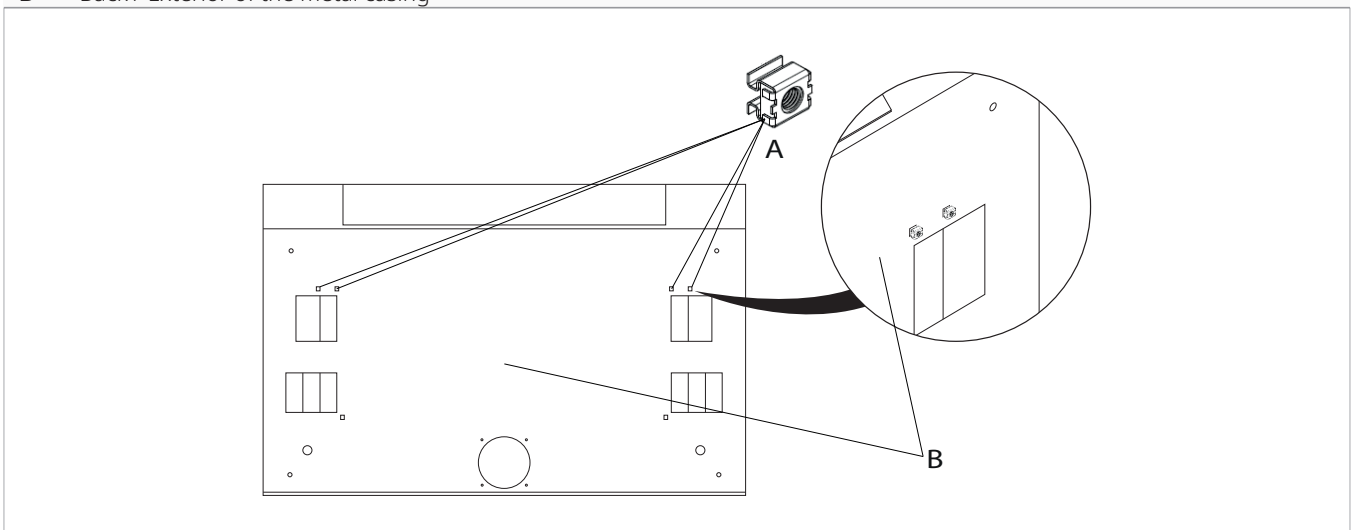
- A** Insulating
- B** Metal casing



### Installation

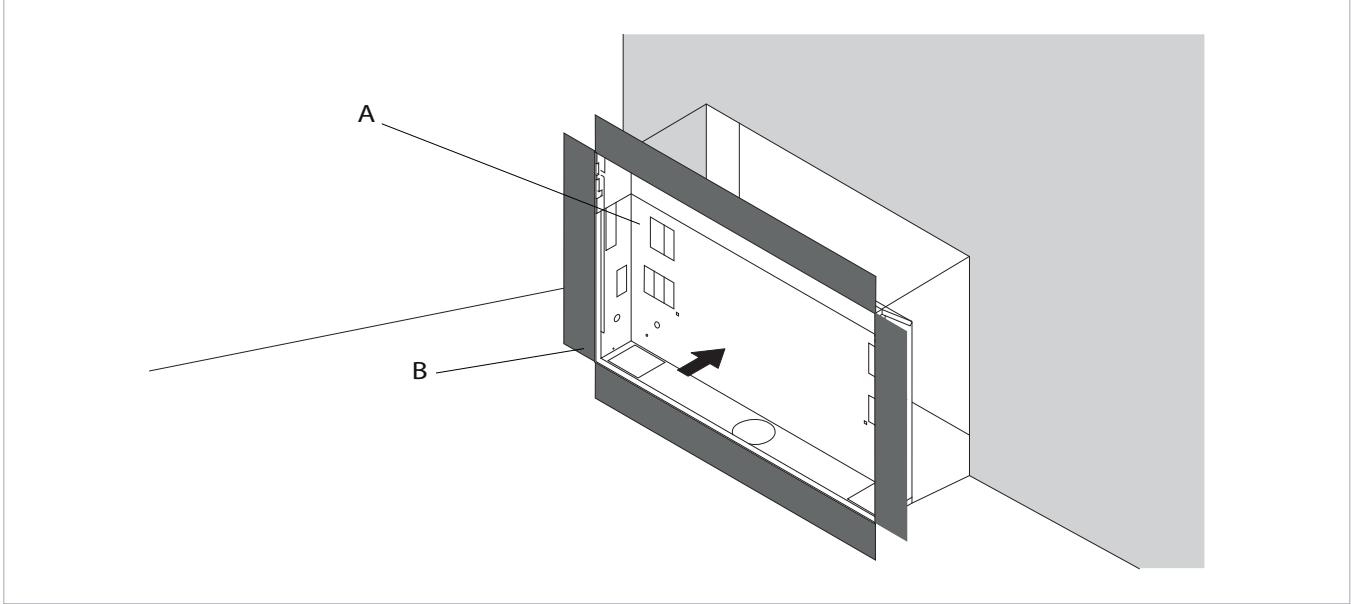
► fit the 6 M6 cage nuts on the rear of the metal casing

- A** Cage nut insertion holes
- B** Back / Exterior of the metal casing



► insert metal casing on wall

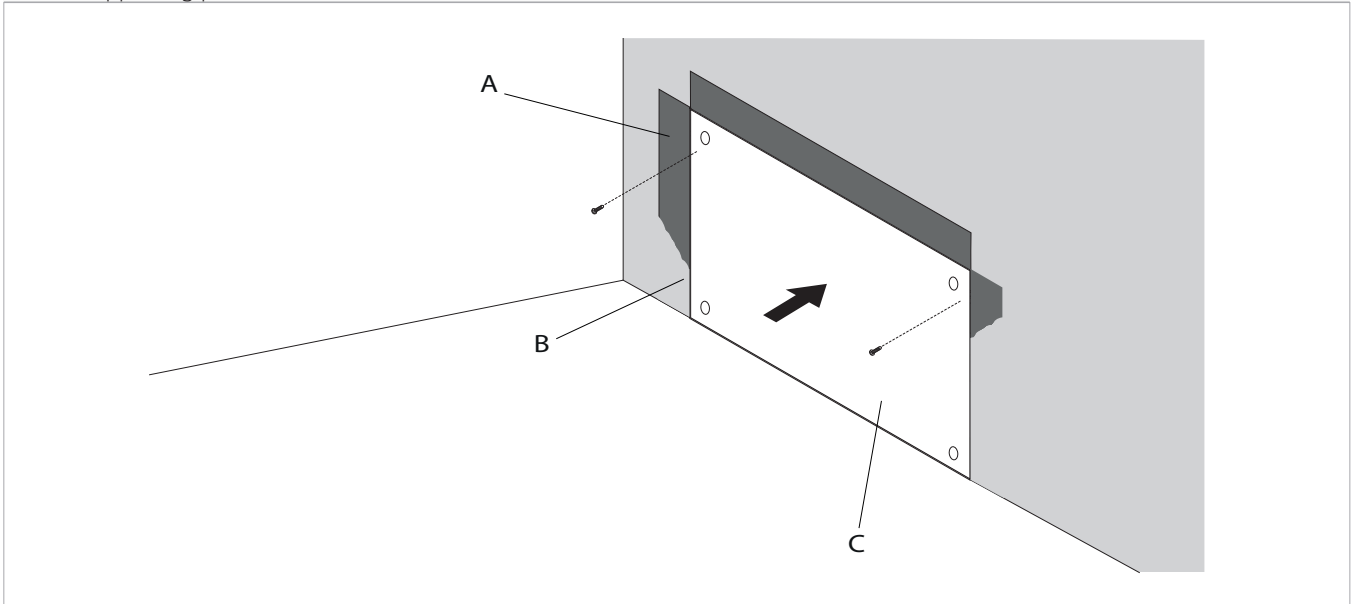
- A** Metal casing
- B** Plaster holder mesh



- ▶ fix into the wall the metal casing
- ▶ insert the supporting panel again
- ▶ fix the supporting panel with the screws

**⚠** Ensure that the supporting panel is installed when levelling the wall to guarantee that the internal dimensions useful for the correct installation of the unit body and the aesthetic panel are respected.

- A** Plaster holder mesh
- B** Skimming
- C** Supporting panel



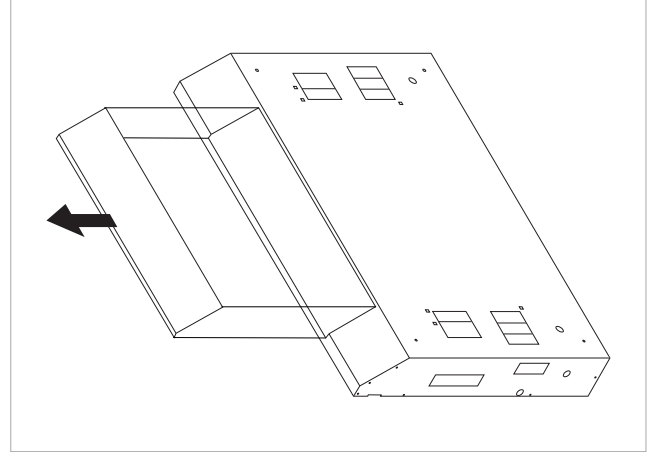
For the installation of built-in version and aesthetic panel kit, refer to their specific instructions.

## Above false ceiling horizontal installation with ducted outlet

- ⚠ In case of ceiling installation, in order to allow a proper disposal of the condensate, provide for the installation of a disposal pump inside the formwork.

### Preparation

- ▶ remove sheet metal portion reserved to duct on the top
  - ▶ drill the holes in the wall and in the ceiling, respecting the minimum spaces
- ⚠ If fancoil works in cooling, gypsum board thickness shall be under gypsum brackets, so that condensate drain will be rightly sloped.

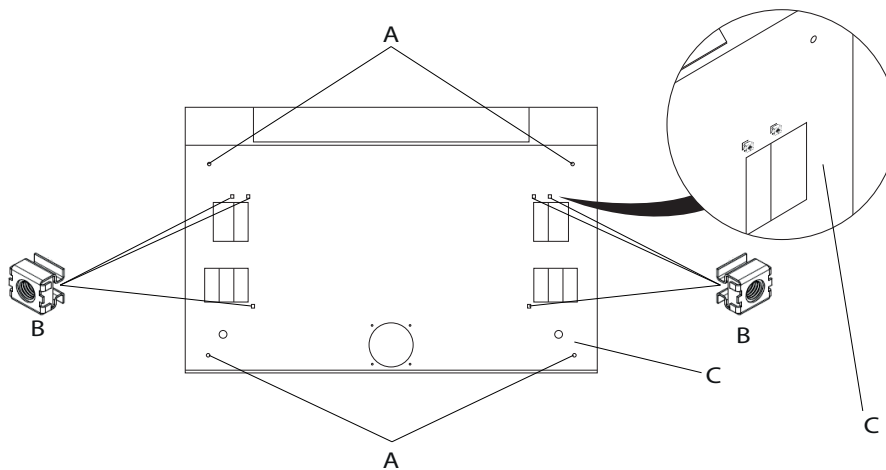


### Installation directly to ceiling

If gypsum metal casing will be fix directly to ceiling (without distanceres), proceed as following:

- ▶ drill holes in the ceiling at the cage nuts
- ▶ drill holes in the ceiling for fixing the unit

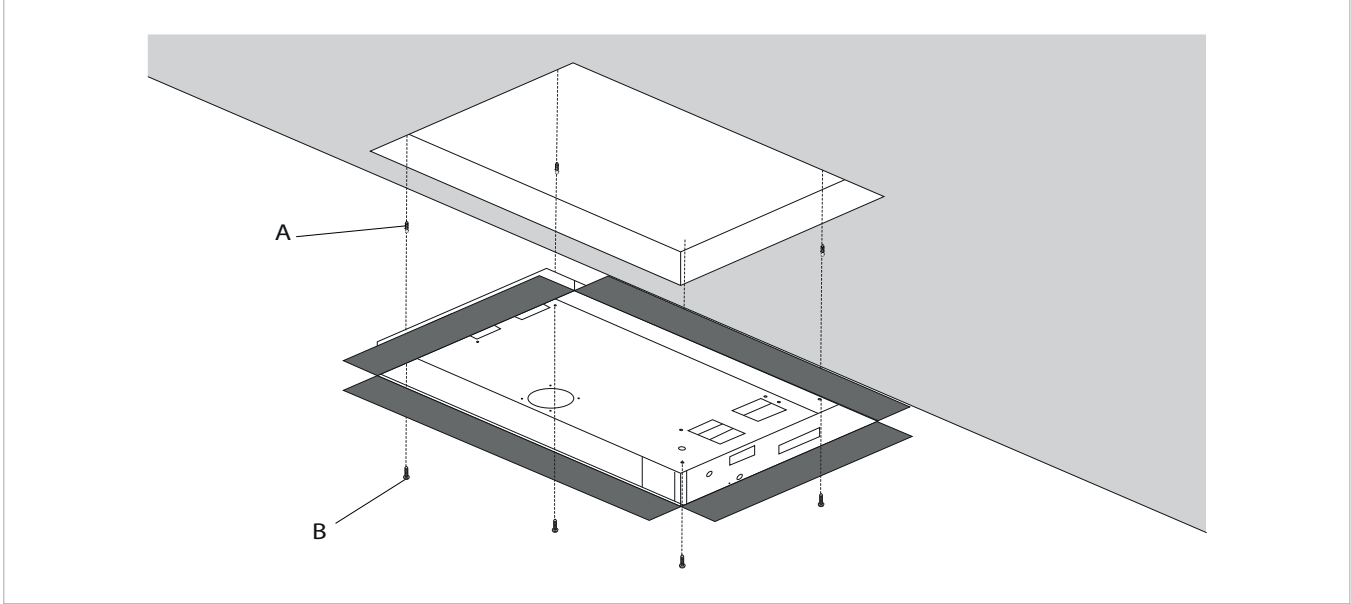
- |          |                                     |
|----------|-------------------------------------|
| <b>A</b> | Metal casing fixing holes           |
| <b>B</b> | Caged nuts                          |
| <b>C</b> | Back / Exterior of the metal casing |



- ▶ insert the plugs
- ▶ insert metal casing on ceiling hole
- ▶ fix metal casing to ceiling
- ▶ lock the structure with fixing screws

- ⚠ Apply right plugs relating structure weight.
- ⚠ Use nuts and washers provided with plugs.

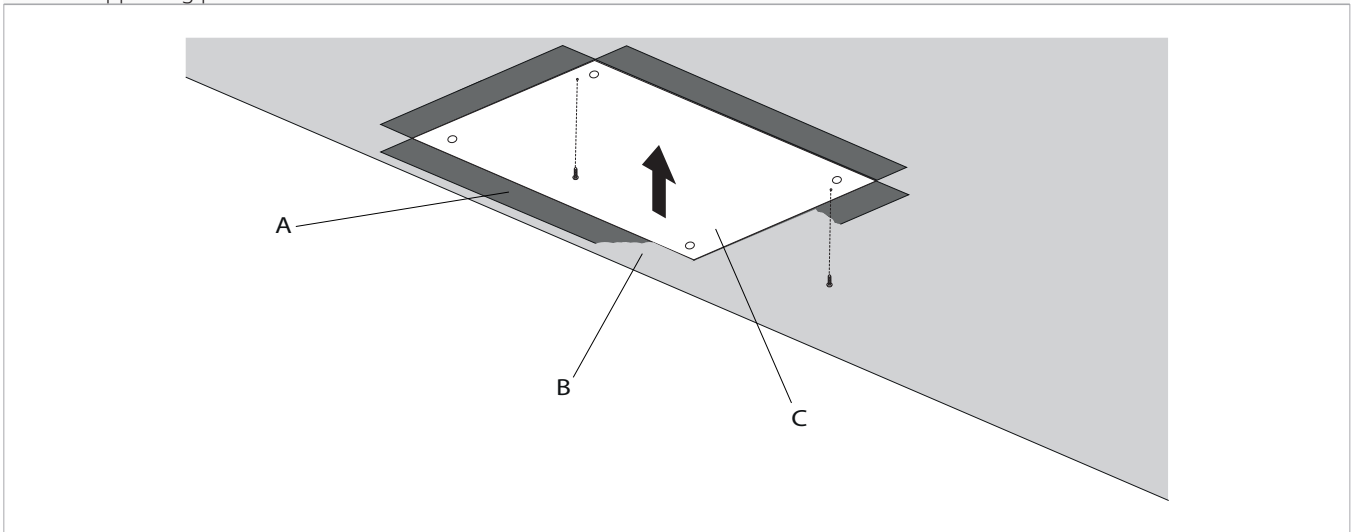
- A** Plugs
- B** Screws and washers



- ▶ insert the supporting panel again
- ▶ fix the supporting panel with the screws

**⚠** Ensure that the supporting panel is installed when levelling the wall to guarantee that the internal dimensions useful for the correct installation of the unit body and the aesthetic panel are respected.

- A** Plaster holder mesh
- B** Skimming
- C** Supporting panel



For the installation of built-in version and aesthetic panel kit, refer to their specific instructions.



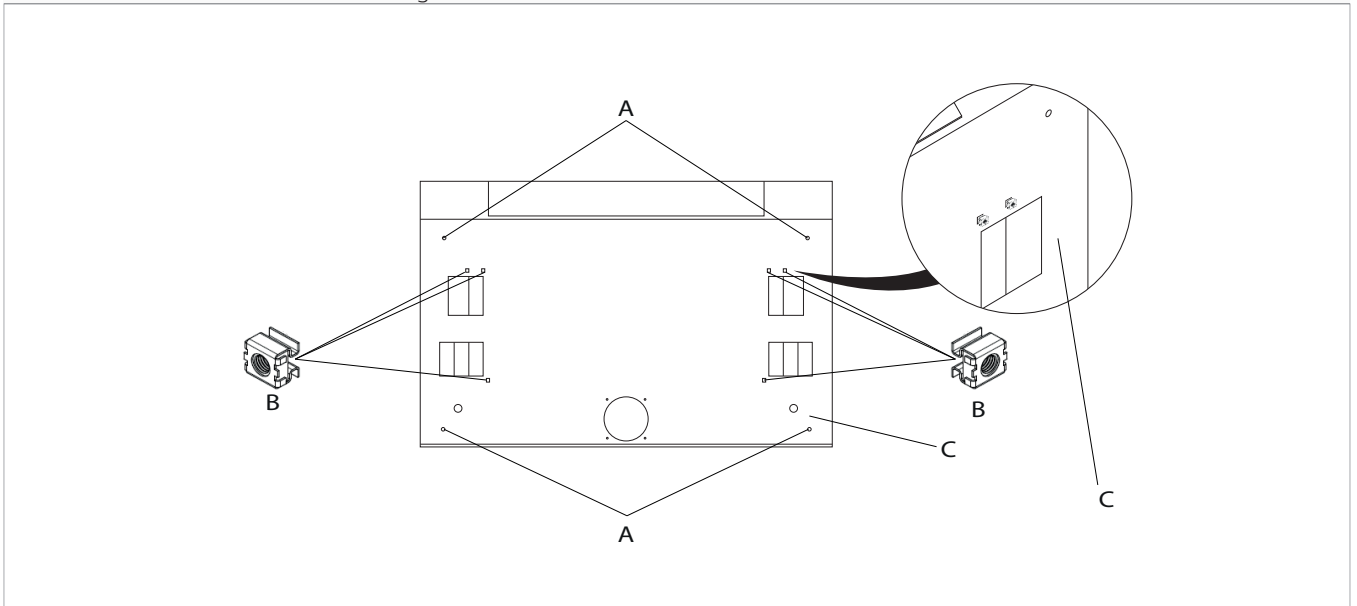
### Installation with suspended false ceiling

If metal casing will fix suspended, proceed as following:

▶ drill holes in the ceiling for fixing the unit

▶ drill holes in the ceiling at the cage nuts

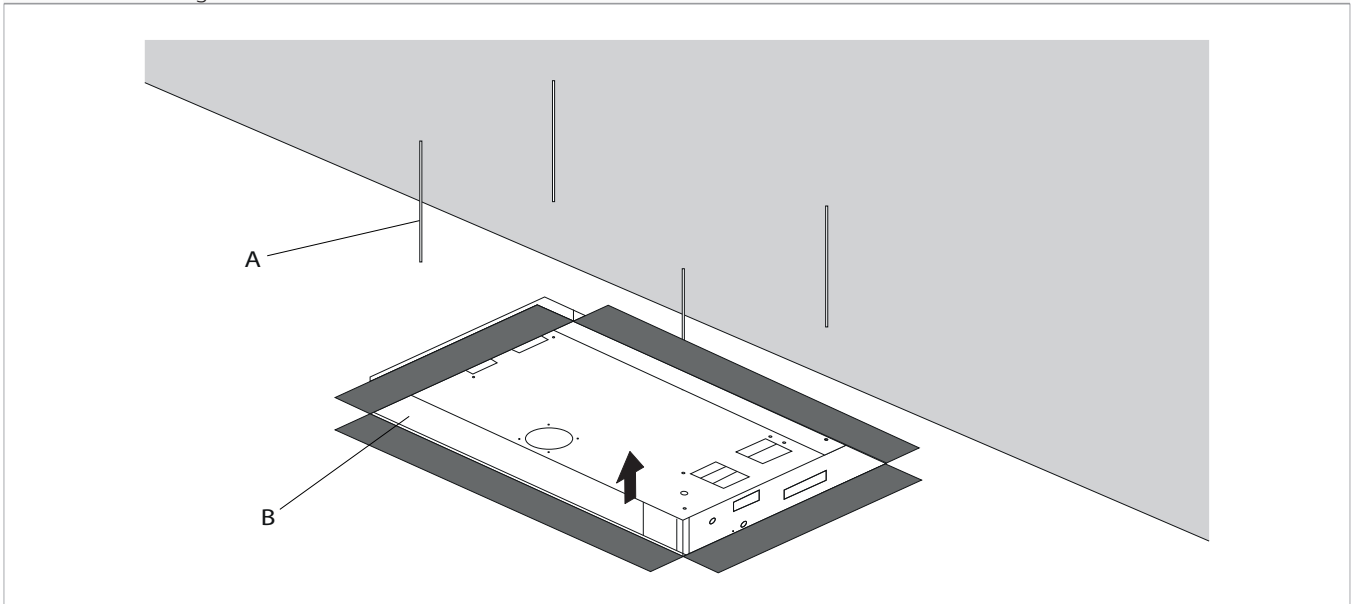
- A** Metal casing fixing holes
- B** Caged nuts
- C** Back / Exterior of the metal casing



- ▶ fix metal casing with rods
- ▶ lock structure with 4 holes in metal casing
- ▶ use nuts and washers suitable with rods

- ⚠ Apply right plugs relating structure weight.
- ⚠ Use nuts and washers provided with plugs.

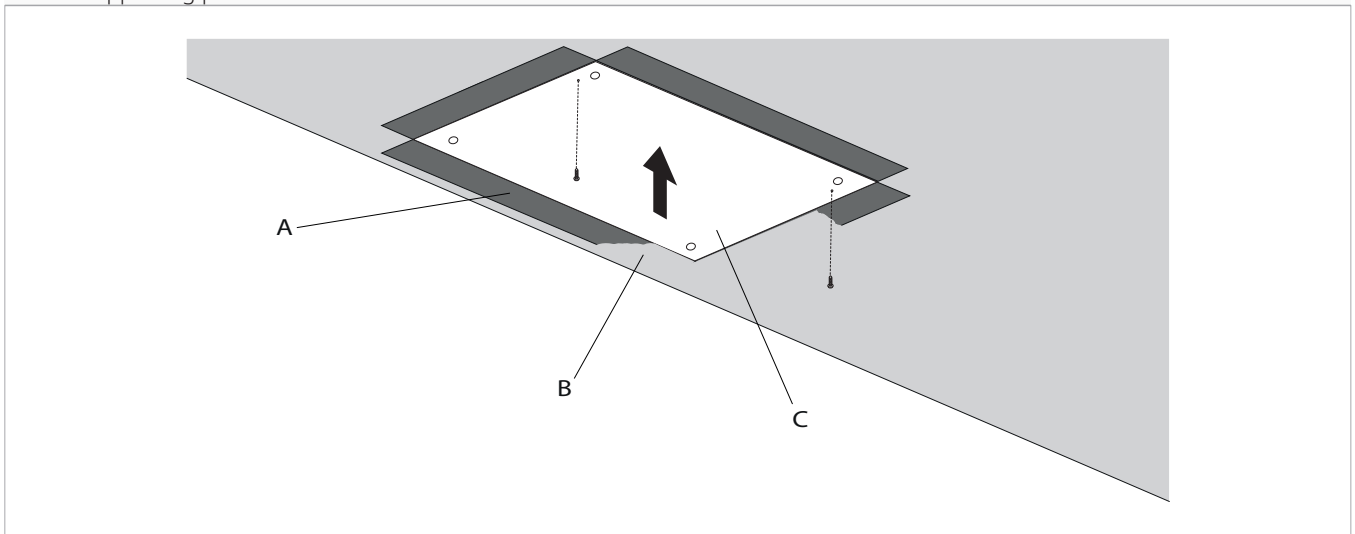
- A** Distancers
- B** Metal casing



- ▶ insert the supporting panel again
- ▶ fix the supporting panel with the screws

⚠ Ensure that the supporting panel is installed when levelling the wall to guarantee that the internal dimensions useful for the correct installation of the unit body and the aesthetic panel are respected.

- A** Plaster holder mesh
- B** Skimming
- C** Supporting panel



For the installation of built-in version and aesthetic panel kit, refer to their specific instructions.