

L01040II - L01041II - L01042II - L01043II - L01044II

Warnings

- ⚠ This instruction is an integral part of the booklet of the appliance on which the kit is installed. Please consult this booklet for general warnings and fundamental safety rules.
- ⚠ For a rapid and right assembly of the components follow carefully the sequences described in the various sections.
- ⚠ All the operations must be performed by qualified personnel using the required Personal Protective Equipment.

List of accessories

SLI models:

- L01040II - Metal casing for rasomuro recessed installation SLI 200 models
- L01041II - Metal casing for rasomuro recessed installation SLI 400 models
- L01042II - Metal casing for rasomuro recessed installation SLI 600 models
- L01043II - Metal casing for rasomuro recessed installation SLI 800 models
- L01044II - Metal casing for rasomuro recessed installation SLI 1000 models

Assembly the built-in installation kit

Available installations:

- vertical with horizontal air flow direction
 - horizontal above false ceiling with ducted air flow outlet
- Ducted above false ceiling horizontal installation is available in two options:

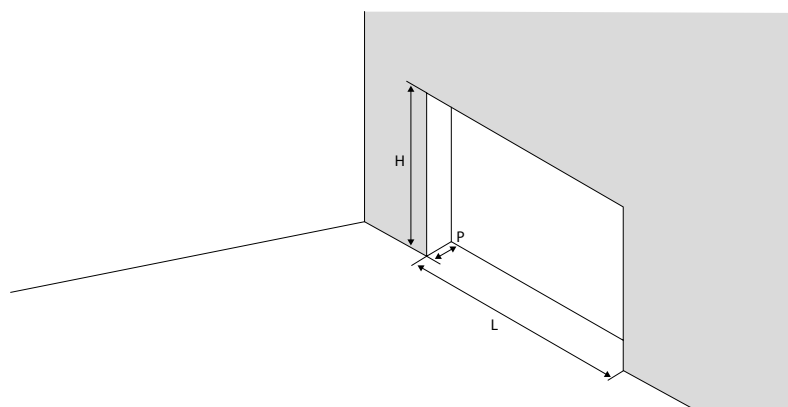
- close to ceiling
 - above false ceiling with distancers from ceiling
- ⚠ In case of ceiling installation, in order to allow a proper disposal of the condensate, provide for the installation of a disposal pump inside the formwork.

Installation arrangement

For metal casing installation get ready the wall concealing or false ceiling.

- ⚠ Make sure that the support wall is able to support the weight of the appliance.

- ⚠ Make sure that the wall is not crossed by pipelines, load-bearing construction elements or power lines.

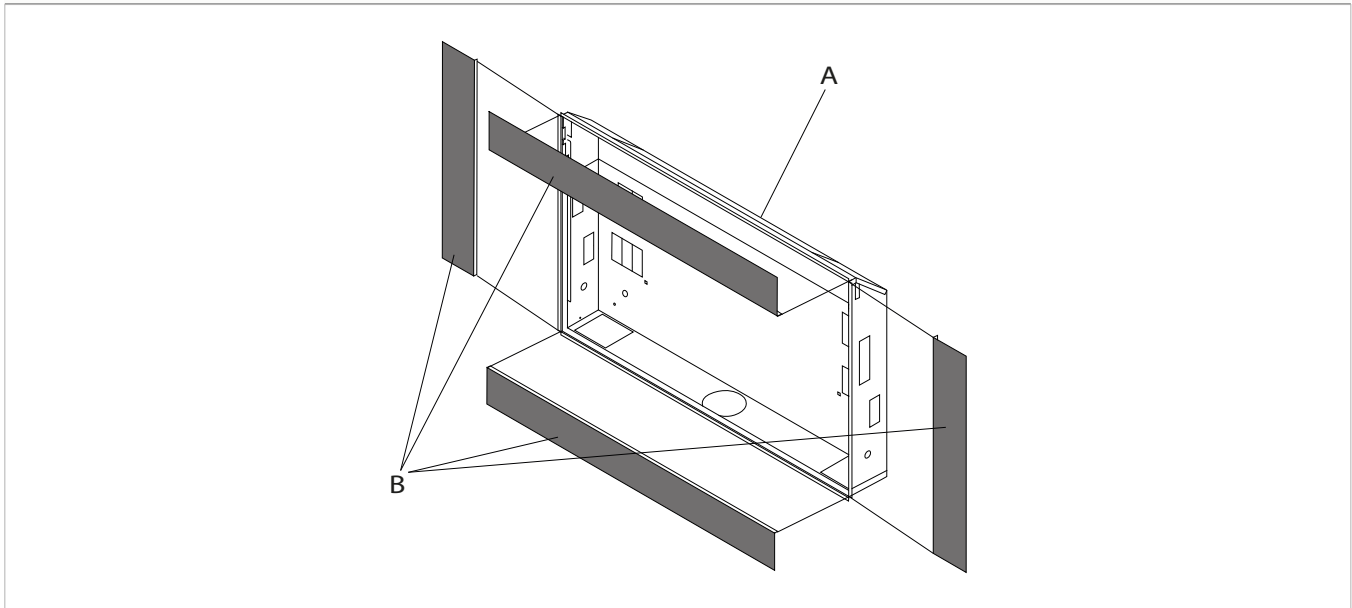


Code		L01040II	L01041II	L01042II	L01043II	L01044II
Target device		SLI 200	SLI 400	SLI 600	SLI 800	SLI 1000
L	mm	734	934	1134	1334	1534
H	mm	745	745	745	745	745
P	mm	142	142	142	142	142

Device preparation

The adhesive plaster nets must be attached to the formwork before installation.

- A** Metal casing
- B** Plaster holder mesh

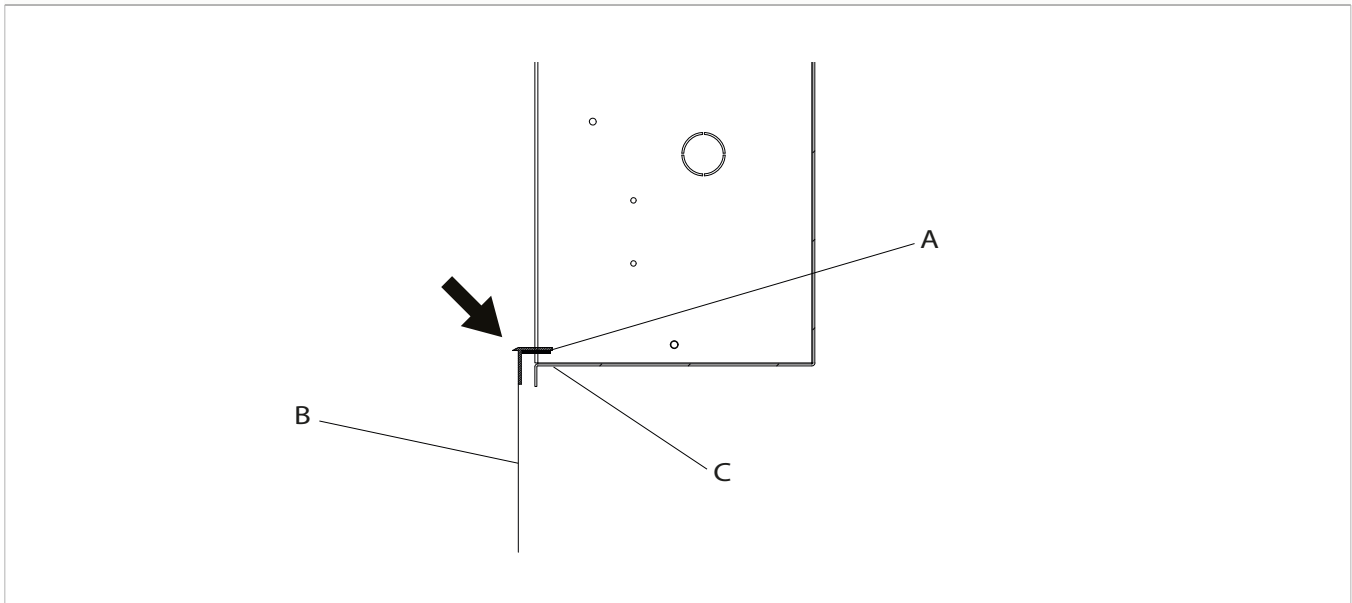


For fixing the adhesive plaster mesh:

- remove the cover from the adhesive tape attached to the top of the net

- bring the net closer to the side of the formwork
- fixing the net
- proceed in this way for all sides of the formwork

- A** Adhesive tape
- B** Plaster holder mesh
- C** Bottom side of formwork

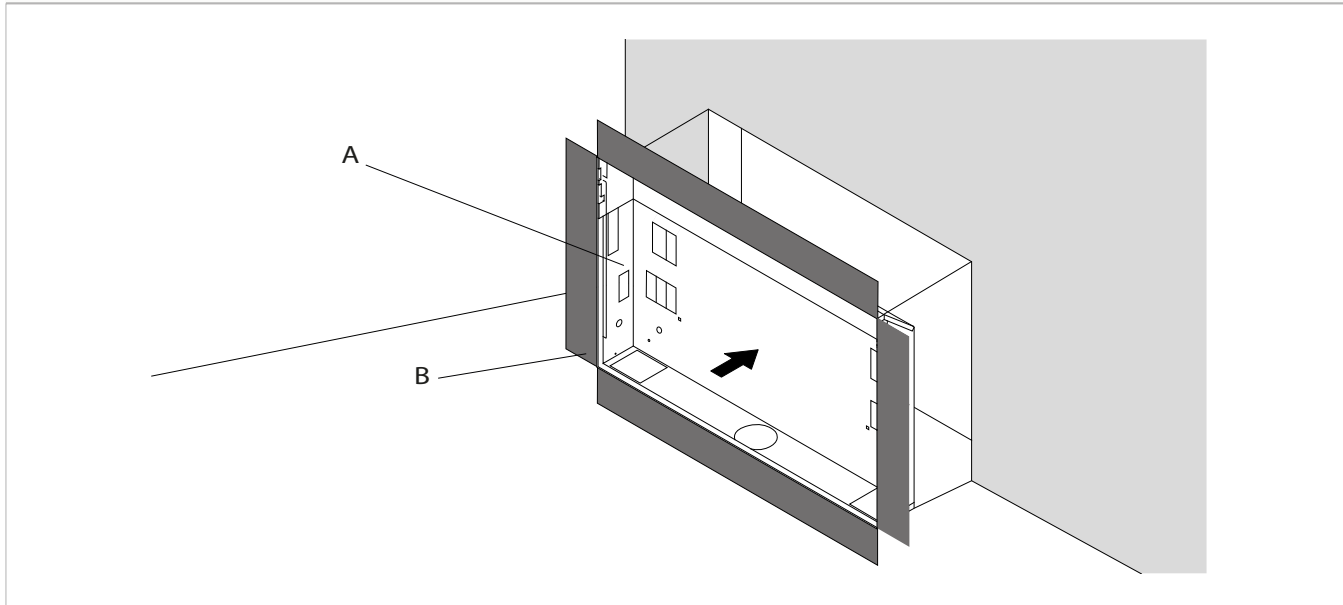


Vertical installation with horizontal air flow direction

⚠ The metal casing is equipped with pre-cuts in correspondence with the hydraulic and electrical connections of the appliance. Break the pre-cut necessary for through of pipes and electric cables.

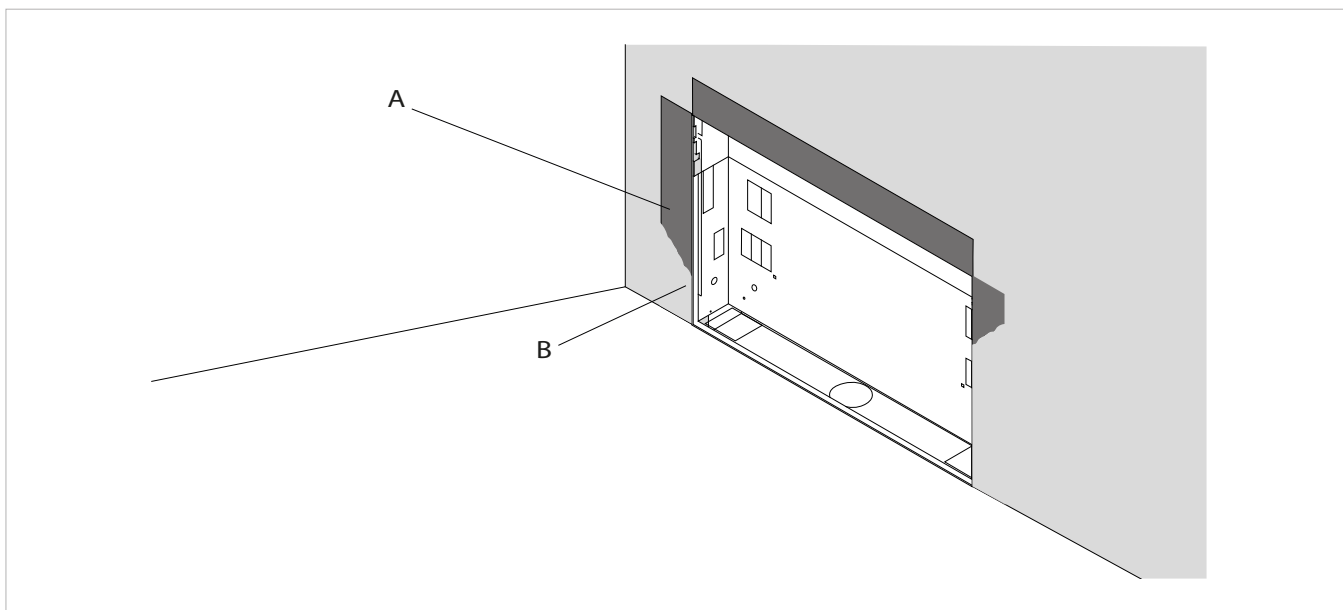
– insert metal casing on wall

- A** Metal casing
- B** Plaster holder mesh



– fix into the wall the metal casing

⚠ During the installation of the formwork, keep the edge of the plaster-holder mesh levelled with the finished wall.



When leveling the wall, check that the following internal dimensions of the metal casing are present:

Models	m.u.	AirLeaf SLI 200	AirLeaf SLI 400	AirLeaf SLI 600	AirLeaf SLI 800	AirLeaf SLI 1000
Internal metal casing dimensions						
Total width	mm	708	908	1108	1308	1508
Total height	mm	718	718	718	718	718

⚠ Make sure that the metal casing does not deform during installation.

⚠ It is necessary, for right functioning of the device, that during the whole installation phase the working space remains clean.

⚠ Regularly clear away waste offcuts, debris or dirt in the metal casing.

For the installation of built-in version and aesthetic panel kit, refer to their specific instructions.

Above false ceiling horizontal installation with ducted outlet

⚠ In case of ceiling installation, in order to allow a proper disposal of the condensate, provide for the installation of a disposal pump inside the formwork.

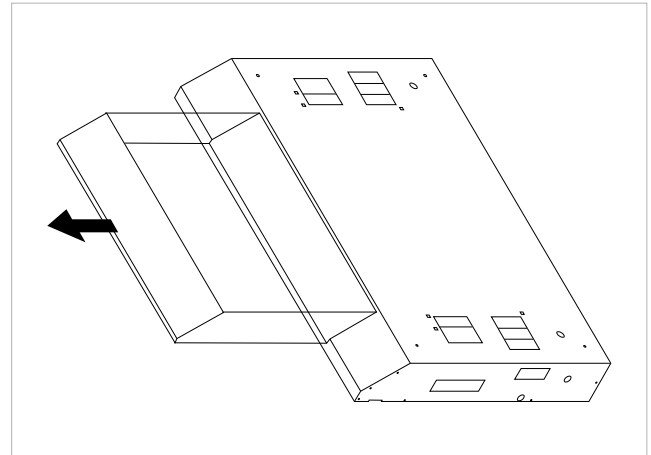
Preparation

⚠ The metal casing is equipped with pre-cuts in correspondence with the hydraulic and electrical connections of the appliance. Break the pre-cut necessary for through of pipes and electric cables.

⚠ During metal case installation, keep the plaster net edge levelled to finished wall or false ceiling.

– remove sheet metal portion reserved to duct on the top

⚠ If fancoil works in cooling, gypsum board thickness shall be under gypsum brackets, so that condensate drain will be rightly sloped.

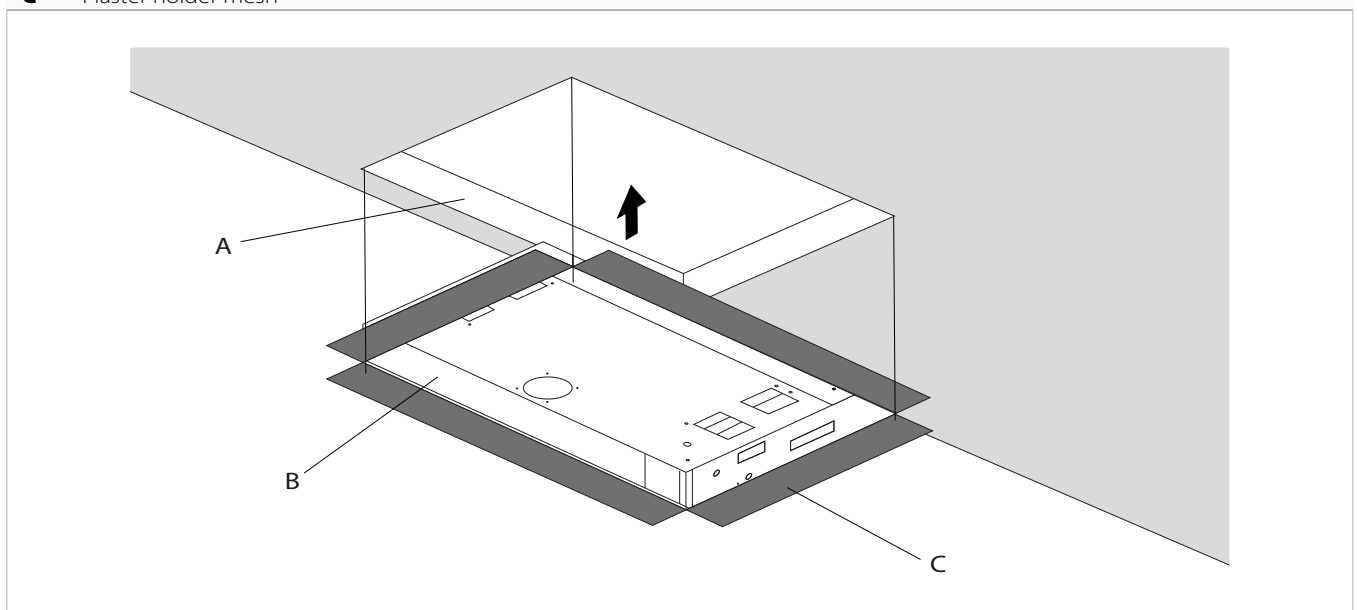


Installation directly to ceiling

If gypsum metal casing will be fix directly to ceiling (without distanceres), proceed as following:

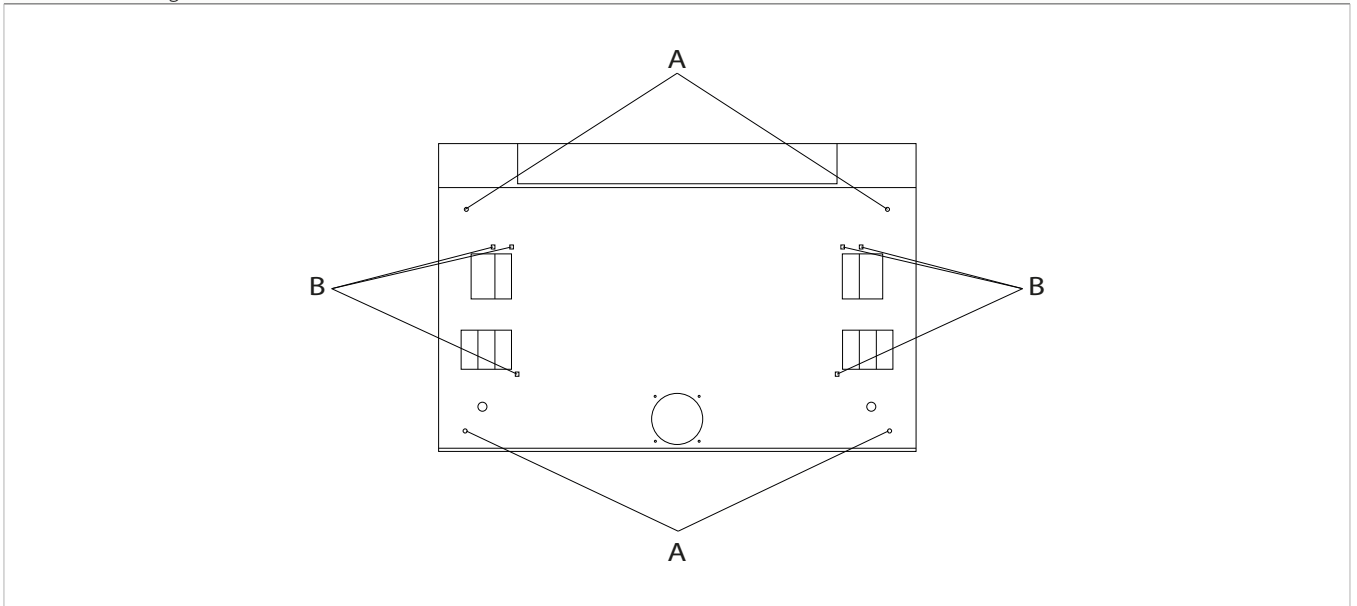
– insert metal casing on ceiling hole

- A** Ceiling hole
- B** Metal casing
- C** Plaster holder mesh



- drill 10 holes of 8 mm of diameter in A-B position referred to metal casing as in picture

- A** Metal casing fixing holes
- B** Unit fixing holes



- insert the plugs
- fix metal casing to ceiling
- lock the structure with fixing screws

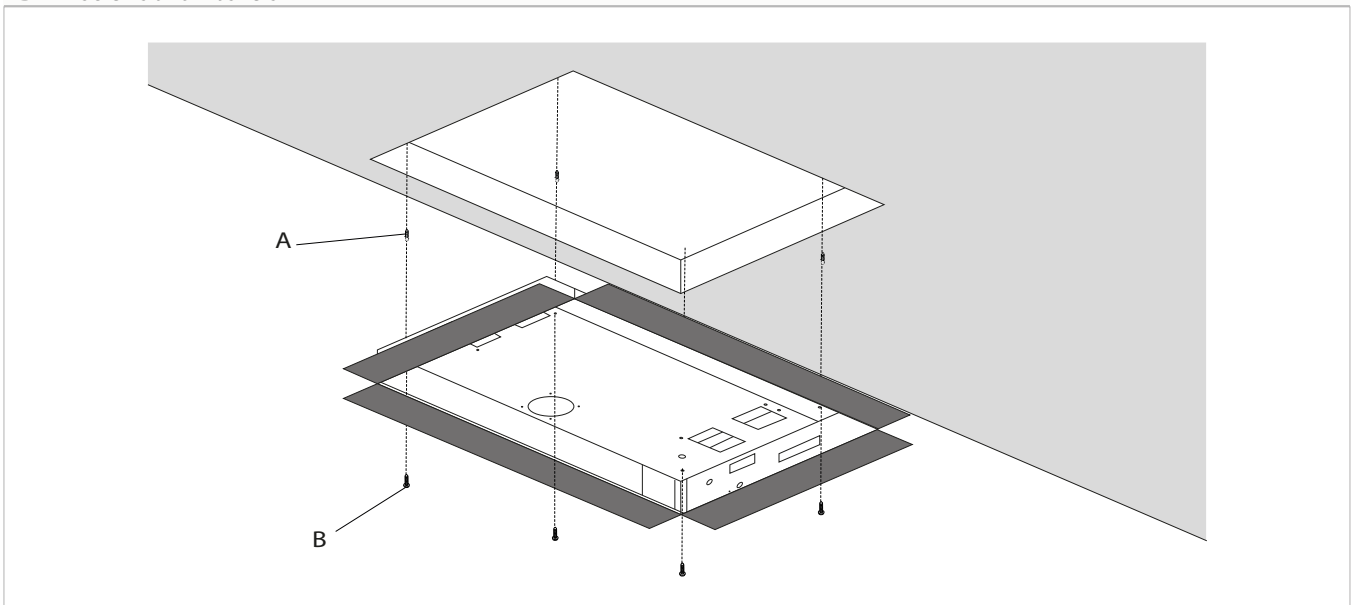
- ⚠ Apply right plugs relating structure weight.
- ⚠ Use nuts and washers provided with plugs.

⚠ Make sure that the metal casing does not deform during installation.

⚠ It is necessary, for right functioning of the device, that during the whole installation phase the working space remains clean.

⚠ Regularly clear away waste offcuts, debris or dirt in the metal casing.

- A** Plugs
- B** Screws and washers



For the installation of built-in version and aesthetic panel kit, refer to their specific instructions.

Installation with suspended false ceiling

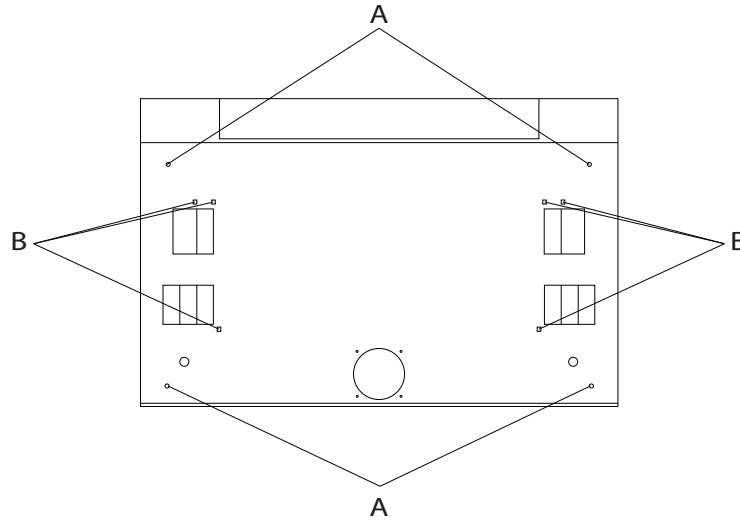
If metal casing will fix suspended, proceed as following:

- drill 4 holes in ceiling, diameter suitable chosen anchors, in line with holes (A) of metal casing

- mount 6 M6 cage nuts on metal casing

A Metal casing fixing holes

B Unit fixing holes

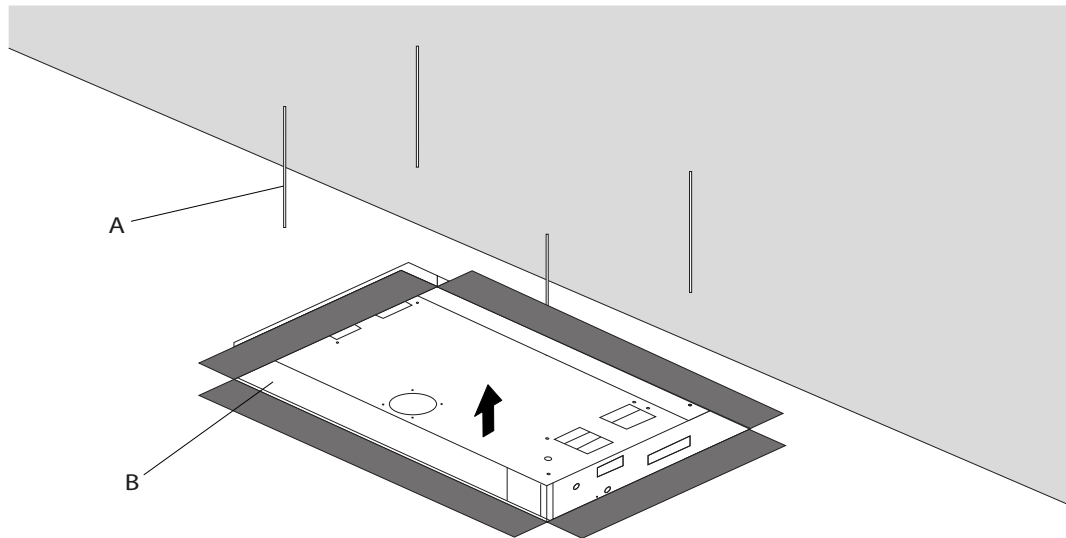


- fix metal casing with rods
- lock structure with 4 holes in metal casing

- use nuts and washers suitable with rods

A Distancers

B Metal casing



- ⚠ Apply right plugs relating structure weight.
- ⚠ Use nuts and washers provided with plugs.
- ⚠ Make sure that the metal casing does not deform during installation.
- ⚠ It is necessary, for right functioning of the device, that during the whole installation phase the working space remains clean.
- ⚠ Regularly clear away waste offcuts, debris or dirt in the metal casing.

For the installation of built-in version and aesthetic panel kit, refer to their specific instructions.