

## L00774 - BUILT-IN FORMWORK KIT FOR LEFT HAND SIDE AIR OUTLET

### Warnings

- ⚠ This instruction is an integral part of the booklet of the appliance on which the kit is installed. Please consult this booklet for general warnings and fundamental safety rules.
- ⚠ For a rapid and right assembly of the components follow carefully the sequences described in the various sections.
- ⚠ All the operations must be performed by qualified personnel using the required Personal Protective Equipment.
- ⚠ It is necessary, for right functioning of the device, that during the whole installation phase the working space remains clean.
- ⚠ Regularly clear away waste offcuts, debris or dirt.

### Installation kit for built-in box for lateral air ventilation SX

L00774 - Built-in formwork for corner installation with left-hand exit  
Use this kit to divert air laterally to a perimeter wall when you intend to place the air conditioner on an interior wall.

The kit consist of:

- a formwork for the side air outlet
- cables electrical connections

⚠ This kit is compatible with the only DC Inverter versions.

### Installation arrangement

#### Preliminary warnings

- ⚠ Ensure that:
  - the wall supports the weight of the appliance
  - the section of floor or wall does not contain piping or electrical lines
- the functionality of load-bearing elements is not compromised
- the supporting surface is perfectly levelled
- there are no obstructions nearby that could compromise the inlet and outlet airflow
- air flow is not directed towards by-standers

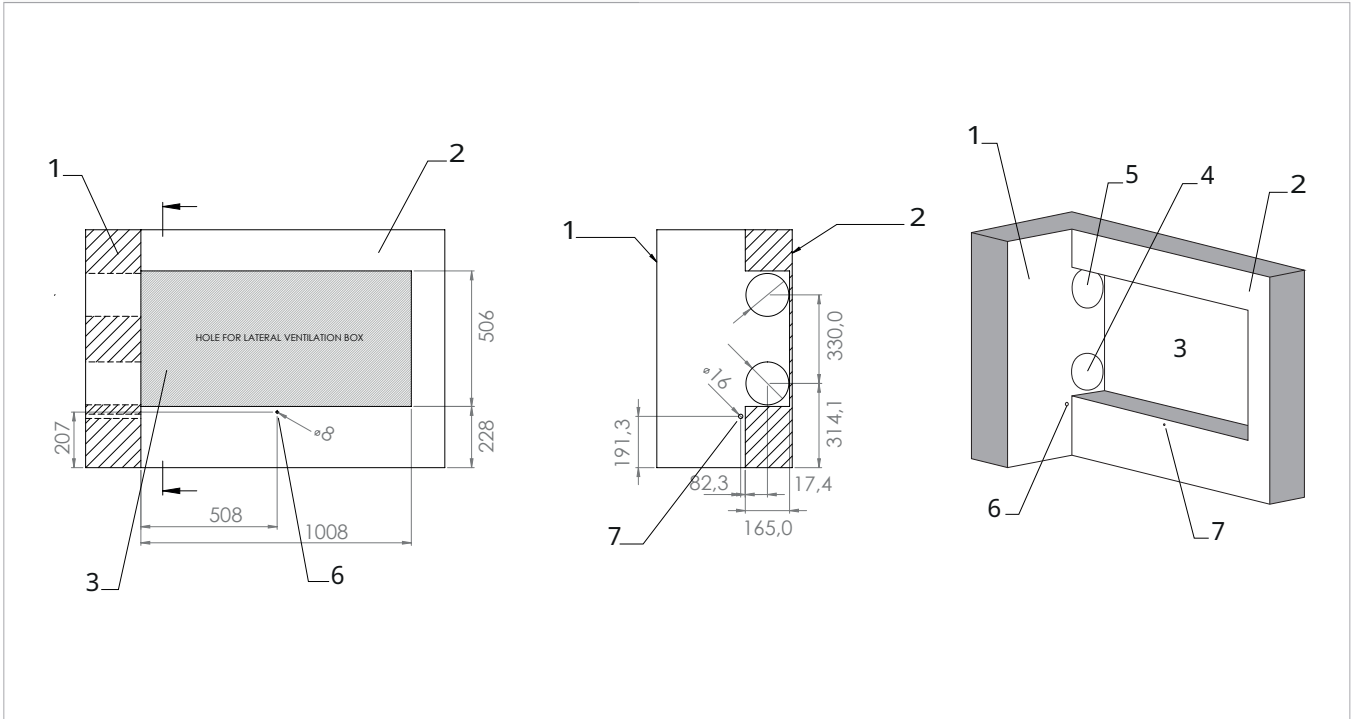
#### Preparation of the wall

To install the unit, prepare the wall for housing the metal casing.

Width	1008 mm
Height	506 mm
Depth	165 mm

- 1. External perimeter wall
- 2. Wall housing formwork
- 3. Formwork space
- 4. Air outlet hole, 162 Ø

- 5. Air intel hole, 162 Ø
- 6. Hole for wall locking, 8 Ø
- 7. Condensate drain hole, 16 Ø



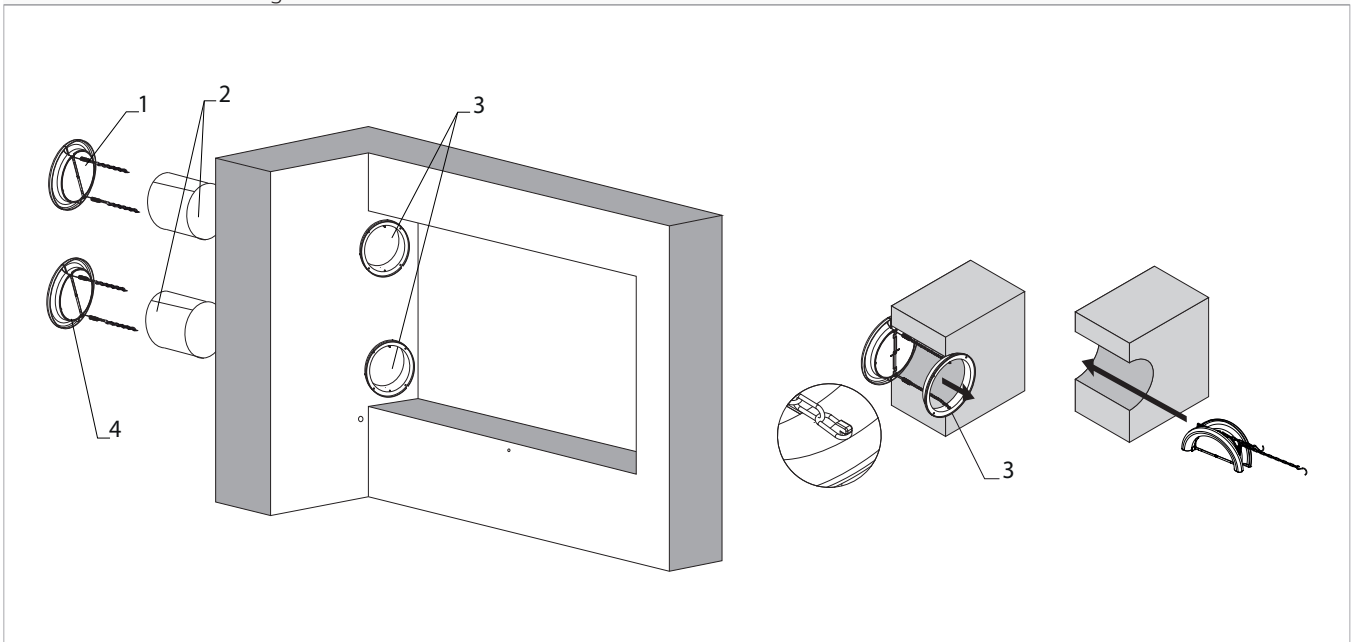
## Kit assembly

### External grids installation

Before proceeding with the installation of the kit, install the external grilles supplied with the appliance.

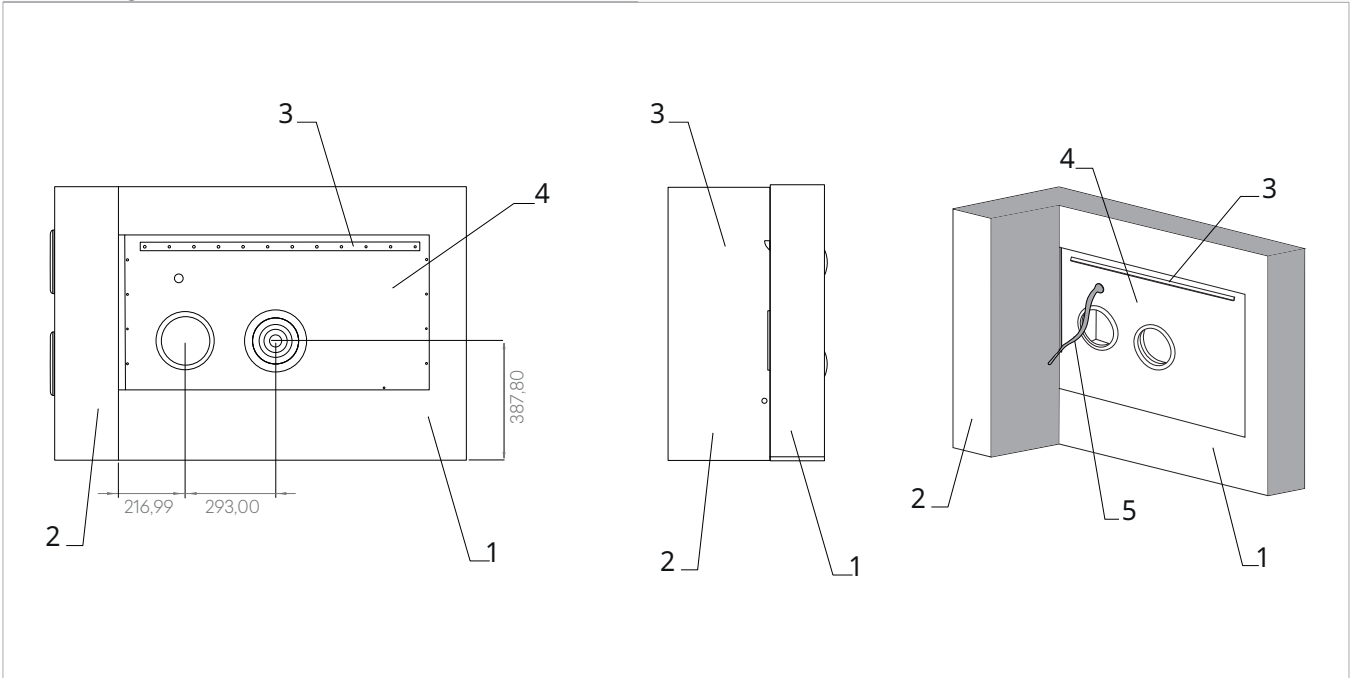
**⚠** For the installation of the external grilles, refer to the installation manual of the appliance on which the kit is installed.

- 1. External air outlet grill
- 2. Wall inlet pipes (2pz)
- 3. External grill component
- 4. External air intake grill



**Box installation**

- |                            |                                    |
|----------------------------|------------------------------------|
| 1. Wall housing formwork   | 4. Lateral ventilation box         |
| 2. External perimeter wall | 5. Cable for electrical connection |
| 3. Fixing bracket 2.0      |                                    |



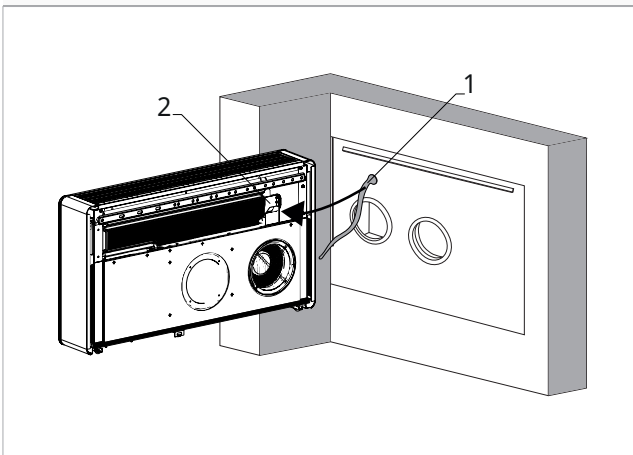
**To install the metal casing:**

- ▶ Insert the fromwork completely into the space provided
- ▶ Fix into the wall properly the fromwork

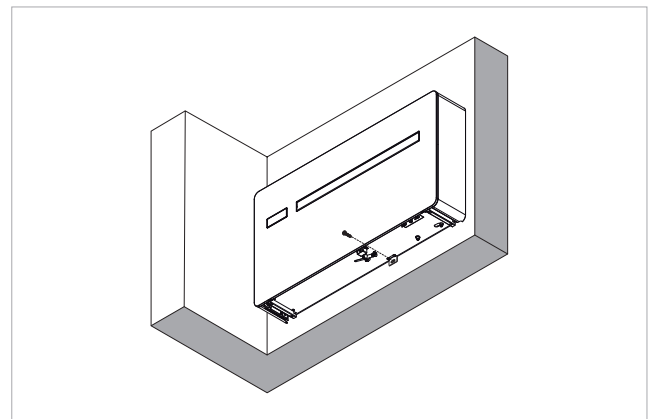
**Unit installation**

- ⚠ Before installing the unit on the bracket, run the cables coming out of the formwork through the left shoulder of the unit.
- ⚠ For the installation of the appliance, refer to its installation manual.

- |                                   |
|-----------------------------------|
| 1. Formwork connection cable      |
| 2. Access to electric connections |

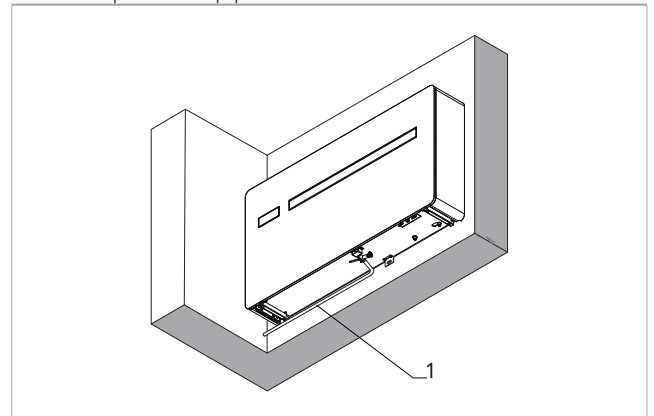


- ▶ run the cables through the left shoulder of the device



- ▶ anchor the unit to the wall using the anti-lift bracket located at the bottom of the unit

- |                      |
|----------------------|
| 1. Liquid drain pipe |
|----------------------|



- ▶ connect the liquid drain pipe.

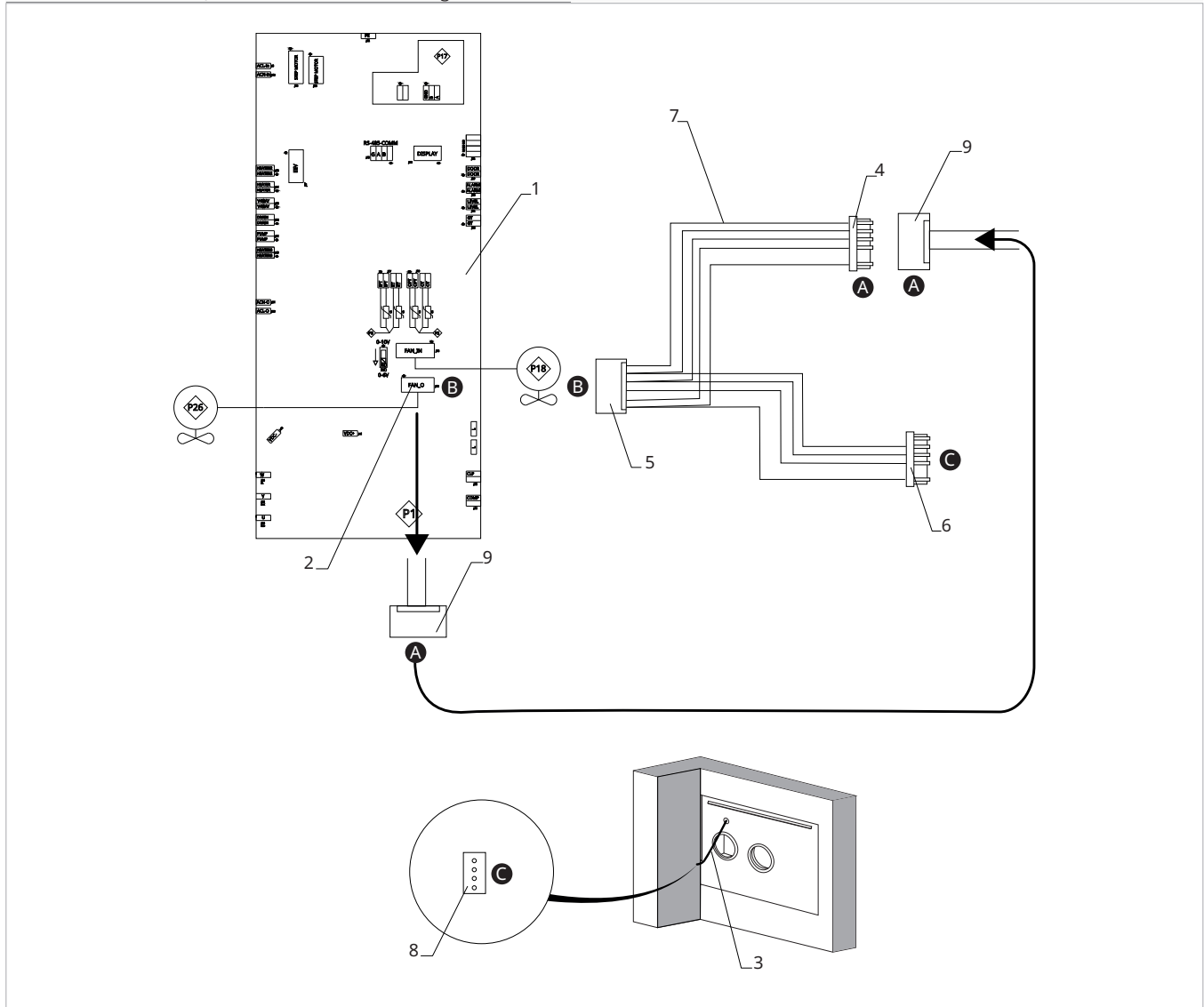
### Electric connections

Refer to the manual of the appliance on which the kit is installed to access the electrical connections section.

- ⚠** To make electrical connections:
- check that the formwork's power cables have been correctly routed through the left shoulder of the unit
  - use the cable supplied with the formwork (part no. N500172B)

- |    |  |
|----|--|
| 1. | PCB  |
| 2. | Contact J15 fan output                             |
| 3. | Formwork connection cable                          |
| 4. | 5-wire, male JST terminal of the wiring harness    |
| 5. | 5-wire, female JST connector of the wiring harness |

- |    |   |
|----|---|
| 6. | 4-wire, male JST terminal of the wiring harness |
| 7. | Wiring N500172B                                 |
| 8. | 5-wire, female JST connector of the formwork    |
| 9. | JST 5-wire, female fan connector                |

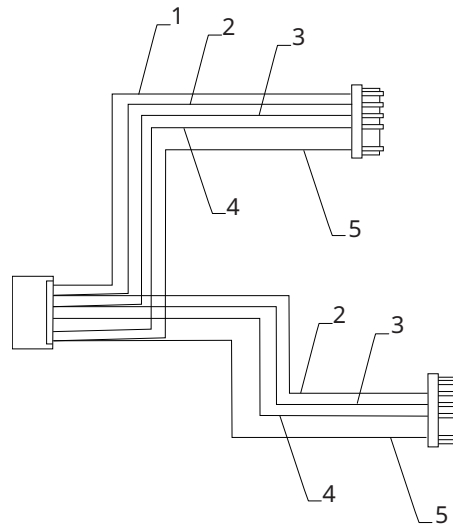


**To make the connections:**

- ▶ disconnect the 5-wire, female JST connector of the fan (9) from the PCB (2)
- ▶ connect the 5-wire, female JST connector of the fan (9) to the 5-wire, male JST terminal of the wiring harness (4)
- ▶ connect the 5-wire, female JST connector of the wiring (5) to contact J15 (2)
- ▶ Connect the 4-wire, male JST terminal of the wiring harness (6) to the 5-wire, female JST connector of the formwork (8)

**⚠** For connections follow the pairing of the letters A-A, B-B, etc.

- |                 |                |
|-----------------|----------------|
| 1. Blue cable   | 4. Black cable |
| 2. Yellow cable | 5. Red cable   |
| 3. White cable  |                |



**⚠ Please verify that the cable colours are correctly connected in sequence (blue, yellow, white, black and red) as shown in the picture.**

**⚠** If the connections are not correctly executed, please fix them before proceeding.