

L00773 - BUILT-IN FORMWORK KIT FOR RIGHT HAND SIDE AIR OUTLET

Warnings

- ⚠ This instruction is an integral part of the booklet of the appliance on which the kit is installed. Please consult this booklet for general warnings and fundamental safety rules.
- ⚠ For a rapid and right assembly of the components follow carefully the sequences described in the various sections.
- ⚠ All the operations must be performed by qualified personnel using the required Personal Protective Equipment.
- ⚠ It is necessary, for right functioning of the device, that during the whole installation phase the working space remains clean.
- ⚠ Regularly clear away waste offcuts, debris or dirt.

Installation kit for built-in box for lateral air ventilation DX

L00773 - Built-in formwork for corner installation with right-hand exit
Use this kit to divert air laterally to a perimeter wall when you intend to place the air conditioner on an interior wall.

The kit consist of:

- a formwork for the side air outlet
- cable electrical connections

⚠ This kit is compatible with the only DC Inverter versions.

Installation arrangement

Preliminary warnings

- ⚠ Ensure that:
 - the wall supports the weight of the appliance
 - the section of floor or wall does not contain piping or electrical lines
- the functionality of load-bearing elements is not compromised
- the supporting surface is perfectly levelled
- there are no obstructions nearby that could compromise the inlet and outlet airflow
- air flow is not directed towards by-standers

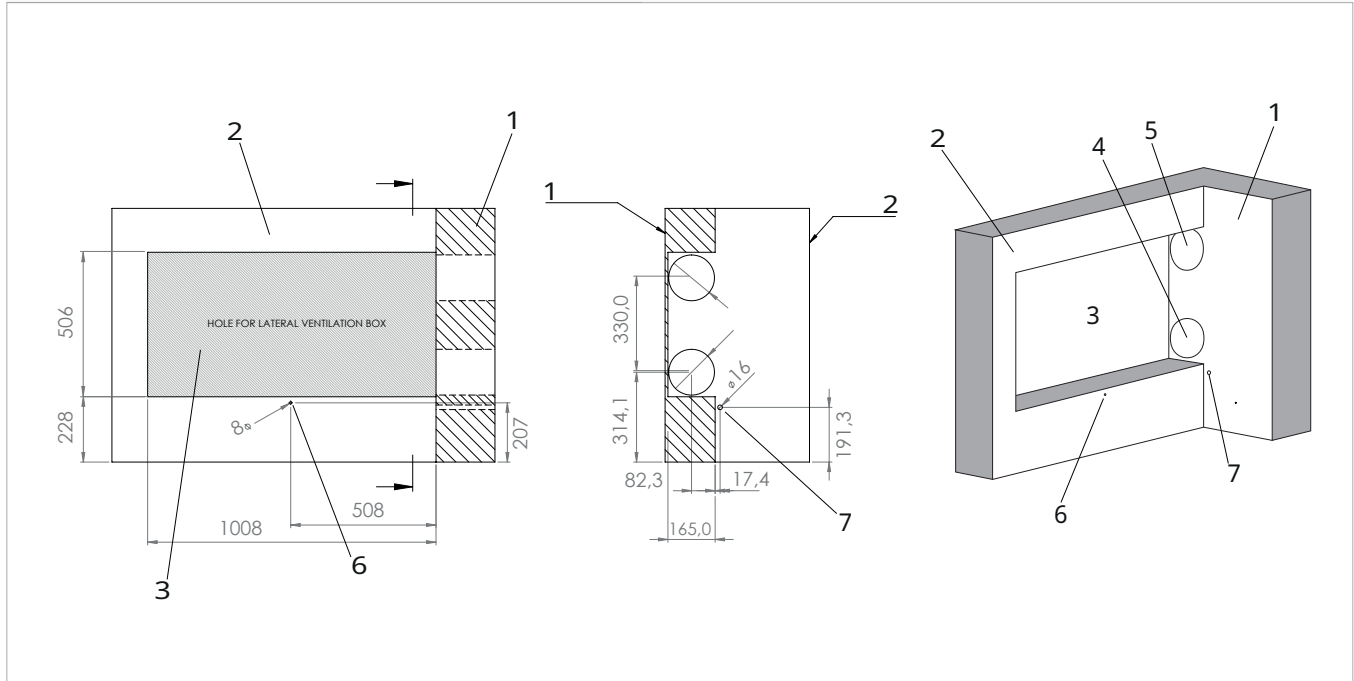
Preparation of the wall

To install the unit, prepare the wall for housing the metal casing.

| | |
|--------|---------|
| Width | 1008 mm |
| Height | 506 mm |
| Depth | 165 mm |

- 1. External perimeter wall
- 2. Wall housing formwork
- 3. Formwork space
- 4. Air outlet hole, 162 Ø

- 5. Air intel hole, 162 Ø
- 6. Hole for wall locking, 8 Ø
- 7. Condensate drain hole, 16 Ø



Kit assembly

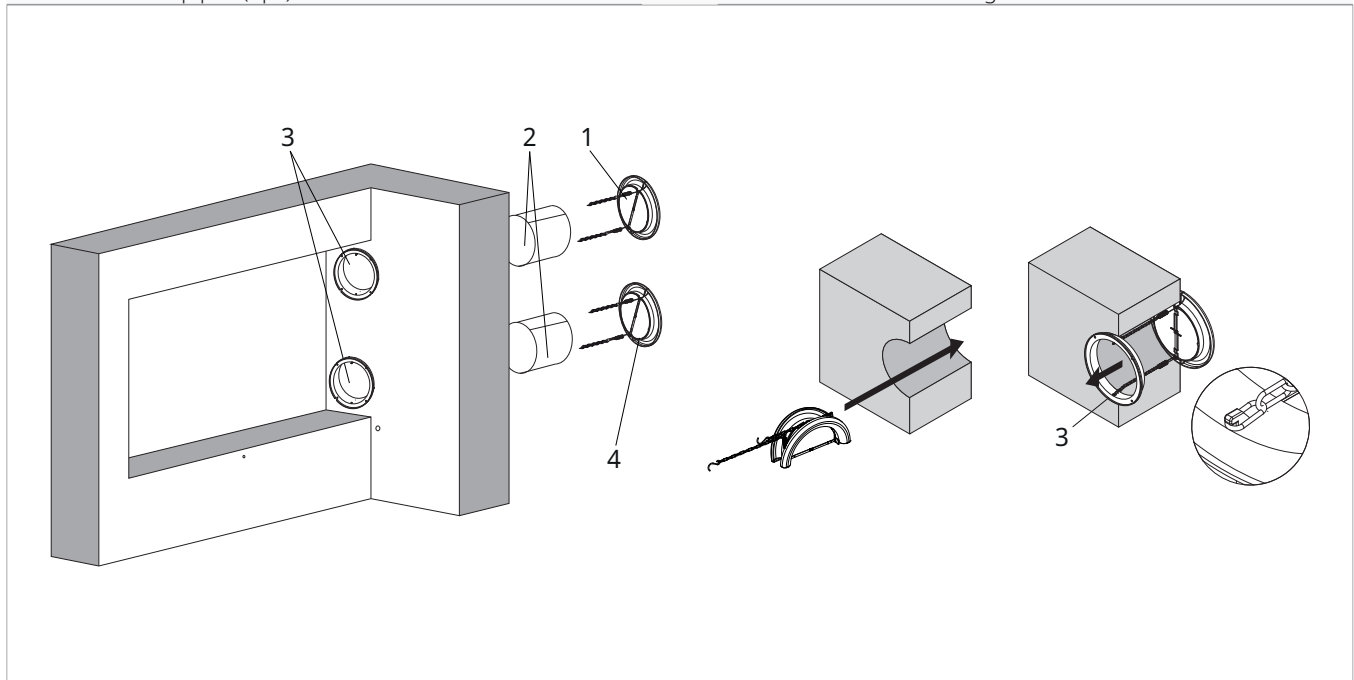
External grids installation

Before proceeding with the installation of the kit, install the external grilles supplied with the appliance.

⚠ For the installation of the external grilles, refer to the installation manual of the appliance on which the kit is installed.

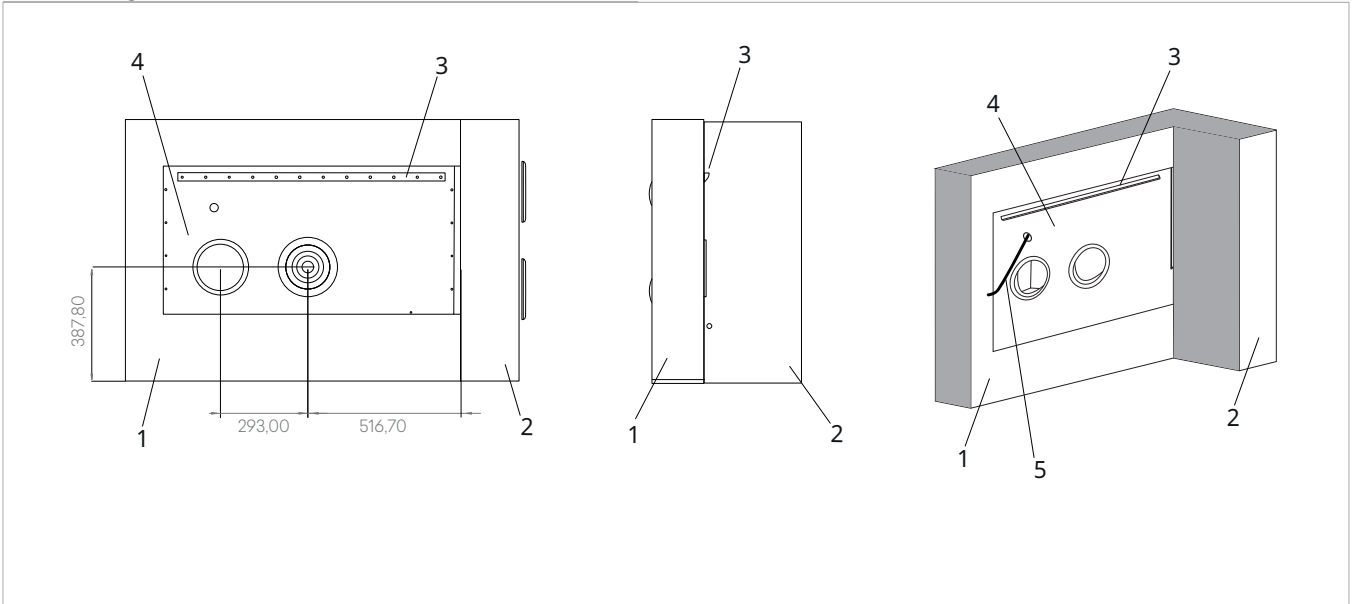
- 1. External air outlet grill
- 2. Wall inlet pipes (2pz)

- 3. Internal grid component
- 4. External air intake grill



Box installation

- | | |
|----------------------------|------------------------------------|
| 1. Wall housing formwork | 4. Lateral ventilation box |
| 2. External perimeter wall | 5. Cable for electrical connection |
| 3. Fixing bracket 2.0 | |



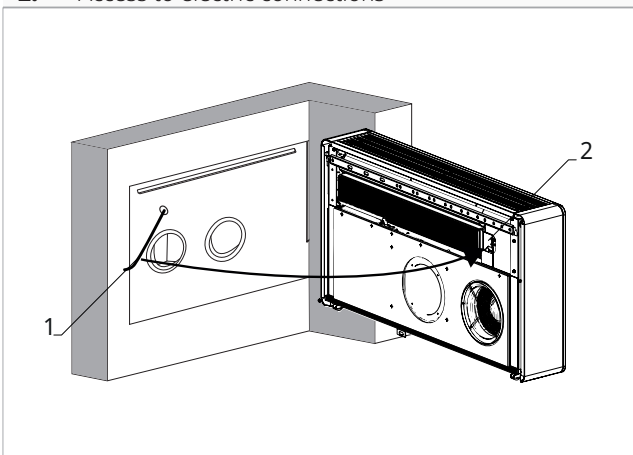
To install the metal casing:

- ▶ Insert the fromwork completely into the space provided
- ▶ Fix into the wall properly the fromwork

Unit installation

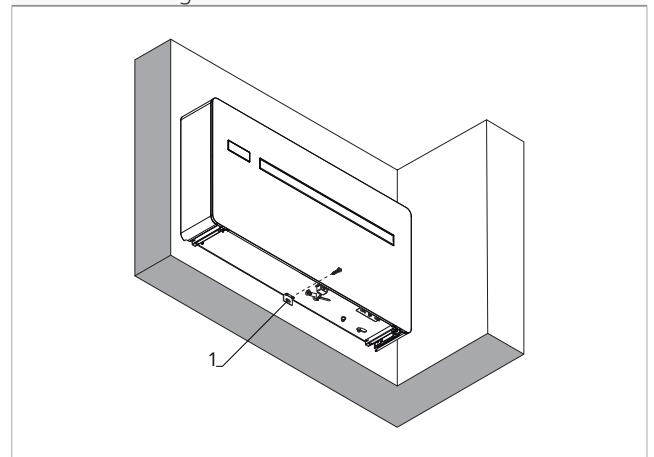
- ⚠ Before installing the unit on the bracket, run the cables coming out of the formwork through the left shoulder of the unit.
- ⚠ For the installation of the appliance, refer to its installation manual.

- | |
|-----------------------------------|
| 1. Formwork connection cable |
| 2. Access to electric connections |



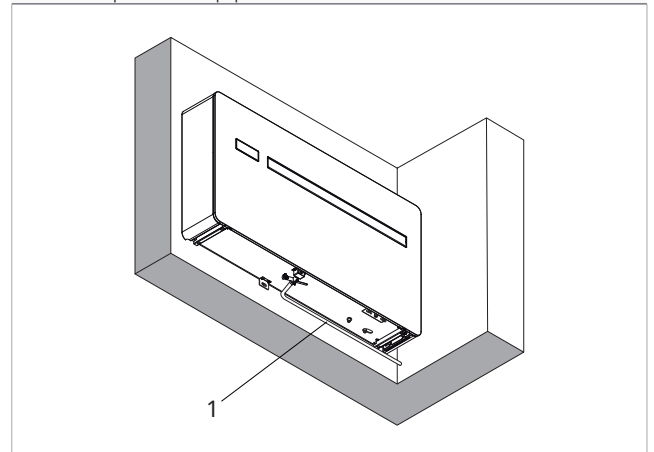
- ▶ run the cables through the left shoulder of the device

1. Anti-lifting bracket



- ▶ anchor the unit to the wall using the anti-lift bracket located at the bottom of the unit

1. Liquid drain pipe



- ▶ connect the liquid drain pipe.

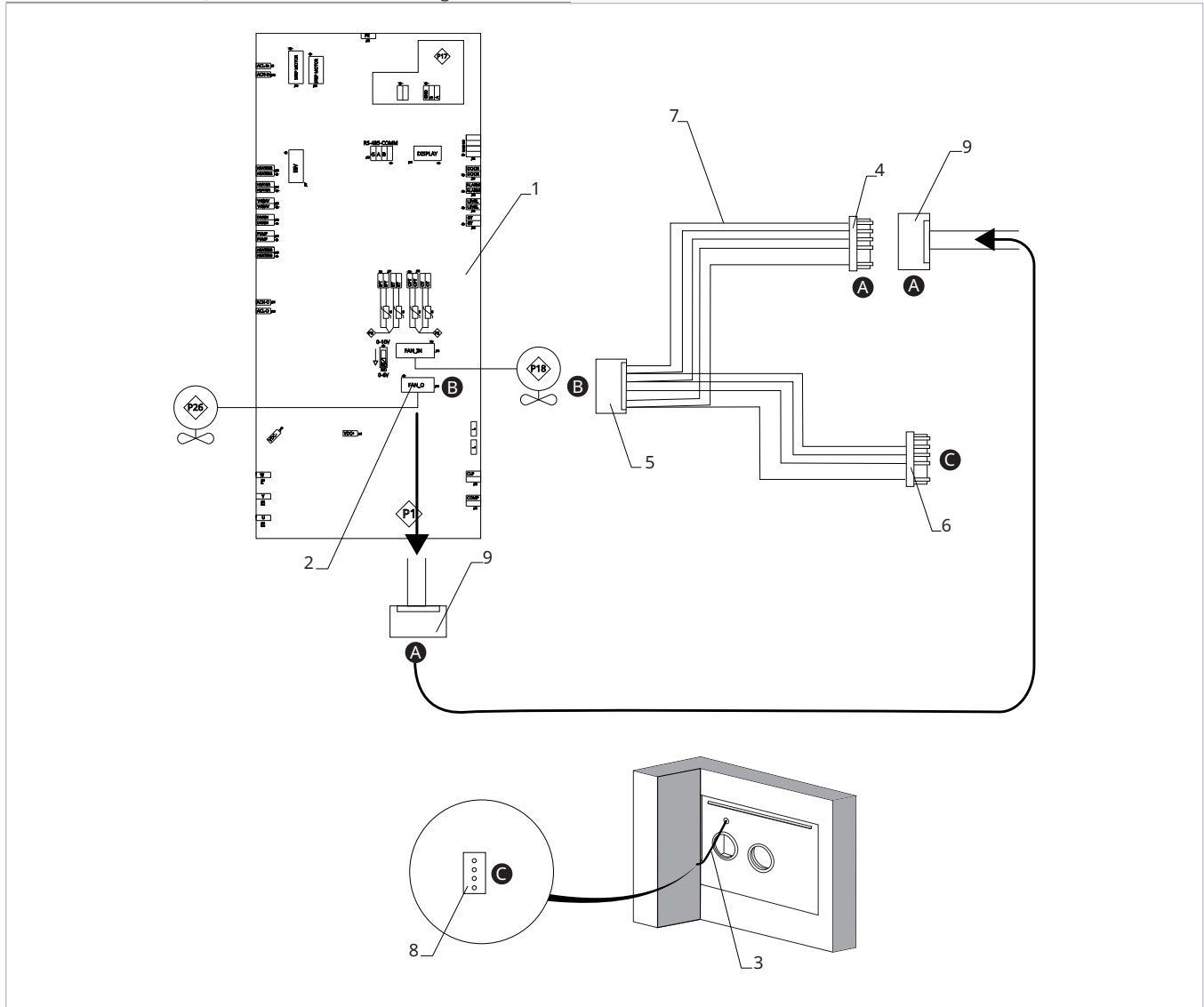
Electric connections

Refer to the manual of the appliance on which the kit is installed to access the electrical connections section.

- ⚠** To make electrical connections:
- check that the formwork's power cables have been correctly routed through the left shoulder of the unit
 - use the cable supplied with the formwork (part no. N500172B)

- | | |
|----|--|
| 1. | PCB |
| 2. | Contact J15 fan output |
| 3. | Formwork connection cable |
| 4. | 5-wire, male JST terminal of the wiring harness |
| 5. | 5-wire, female JST connector of the wiring harness |

- | | |
|----|---|
| 6. | 4-wire, male JST terminal of the wiring harness |
| 7. | Wiring N500172B |
| 8. | 5-wire, female JST connector of the formwork |
| 9. | JST 5-wire, female fan connector |



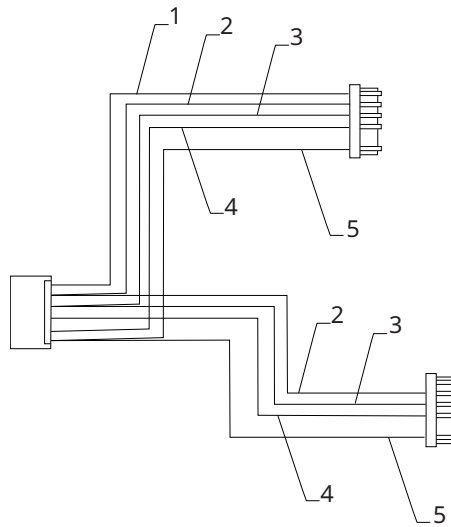
To make the connections:

- ▶ disconnect the 5-wire, female JST connector of the fan (9) from the PCB (2)
- ▶ connect the 5-wire, female JST connector of the fan (9) to the 5-wire, male JST terminal of the wiring harness (4)
- ▶ connect the 5-wire, female JST connector of the wiring (5) to contact J15 (2)
- ▶ Connect the 4-wire, male JST terminal of the wiring harness (6) to the 5-wire, female JST connector of the formwork (8)

⚠ For connections follow the pairing of the letters A-A, B-B, etc.

Wiring N500172B

- | | | | |
|----|--------------|----|-------------|
| 1. | Blue cable | 4. | Black cable |
| 2. | Yellow cable | 5. | Red cable |
| 3. | White cable | | |



⚠ Please verify that the cable colours are correctly connected in sequence (blue, yellow, white, black and red) as shown in the picture.

⚠ If the connections are not correctly executed, please fix them before proceeding.