

## L00771

**Warnings**

- ⚠ This instruction is an integral part of the booklet of the appliance on which the kit is installed. Please consult this booklet for general warnings and fundamental safety rules.
- ⚠ For a rapid and right assembly of the components follow carefully the sequences described in the various sections.
- ⚠ All the operations must be performed by qualified personnel using the required Personal Protective Equipment.

**Installation kit for built-in box for lateral air ventilation DX**

Use this kit to divert air laterally to a perimeter wall when you intend to place the air conditioner on an interior wall.  
The kit consist of:

- a formwork for the side air outlet
- cables electrical connections
- ⚠ This kit is compatible with the only DC Inverter versions.

**Installation arrangement****Preliminary warnings**

- ⚠ Make sure that:
  - the wall on which you intend to install the unit has an appropriate structure and capacity
  - the wall surface is not crossed by pipelines or power lines
  - the wall surface is perfectly levelled
  - there are no obstructions nearby that could compromise the inlet and outlet airflow
  - air flow is not directed towards by-standers

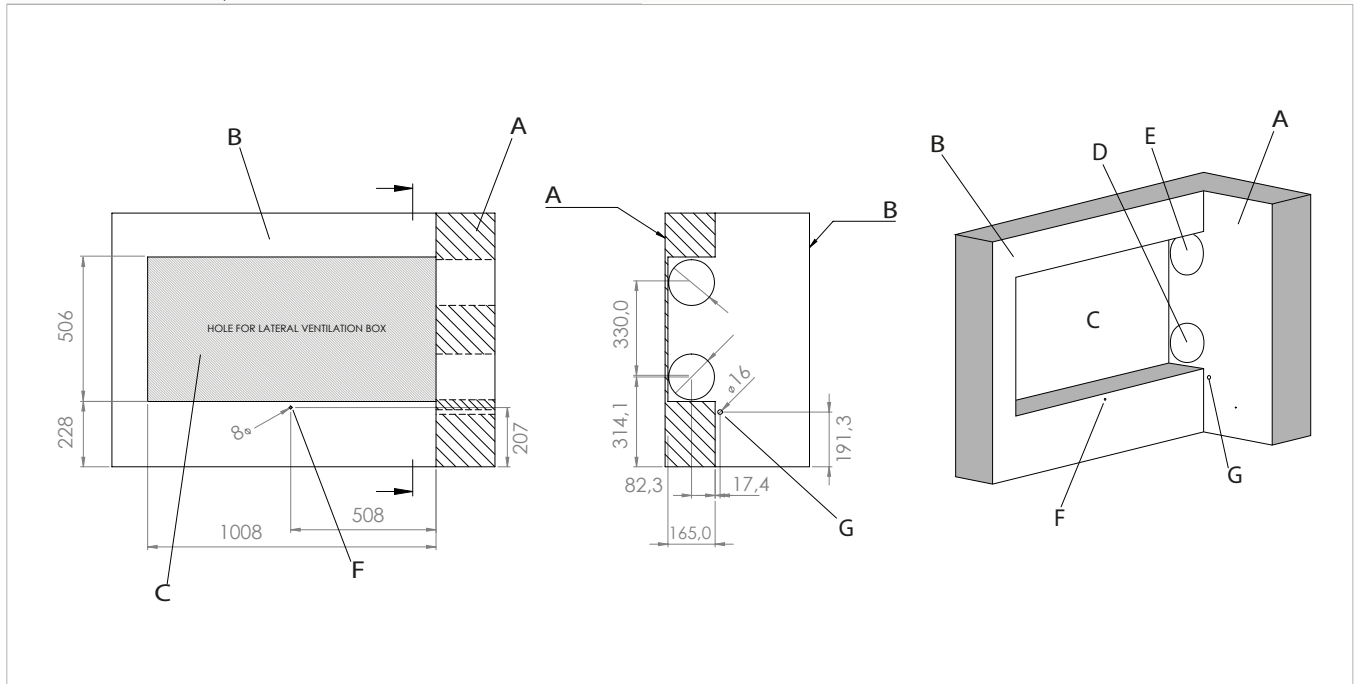
**Preparation of the wall**

To install the unit, prepare the wall for housing the metal casing.

Width	1006 mm
Height	505 mm
Depth	165 mm

<b>A</b>	External perimeter wall
<b>B</b>	Wall housing formwork
<b>C</b>	Formwork space
<b>D</b>	Air outlet hole, 162 Ø

<b>E</b>	Air intel hole, 162 Ø
<b>F</b>	Hole for wall locking, 8 Ø
<b>G</b>	Condensate drain hole, 16 Ø



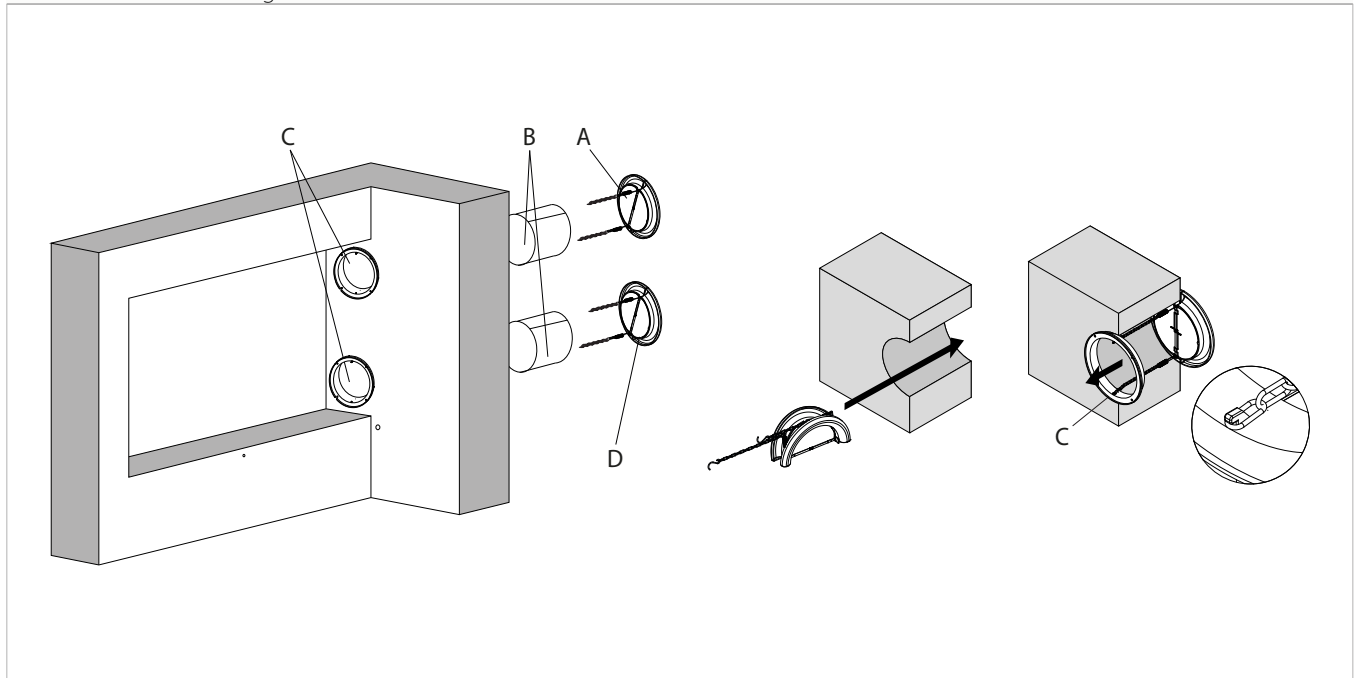
## Kit assembly

### External grids installation

Before proceeding with the installation of the kit, install the external grilles supplied with the appliance.

⚠ For the installation of the external grilles, refer to the installation manual of the appliance on which the kit is installed.

<b>A</b>	External air outlet grill
<b>B</b>	Wall inlet pipes (2pz)
<b>C</b>	Internal grid component
<b>D</b>	External air intake grill



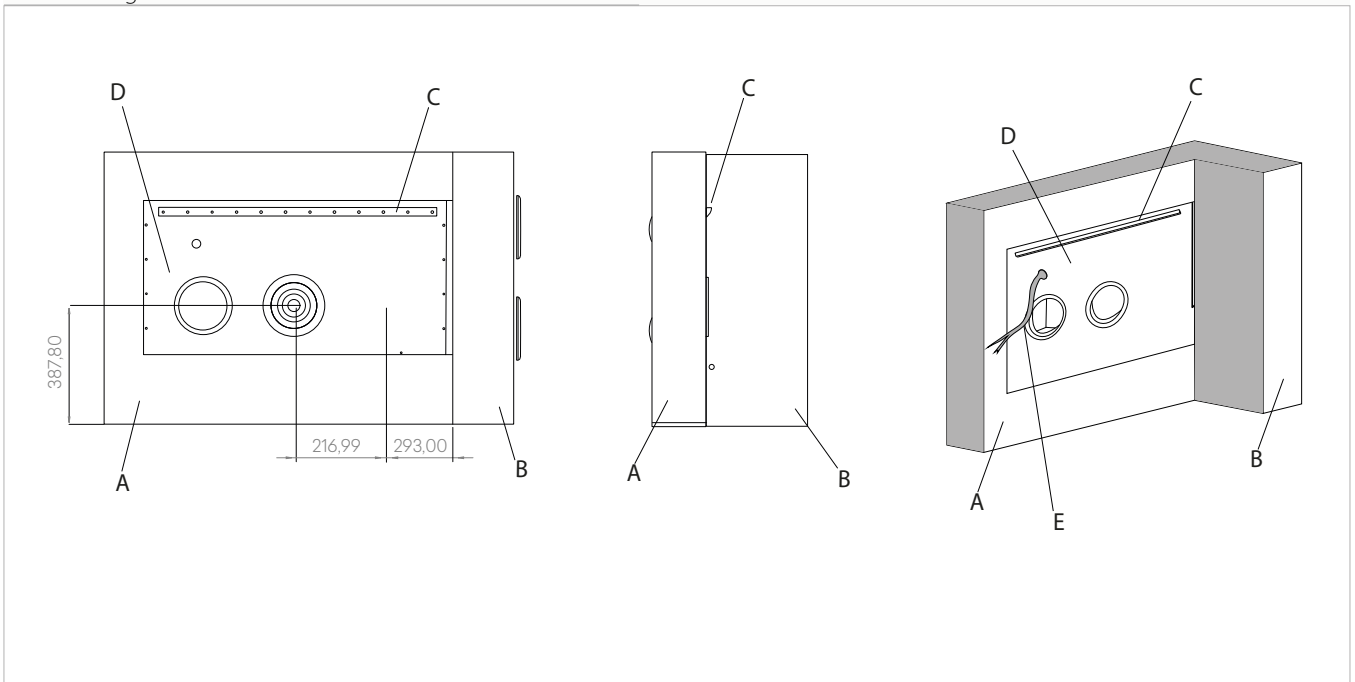
### Box installation

– Insert the fromwork completely into the space provided

– Fix into the wall properly the fromwork

- A** Wall housing formwork
- B** External perimeter wall
- C** Fixing bracket 2.0

- D** Lateral ventilation box
- E** Electric connections



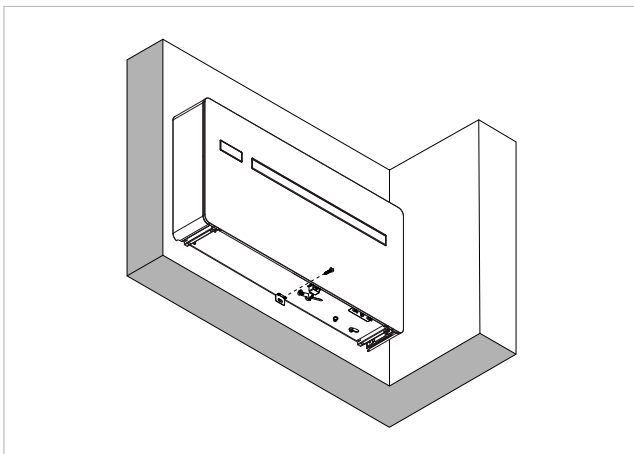
### Unit installation

⚠ Before installing the unit on the bracket, run the cables coming out of the formwork through the left shoulder of the unit.

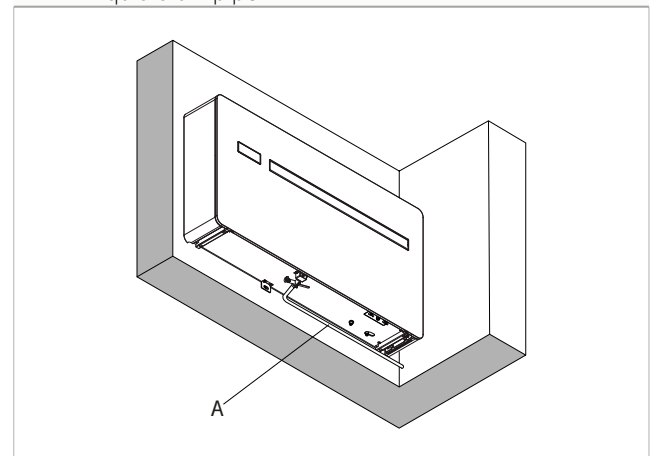
⚠ For the installation of the appliance, refer to its installation manual.

Anchor the machine to the wall by means of the special anti-lift bracket located at the bottom of the machine.

Connect the liquid drain pipe.



**A** Liquid drain pipe



### Electric connections

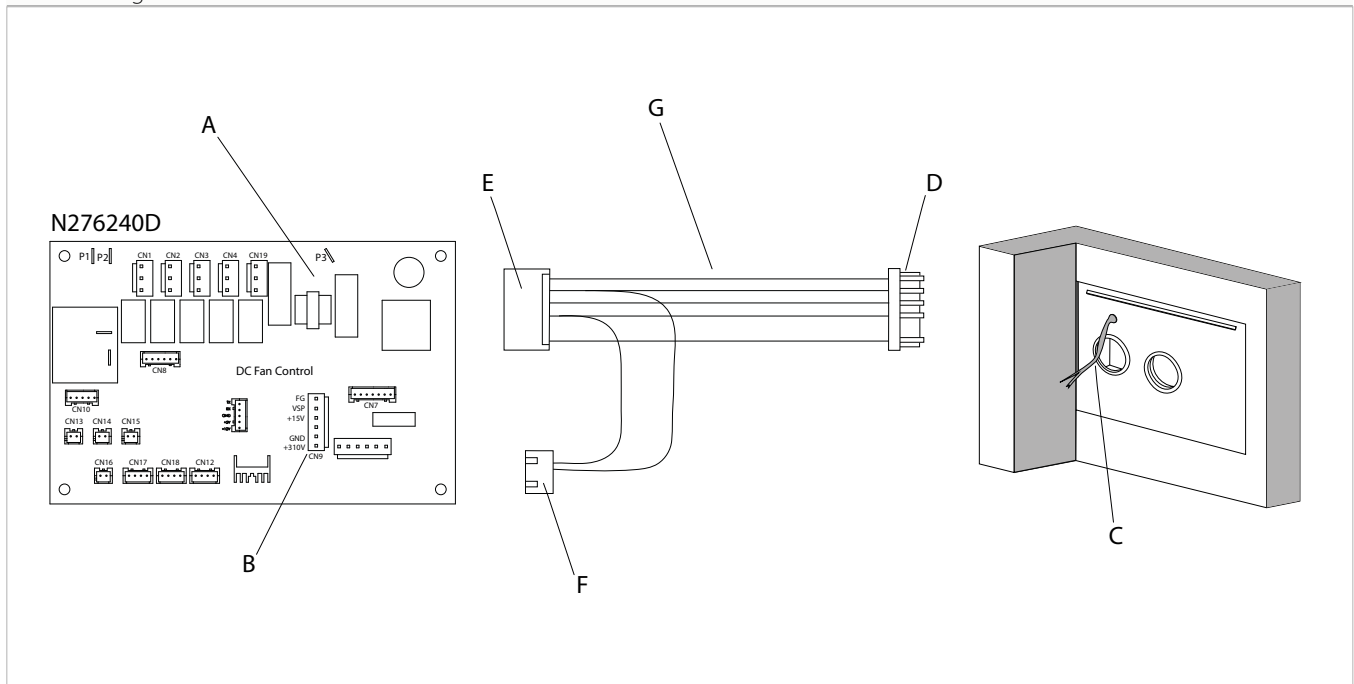
Refer to the manual of the appliance on which the kit is installed to access the electrical connections section.

⚠ To make electrical connections:

- check that the formwork's power cables have been correctly routed through the left shoulder of the unit

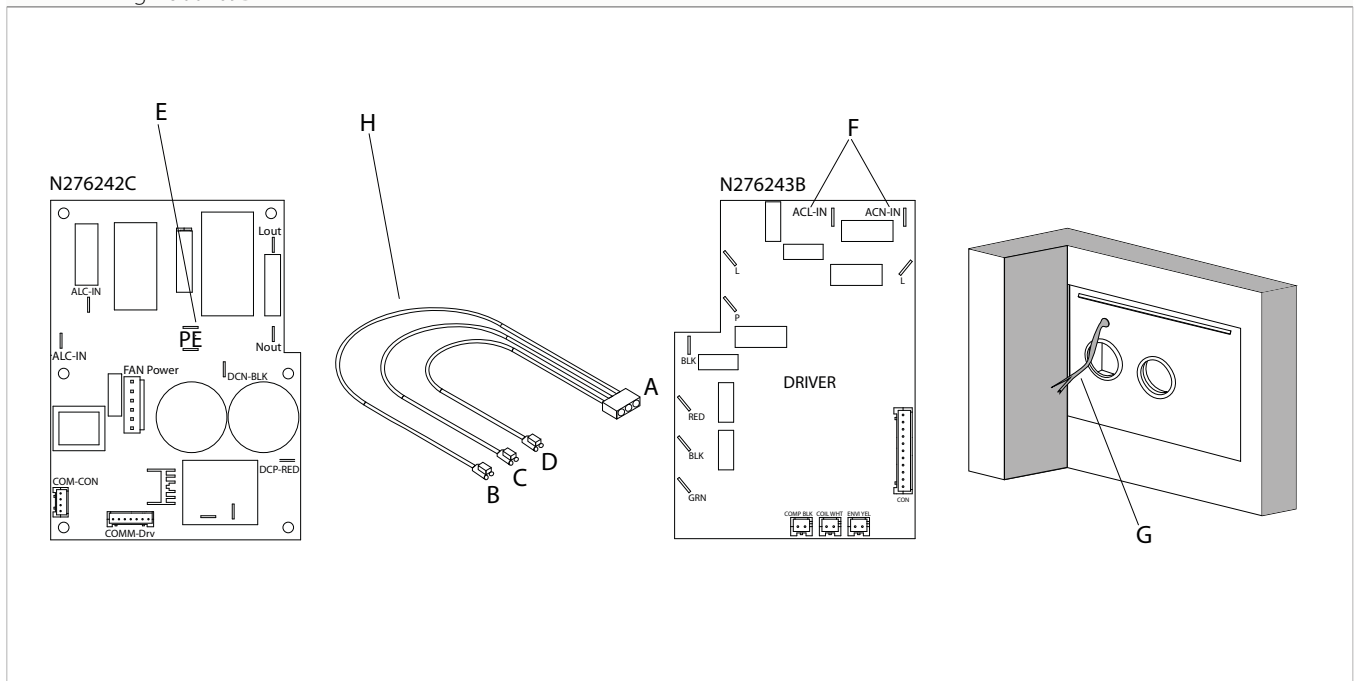
- use the cables supplied with the formwork (code N500172A and code N500169B).

- A** MAIN MCU board (cod. N276240D)
- B** CN9 contact fan output
- C** Formwork connection cables
- D** Molex clamp, 6-way, 1 row, 3.96 mm pitch
- E** PCB connector molex, 6 way, 1 row, 3,96 mm pitch, female
- F** Clamp JST-XH, 4-way, 1-row, 2.5 mm pitch
- G** wiring N500172A



- disconnect CN9 fan output contact (B), from MAIN MCU board N276240D
- connect the Molex PCB connector (E) to the CN9 fan output contact (B)
- connect the CN9 fan output contact (B), previously disconnected, to the molex terminal (D).
- connect the fan signal from the ventilation box to terminal JST-XH (F)

- A** MATE N'LOCK female connector, for formwork fan power supply
- B** Earth power supply
- C** Power supply line
- D** Neutral formwork fan power supply
- E** PE
- F** ACL\_IN e ACN\_IN
- G** Formwork connection cables
- H** Wiring N500169B



- connect the MATE N'LOCK connector (A) to the formwork connection cable (G) of the external fan
- disconnect the cables on ALC\_IN and ALC\_IN from the Driver board N276243B
- connect the wires of the N500169B wiring on the driver. Connect the power supply line (brown) (C) on ACL\_IN and the neutral formwork fan power supply (blue) (D) on ACN\_IN
- Reconnect the driver wires in the faston piggy bags (blue on ACN\_IN and RED on ACL\_IN)
- disconnect the ground wires on the power board from the central PE connector
- connect the yellow/green power supply ground wire (B) of the N500169B wiring on PE contact (E) of the power board
- reconnect the previously disconnected wires on the double faston.