

FEET KIT FOR FLOOR MOUNTING LC0605

Warnings

- ⚠ This instruction is an integral part of the booklet of the appliance on which the kit is installed. Please consult this booklet for general warnings and fundamental safety rules.
- ⚠ For a rapid and right assembly of the components follow carefully the sequences described in the various sections.
- ⚠ All the operations must be performed by qualified personnel using the required Personal Protective Equipment.
- ⚠ It is necessary, for right functioning of the device, that during the whole installation phase the working space remains clean.

Standard supply

The accessory is supplied as follows:

- 4 locking tabs on the floor
- self-tapping screws
- Screws M6
- installation template

Description

The floor fixing feet kit is for use when the device is to be placed in front of display cases or where wall installation is not possible.

LC0605 - Feet for anchoring the unit to the floor. Colour white

- ⚠ For masking the appliance's plumbing connection pipes coming from the floor, use the special aesthetic LC0157 feet.

Combinable products

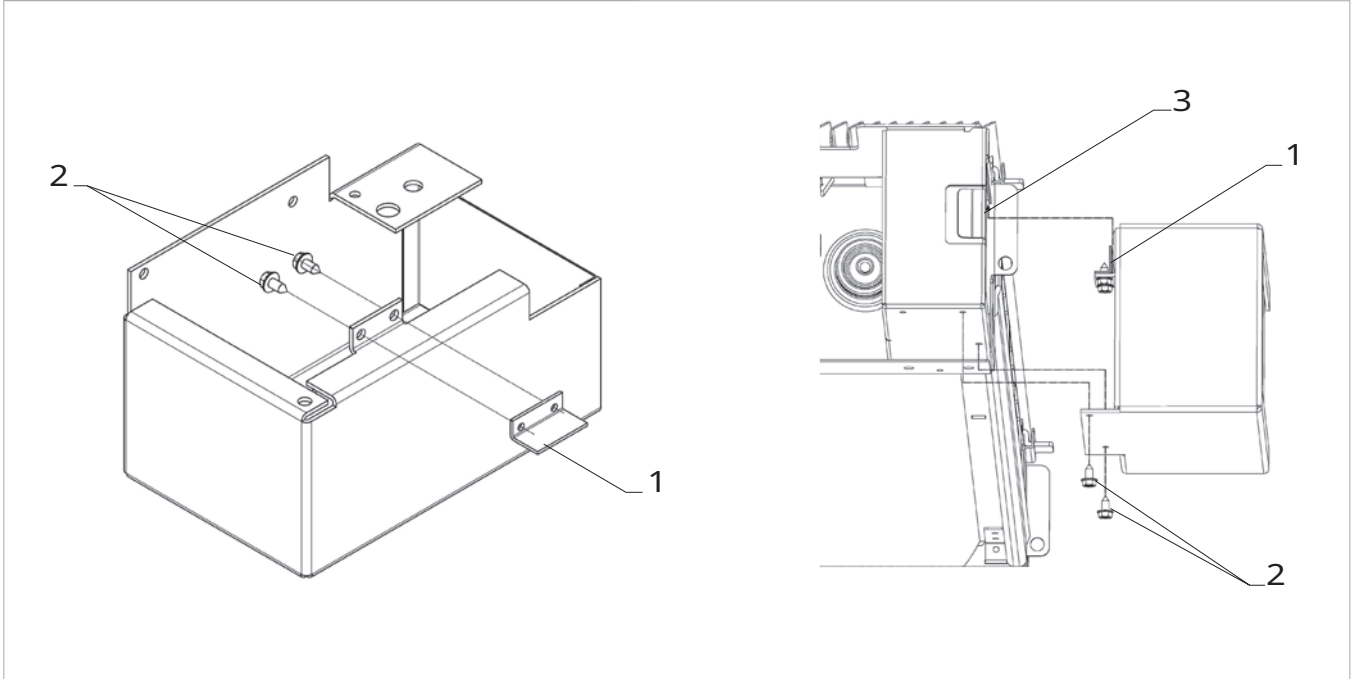
The LC0605 accessory can be installed for all sizes of Air-Leaf SL / SLS / RS models.

Mounting

- ⚠ For mounting the floor-fixing foot kit, place the unit with the cover cabinet resting on the floor.
- ⚠ Make sure the area where the unit is placed is clean to avoid damaging the cover cabinet.

- 1. Floor locking tabs
- 2. Self-tapping screws

- 3. Lower front part



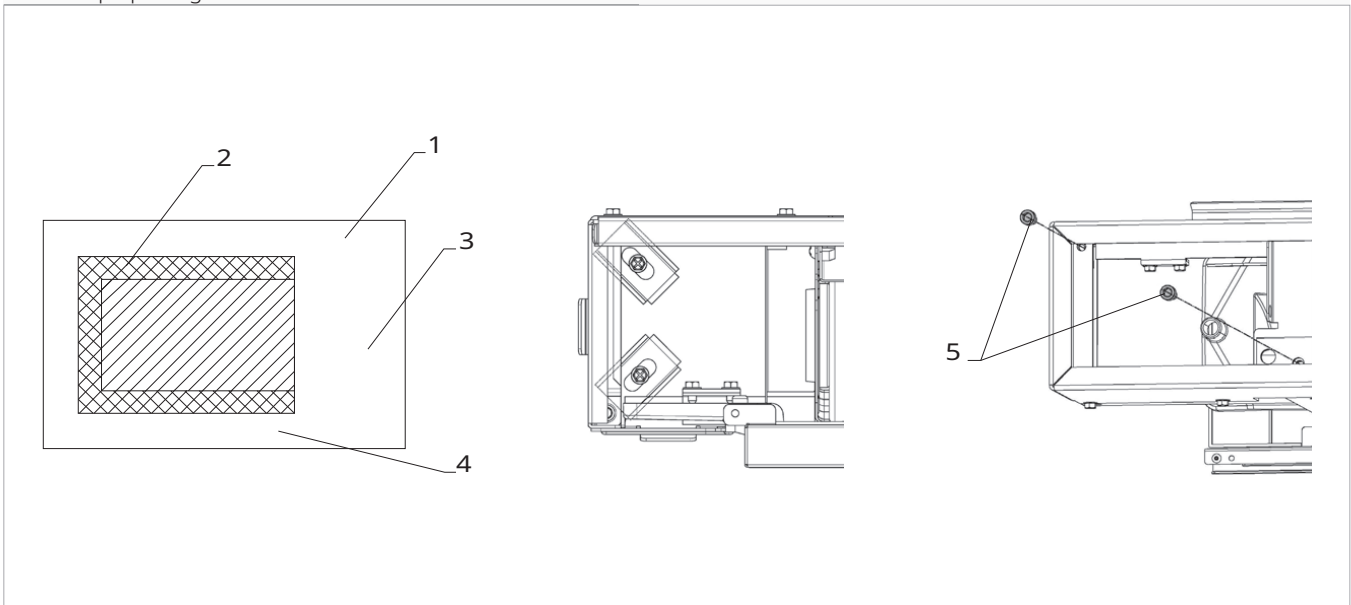
To install the floor-fixing feet kit to the unit:

- ▶ place the device on a horizontal plane
- ▶ attach the locking tabs to the left and right support brackets

- ▶ snap the locking tabs to the bottom of the frame
- ▶ attach the left and right support brackets at the rear
- ▶ attach the left and right support brackets to the bottom of the structure

- 1. Installation template
- 2. Area of possible drilling
- 3. Pipe passage area

- 4. Fancoil support bracket area
- 5. Screws M6



To complete the mounting:

- ▶ use the template provided to check the perforation area
- ▶ drill the 4 holes of the anchor plugs in the floor
- ▶ verify that plumbing and electrical connections are allowed to pass through

- ▶ secure the appliance to the floor using the 4 floor locking tabs (supplied)
- ▶ screw in the 4 anchor plugs

⚠ Use anchors appropriate for the floor material and the weight of the appliance.

⚠ Check that the appliance is properly fixed and that the dowels ensure its perfect stability.

- ▶ return the appliance in a vertical position

REAR CLOSING PANEL

Warnings

- ⚠ This instruction is an integral part of the booklet of the appliance on which the kit is installed. Please consult this booklet for general warnings and fundamental safety rules.
- ⚠ For a rapid and right assembly of the components follow carefully the sequences described in the various sections.
- ⚠ All the operations must be performed by qualified personnel using the required Personal Protective Equipment.
- ⚠ It is necessary, for right functioning of the device, that during the whole installation phase the working space remains clean.

Standard supply

The accessory is supplied as follows:

- rear closing panel

Description

The rear closure panel is to be used when the fancoil back is in view.

LC0171 - LC0173 - LC0175 - LC0177 - LC0179 - Rear cover.
Colour white

Combinable products

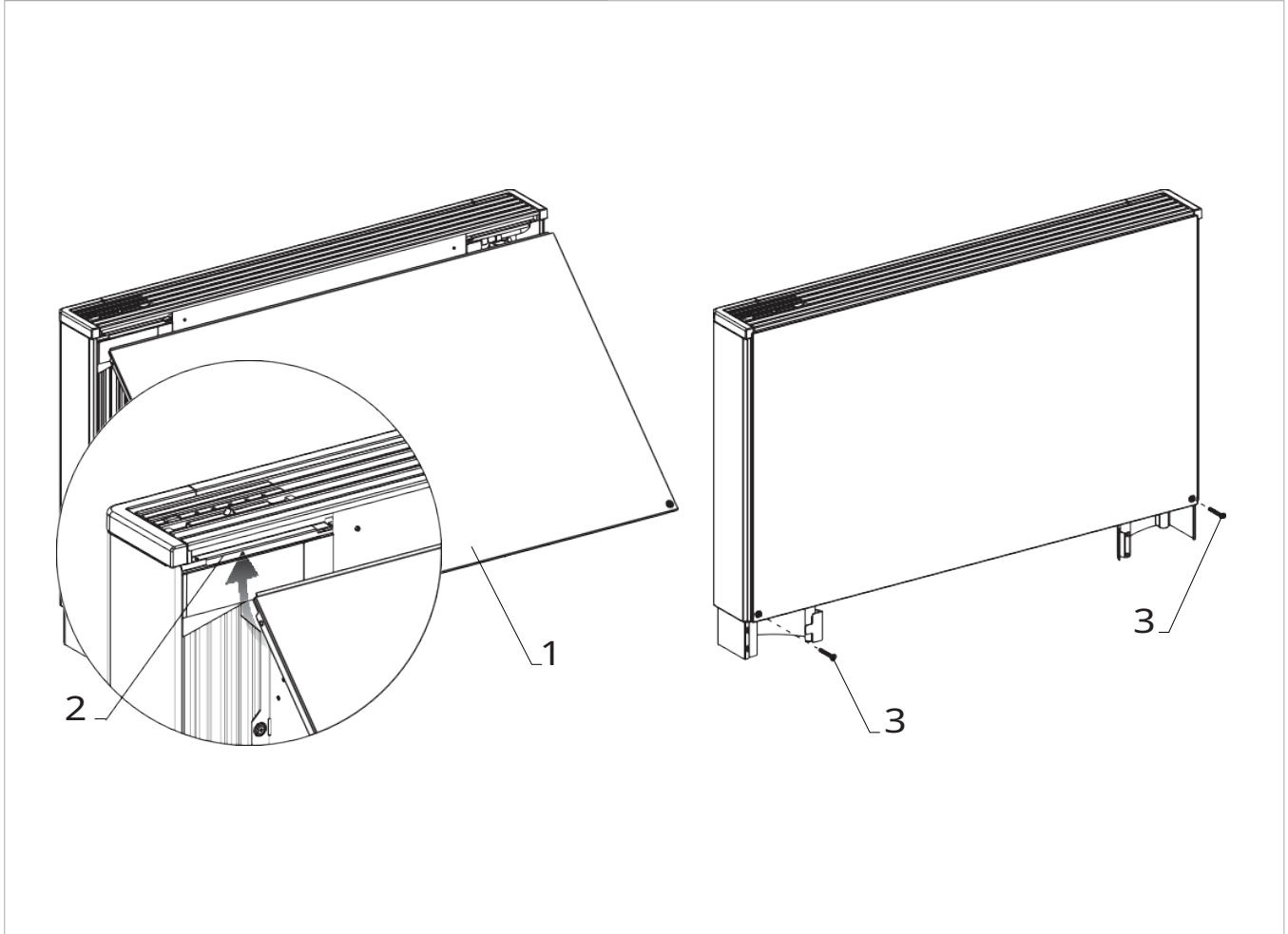
The accessory can be installed for all sizes of AirLeaf SL / RS models.

Mounting

- ⚠ For mounting the floor-fixing foot kit, place the unit with the cover cabinet resting on the floor.
- ⚠ Make sure the area where the unit is placed is clean to avoid damaging the cover cabinet.

1. Rear closing panel
2. Top part

3. Fixing screws



To install the rear closure panel to the unit:

- ▶ place the device on a horizontal plane
- ▶ remove the rear screws of the brackets
- ▶ place the rear closure panel on the back of the unit
- ▶ fit the rear closure panel to the upper part of the appliance structure
- ▶ attach the rear closure panel with the screws, previously removed
- ▶ return the appliance in a vertical position