

EXTERIOR PANEL KIT FOR BUILT-IN INSTALLATION WITH FREE OUTLET LC0578/LC0582 AND LC0692/LC0696

This instruction is an integral part of the booklet of the appliance on which the KIT is installed. Please consult this booklet for **GENERAL WARNINGS** and **FUNDAMENTAL SAFETY RULES**.

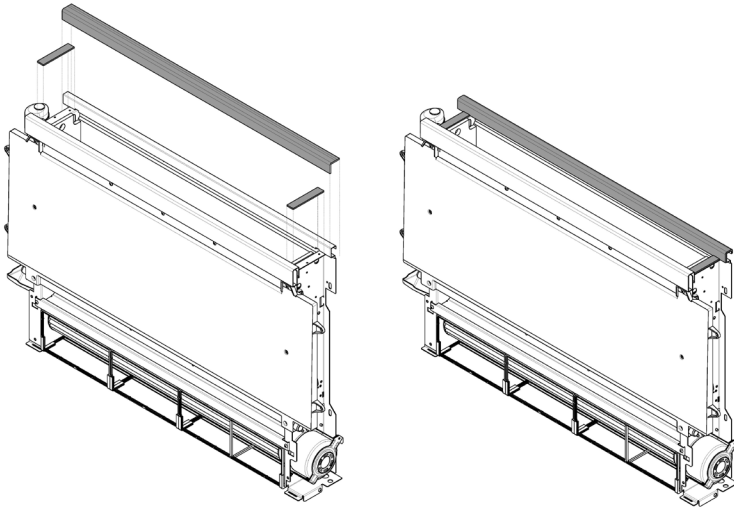
! All the operations must be performed by qualified personnel using the required **PERSONAL PROTECTIVE EQUIPMENT**.

! This kit can be installed in either a **VERTICAL POSITION WITH FREE HORIZONTAL OUTLET** or in a **HORIZONTAL POSITION WITH FREE VERTICAL OUTLET** (just for SLI). For installations in a **HORIZONTAL POSITION WITH DUCTED OUTLET**, an **EXTERIOR PANEL KIT FOR BUILT-IN CEILING INSTALLATION WITH DUCTED OUTLET LC0618/LC0622** must be purchased.

! Before installing the device, check that all necessary water and electrical connections have been set up inside the metal structure.

INSTALLATION OF DEVICE:

- Apply the 3 insulating panels supplied with the kit to the upper part of the device;



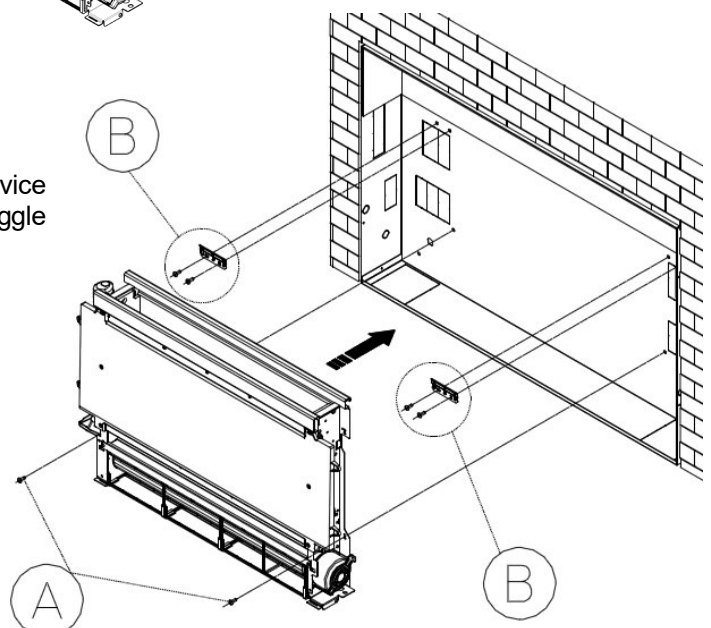
- Make 4 holes \varnothing 8mm in line with the **B** openings and insert the toggle bolts (2 for each bracket) into the wall;

- Install the 2 supporting brackets supplied with the device using the screws and washers supplied with the toggle bolts;

- Check that the brackets are properly secured by manually shifting them from left to right, up and down;

- Check that the brackets are firmly secured by shifting them manually from left to right, up and down;

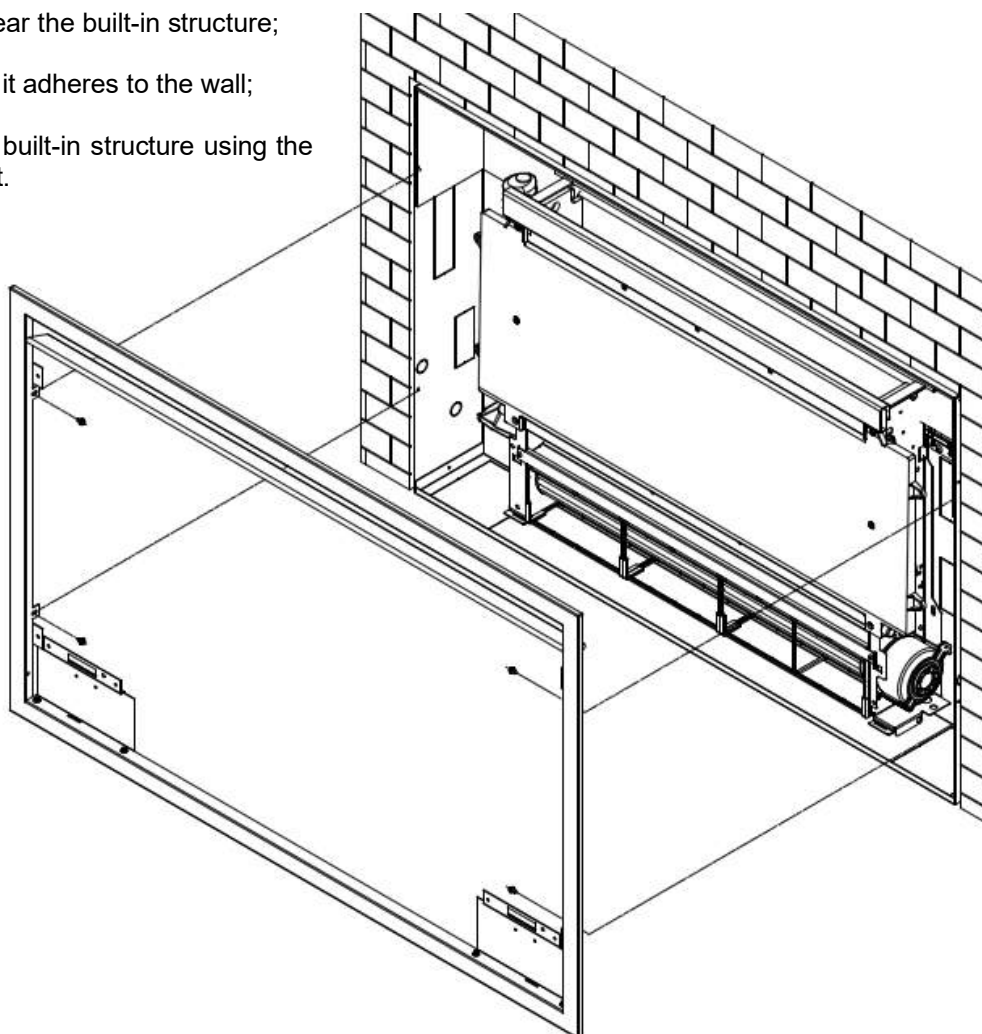
! For the horizontal ceiling version, secure the device through the 2 "**A**" holes using the screws and washers supplied with the toggle bolts.



! Before assembling the kit, the **GRILL**, **FILTER-STOPPER** and **FRONT PANEL** must be removed by unscrewing the 6 fixing screws in the lower part of the **FRONT PANEL**.

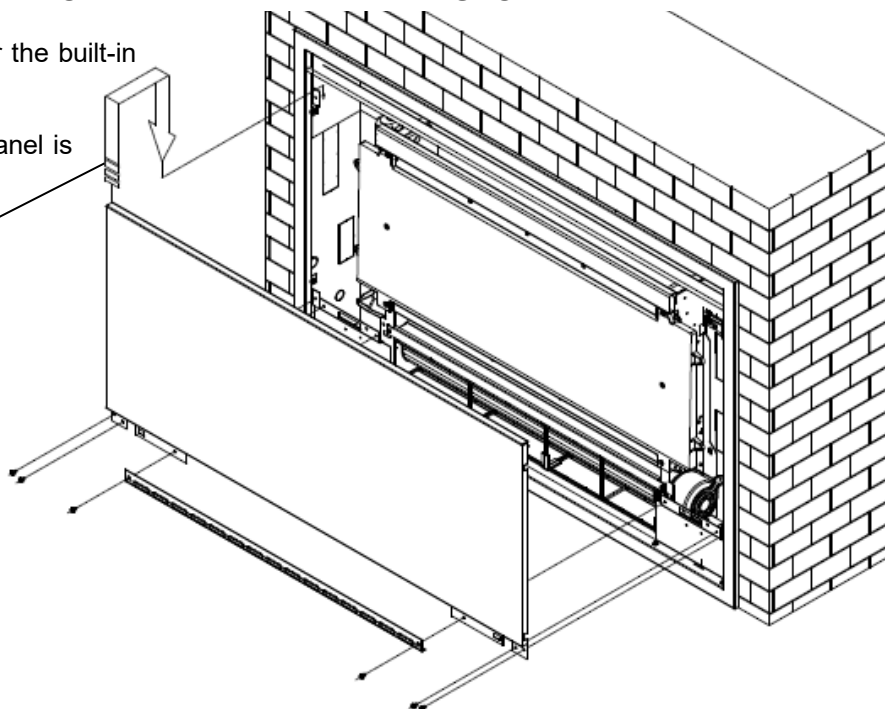
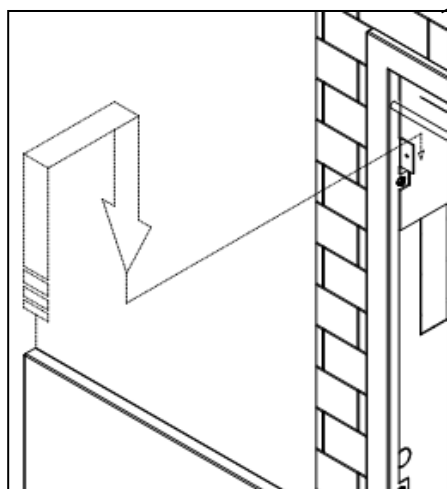
INSTALLATION OF EXTERIOR FRAME:

- Position the exterior frame near the built-in structure;
- Position it in such a way that it adheres to the wall;
- Secure it to the sides of the built-in structure using the 4 screws supplied with the kit.



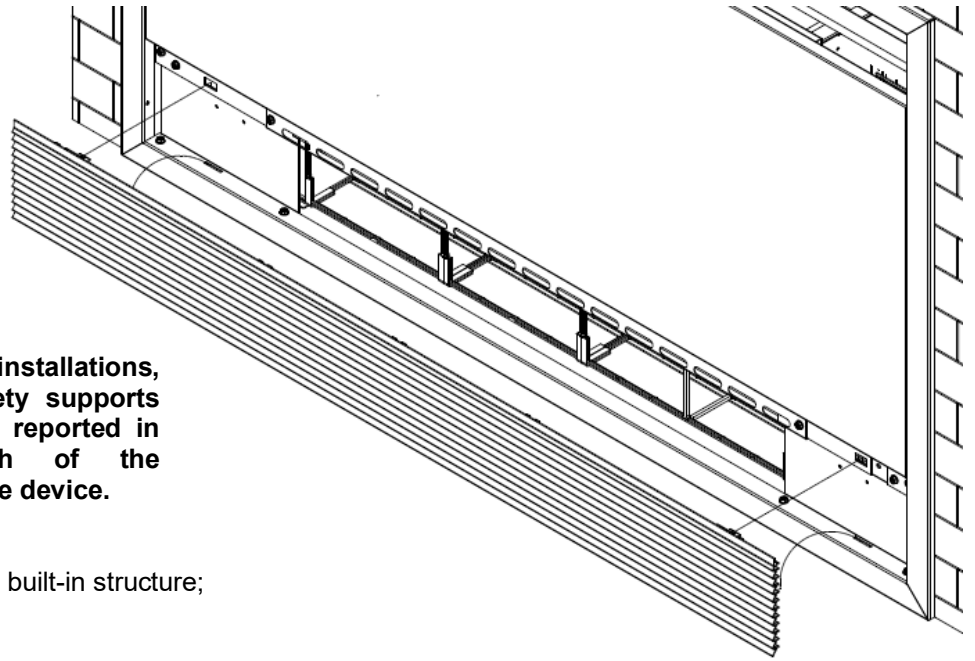
INSTALLATION OF EXTERIOR FRONT PANEL AND FILTER-STOPPER:

- Position the exterior front panel near the built-in structure;
- Ensure the upper part of the front panel is hooked onto the tabs on the frame;



- Assemble the **FILTER-STOPPER** crossbar and secure the front panel, re-screwing the 6 screws previously removed from the lower part of the panel.

INSTALLATION OF LOWER GRILL:

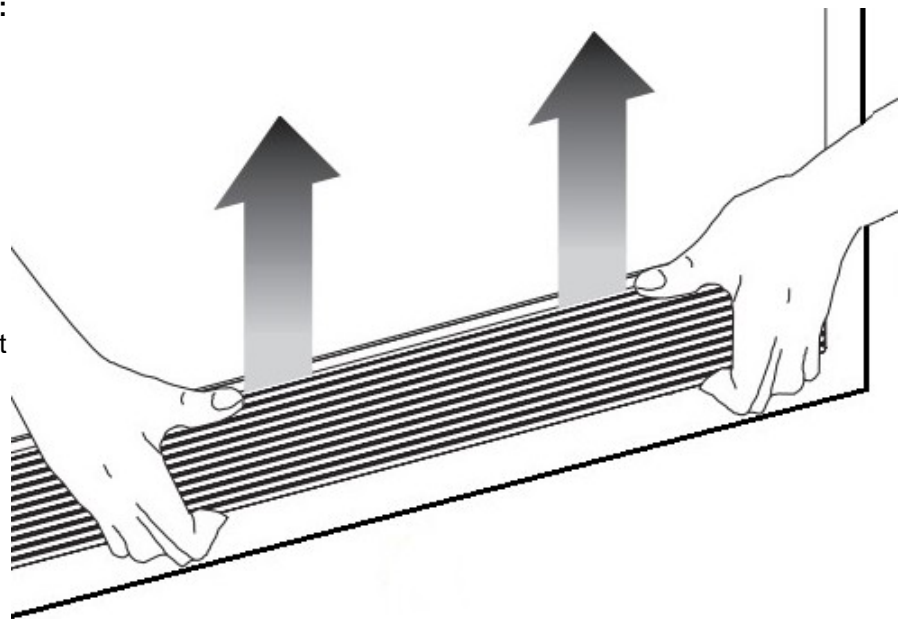


! For horizontal ceiling installations, install the front grill safety supports following the instructions reported in the relevant paragraph of the handbook supplied with the device.

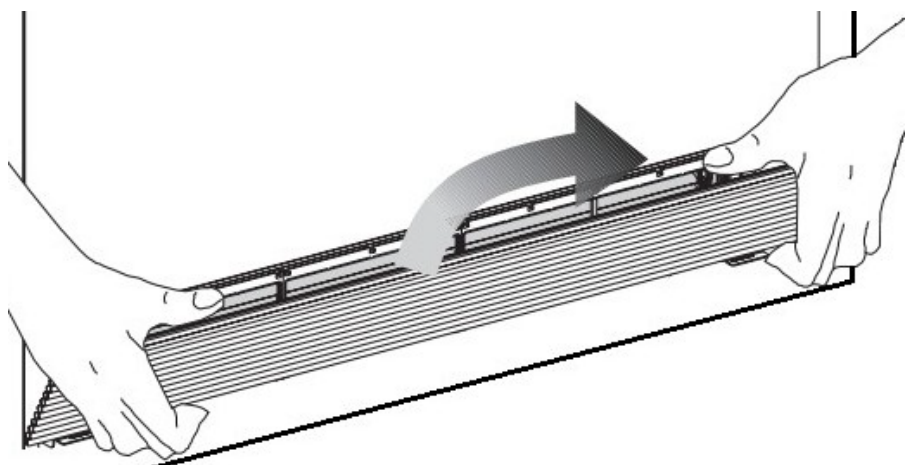
- Position the intake grill near the built-in structure;
- Insert the two tabs in the designated slots on the lower part of the frame;
- Close the grill by turning it until the upper teeth are locked in.

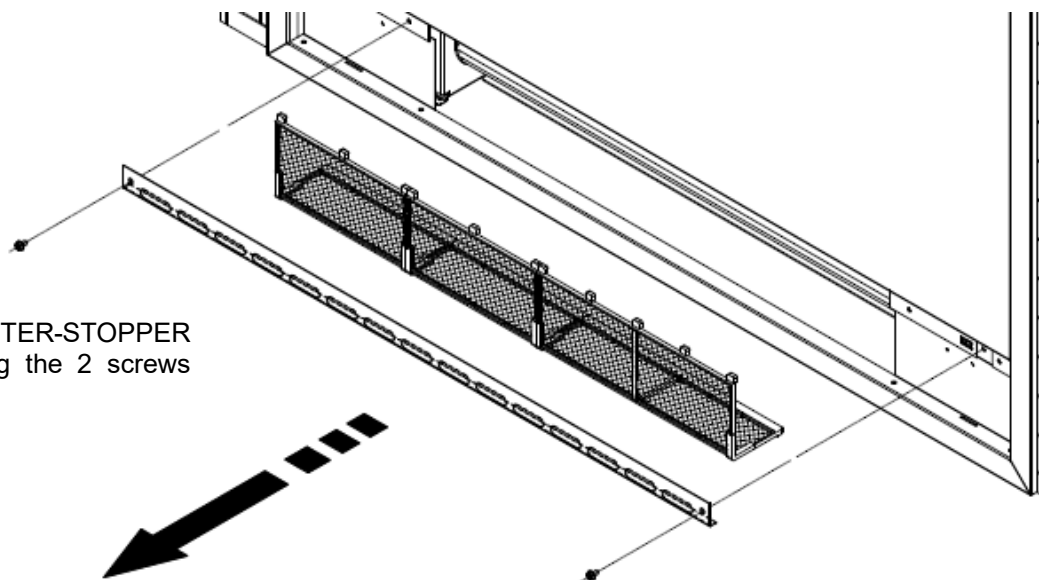
CLEANING THE NETWORK FILTER:

- Remove the front grill by lifting it slightly;



- Turn it until it completely lifts out of its housing;

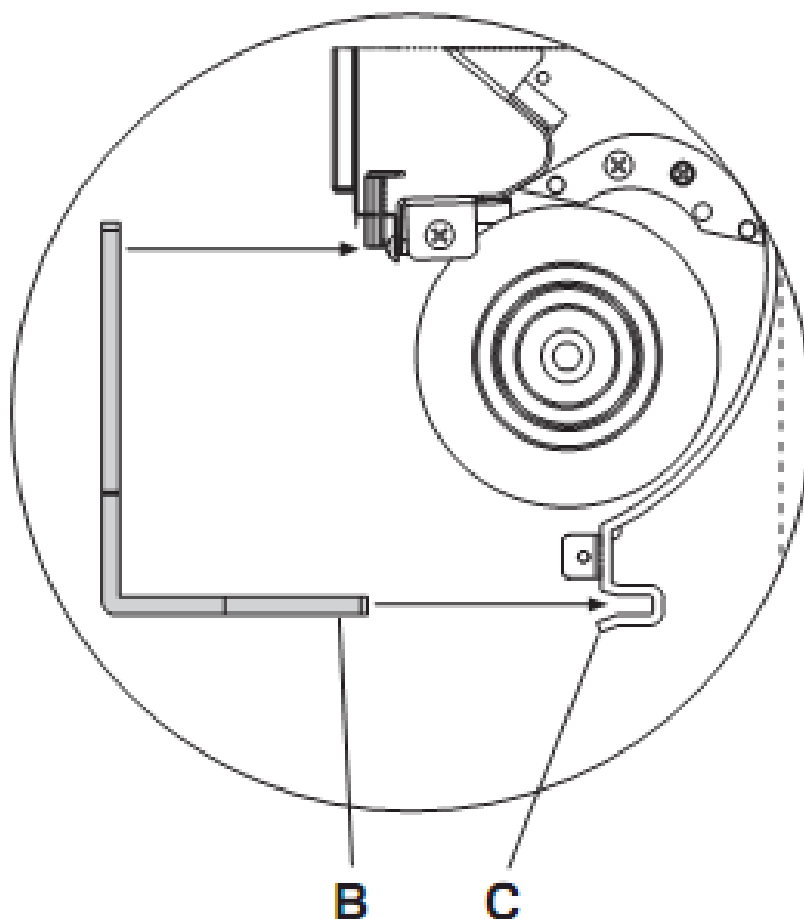




- Remove the FILTER-STOPPER crossbar by unscrewing the 2 screws using a tool;

- Extract the filters in an outward horizontal direction and carry out the cleaning operations in accordance with the maintenance instructions supplied with the device;

- Replace the filters, taking particular care to insert the lower edge (B) into its housing (C);



⚠ Re-install the FILTER-STOPPER crossbar, securing it with the 2 screws previously removed in order to guarantee the safety of the device.

- Close the grill again by turning it until the upper teeth are locked in.