

## TELESCOPIC DELIVERY PLENUM KIT

### Warnings

- ⚠ This instruction is an integral part of the booklet of the appliance on which the kit is installed. Please consult this booklet for general warnings and fundamental safety rules.
- ⚠ For a rapid and right assembly of the components follow carefully the sequences described in the various sections.
- ⚠ All the operations must be performed by qualified personnel using the required Personal Protective Equipment.

### List of accessories

#### Telescopic insulated air delivery duct:

- DB0160II - For recessed installation SLI models 200
- DB0161II - For recessed installation SLI models 400
- DB0162II - For recessed installation SLI models 600
- DB0163II - For recessed installation SLI models 800
- DB0164II - For recessed installation SLI models 1000

#### Insulated 90° curved air delivery duct:

- DB0165II - For recessed installation SLI models 200
- DB0166II - For recessed installation SLI models 400

- DB0167II - For recessed installation SLI models 600
- DB0168II - For recessed installation SLI models 800
- DB0169II - For recessed installation SLI models 1000

#### Air intake connection:

- DB0194II - For recessed installation SLI models 200
- DB0195II - For recessed installation SLI models 400
- DB0196II - For recessed installation SLI models 600
- DB0197II - For recessed installation SLI models 800
- DB0198II - For recessed installation SLI models 1000

### Kit assembly

#### Telescopic insulated air supply channel

Horizontally extendable air output conveyor, from 300 mm to 600 mm.

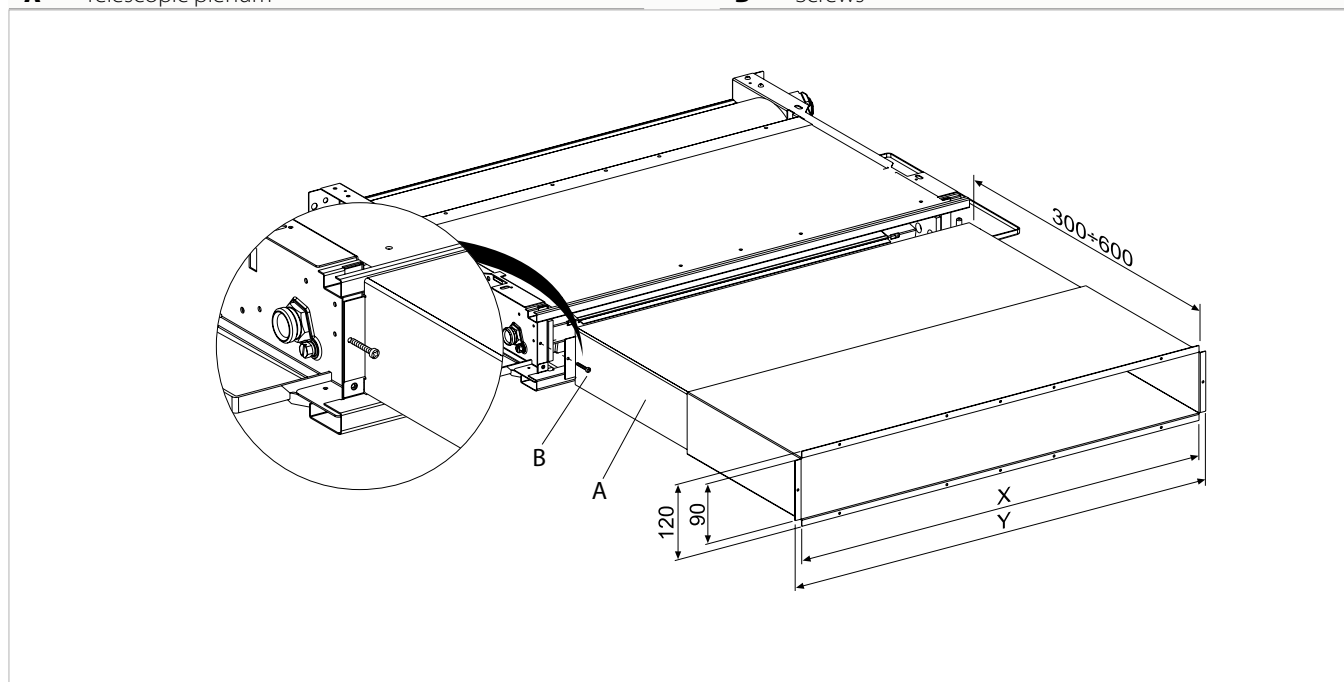
- rest the machine with the back on a flat surface
- position the telescopic plenum up against the structure

- fix the plenum with the two supplied screws.

- ⚠ Available on request are grills with aluminium finishing and a double layer of fins for the diffusion of air in the room.

**A** Telescopic plenum

**B** Screws



Y	X
335	305
535	505
735	705
935	905
1135	1105

**90° curved insulated air supply channel**

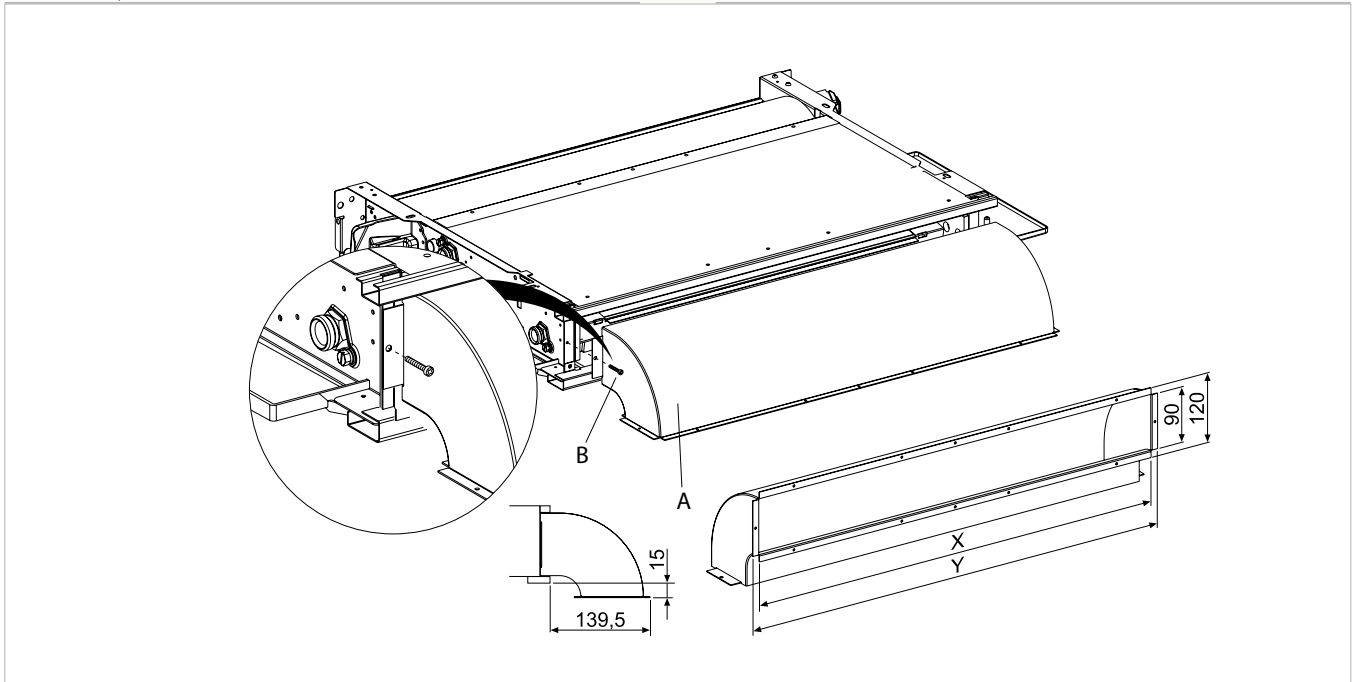
90° air outlet conveyor

- rest the machine with the back on a flat surface
- position the 90° plenum chamber up against the structure
- fix the plenum with the two supplied screws.

⚠ Available on request are grills with aluminium finishing and a double layer of fins for the diffusion of air in the room.

**A** 90° plenum chamber

**B** Screws



Y	X
335	305
535	505
735	705
935	905
1135	1105

**Air intake connection**

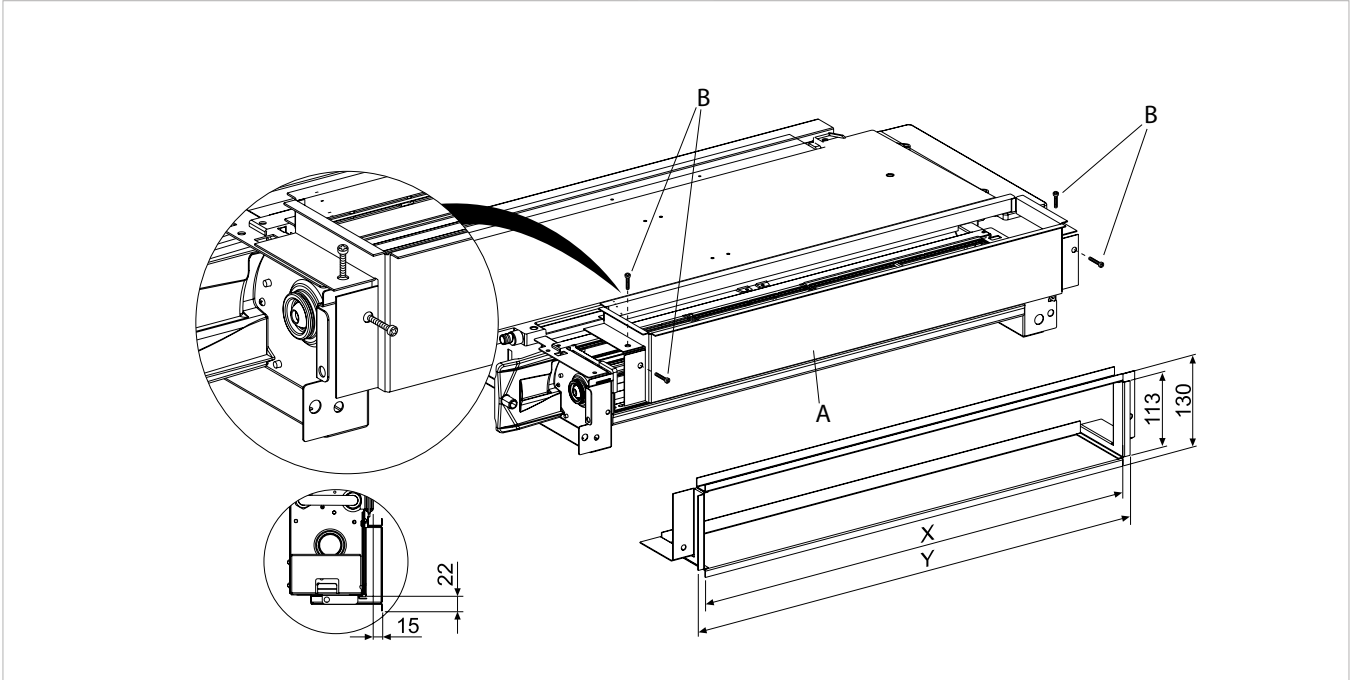
Air inlet conveyor.

- rest the machine with the back on a flat surface
- remove the anti-intrusion grille on the unit
- position the aspiration conveyor up against the structure
- fix the aspiration conveyor with the supplied screws

⚠ Aluminium grills are available on request for sucking air from the room.

**A** Aspiration conveyor

**B** Screws



Y	X
335	305
535	505
735	705
935	905
1135	1105