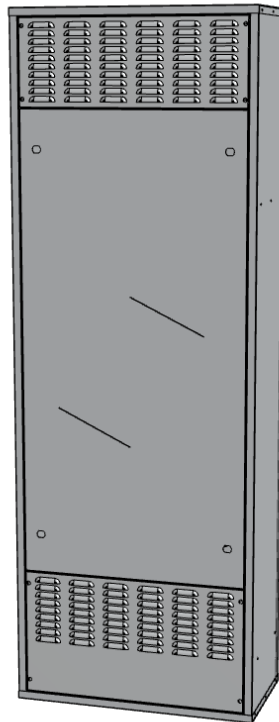


INSTALLATION, USE AND MAINTENANCE MANUAL



HRP DOMO EXT FRAMEWORK

TABLE OF CONTENTS

1	GENERAL INFORMATION	2
2	INSTALLATION	3
3	NOTES AND MAINTENANCE INFORMATION	8
	NOTES	8

1 GENERAL INFORMATION

1.1 INTRODUCTION

This manual has been drafted with the aim of making the installation and management of your purchased product as simple as possible;

By reading and taking note of the suggestions in this manual, you will obtain the best performance of the purchased product.

We would like to thank you for choosing to purchase our product.

Please read this documentation carefully before carrying out any procedures on the product.

The unit should not be installed or any work carried out on it until the manual has been read and understood in its entirety. In particular, all precautions outlined in the manual should be undertaken.

The documentation accompanying the unit must be consigned to the person responsible for the system to be stored carefully (at least 10 years) for any future assistance, maintenance or repairs.

Installation of the unit must take into account both the purely technical requirements for proper operation and any local legislation in force and specific requirements.

Ensure that when the unit is delivered, there are no obvious signs of damage caused by transportation. If this should occur, indicate it on the delivery note.

This user manual reflects the state of the art at the time of marketing and cannot be considered insufficient only because it is subsequently updated on the basis of additional information. The Manufacturer reserves the right to update manufacturing processes and manuals, with no obligation to update any priors, except in exceptional circumstances.

Contact the Manufacturer's Sales Office to receive further information or updates regarding technical documentation and for any suggestions to improve this manual. All communication received will be thoroughly examined.

1.2 BASIC SAFETY RULES



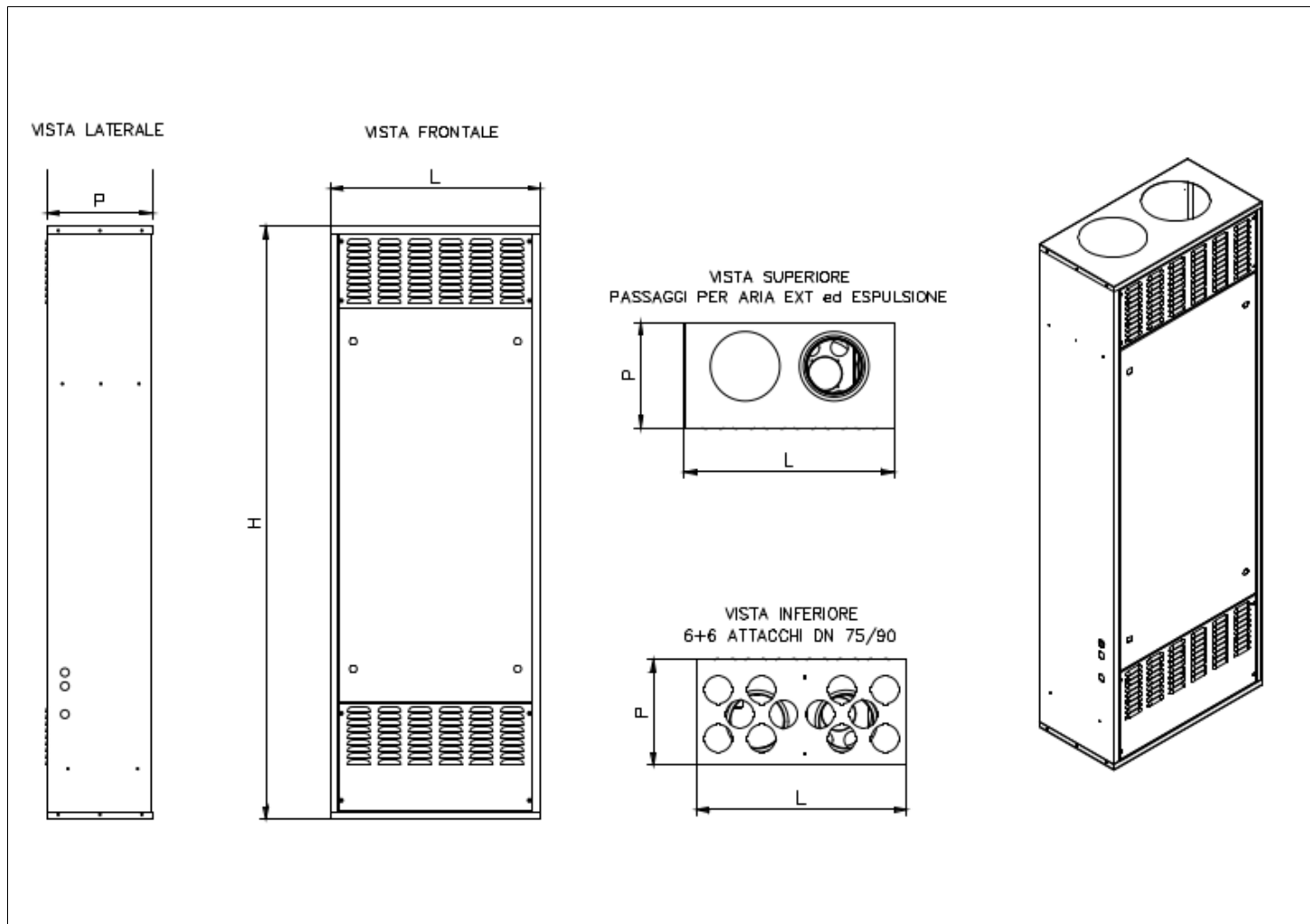
This instruction is an integral part of the booklet of the appliance on which the KIT is installed. Please consult this booklet for **GENERAL WARNINGS** and **FUNDAMENTAL SAFETY RULES**. All the operations must be performed by qualified personnel using the required **PERSONAL PROTECTIVE EQUIPMENT**.

2 INSTALLATION

2.1 FRAMEWORK DIMENSIONS



The dimensions of the framework are displayed below;



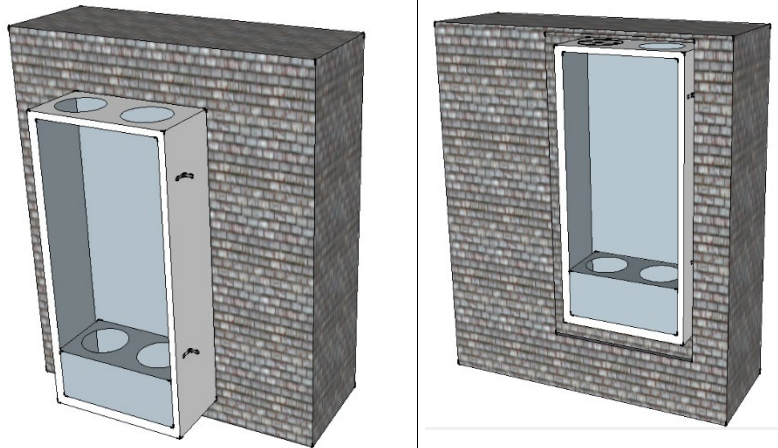
HRP DOMO EXT 20 - HRP DOMO EXT 25		
Width L	mm	600
Depth D	mm	305
Height H	mm	1700
Diameter	Ø	160
Weight	Kg	Framework 28 kg
Condensate	Ø	16

2.2 FRAMEWORK POSITIONING

FRAMEWORK POSITIONING

To position the framework:

- prepare a suitable recess to house the framework in the wall;
- position the framework inside the wall

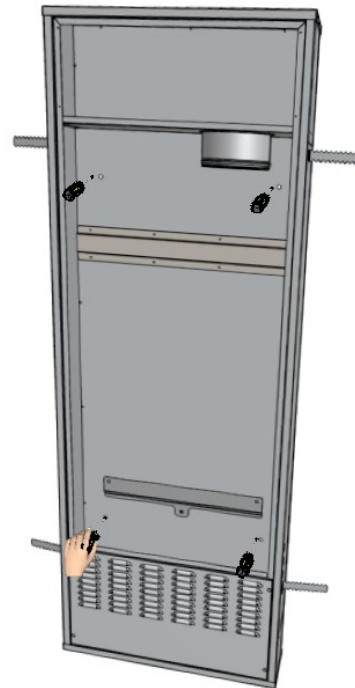


Positioning

SECURING THE FRAMEWORK

The following are possible when securing the framework:

- secure the framework using the 4 rear holes, using suitable screws and Rawlplugs that correspond with the construction materials;
- secure the framework using the 4 anchoring brackets positioned on the two sides. In this case, after positioning, the framework must be further secured with cement or other suitable products;



2.3 CONFIGURATION FOR AERAULIC CONNECTIONS

CONNECTION OF CORRUGATED TUBES TO INTERNAL ROOMS

The framework includes internal tubes for air distribution inside the building;

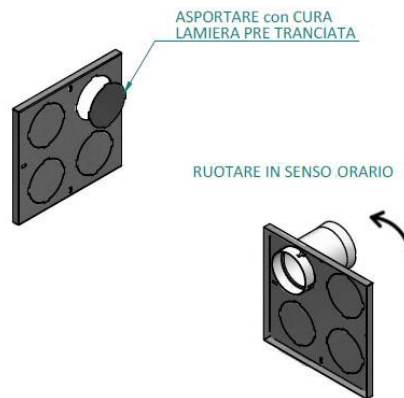
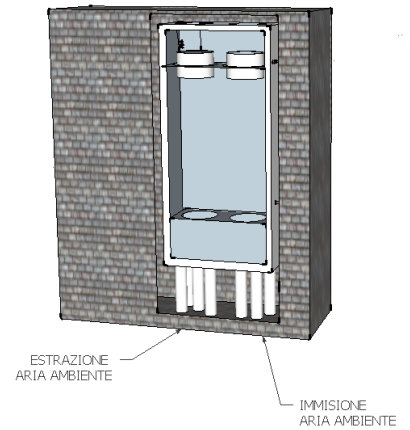
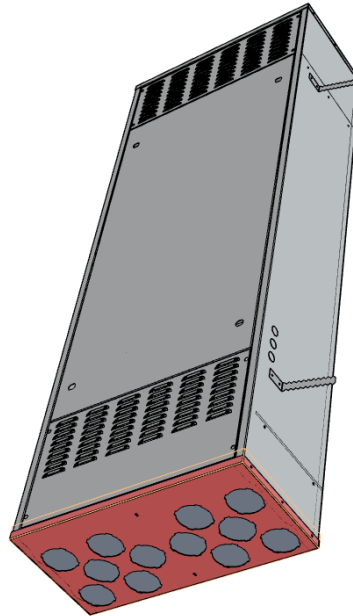
Tubes of diams. 75mm or 90mm corrugated can be installed;

Depending on the tubes used, starting adapter fittings should be purchased that determine tube cross sections during installation;

The necessary fittings should then be installed on the pre-cut holes at the base of the framework as shown in the attached image;

Connect the corrugated tube by inserting it with the appropriate gasket into the previously installed fitting;

Pay careful attention to heat loss of the tubes in the event there is no adequate insulation in the walls. An insulating jacket of adequate thickness corresponding to the climatic installation zones should therefore be included;



Positioning of room intake and air extraction tubes

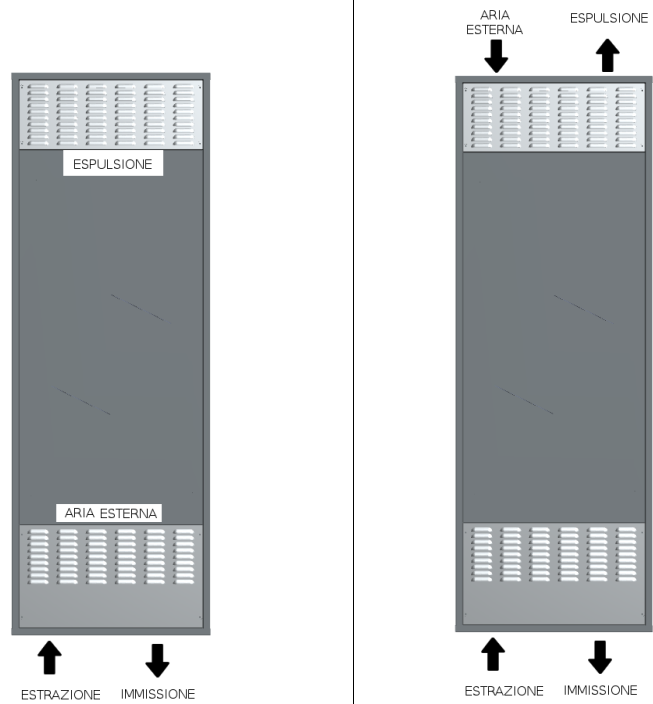
FRESH AND EXHAUST AIR CONFIGURATIONS

Two types of installation can be chosen for fresh air and exhaust air connections;

-1 The framework directly becomes the point of exhaust and intake of fresh air;

Exhaust air is sucked in at the bottom and stale air is expelled at the top;

-2 In the case of installation where the solution for direct intake and suction is not possible for reasons of current regulations or installation in open spaces with front walls or those delimited on perimeter walls, the ducts can be removed as shown in the following figures;

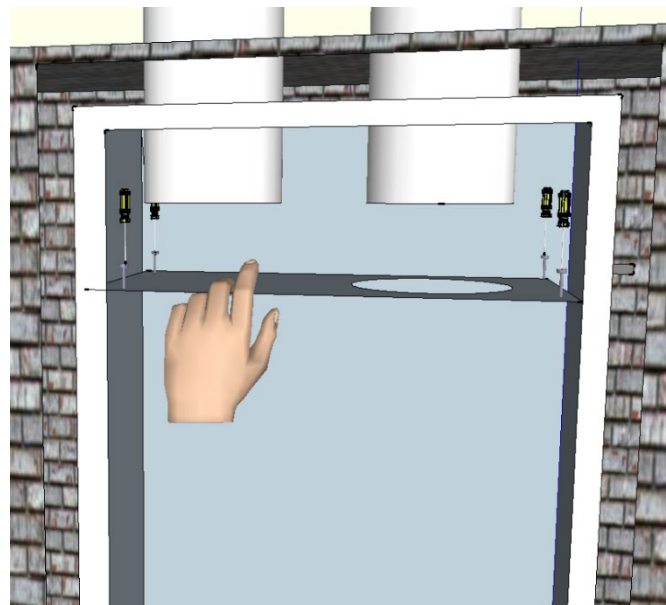


Fresh and exhaust air configurations

FRESH AND EXHAUST AIR TUBE CONNECTION

In the case of installation with fresh and exhaust air tubes, remove the upper metal plate that is for used ductless installation applications;

Remove the 4 securing screws and remove the plate;

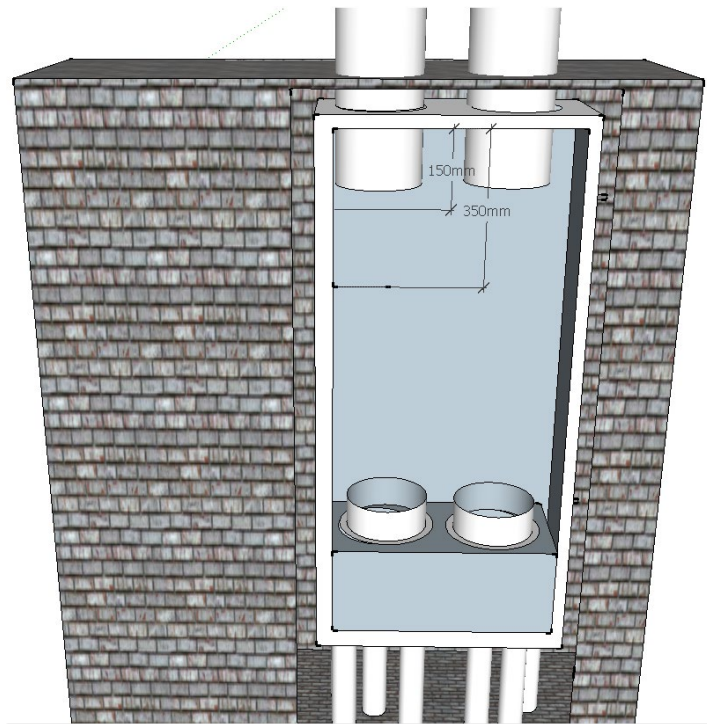


Fresh and exhaust air tube positioning

Position the fresh and exhaust ducts using the pre-treated upper 200 diam. passages so that dn160mm tubes with insulation can be used;

To facilitate connection of the unit at a later date, the ducts should be brought to a maximum of 150mm from the upper level of the framework and the last 200mm of ducts furnished with a flexible tube to facilitate connections and reduce noise;

Note: If a rigid tube is placed up to 350mm inside the framework, it will be a very complex procedure to install the unit with the tube kit;



Fresh and exhaust air tube positioning

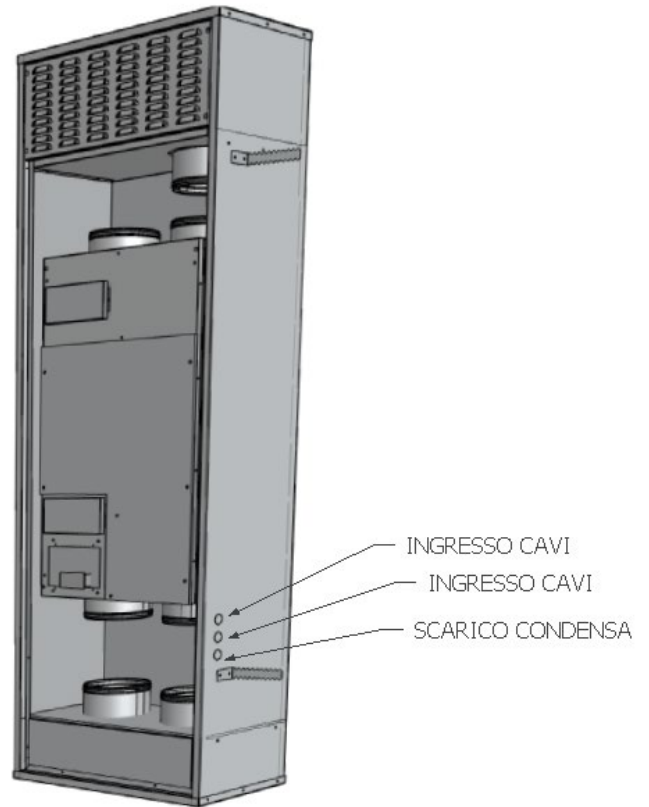
2.4 CONFIGURATION FOR ELECTRICAL CONNECTIONS AND CONDENSATE DRAIN:

ELECTRICAL CONNECTIONS AND CONDENSATE DRAIN

There are side holes on both sides with pre-cut framework for electrical cables and condensate drains;

There are two holes for the electrical cables for entry with dn24mm corrugated sheath;

A Dn24mm inlet is provided for condensate drainage;



Electrical connections and condensate drain

3 NOTES AND MAINTENANCE INFORMATION

NOTES

Technical Support Centre

The data contained in this manual may be changed by the manufacturer without prior notice.